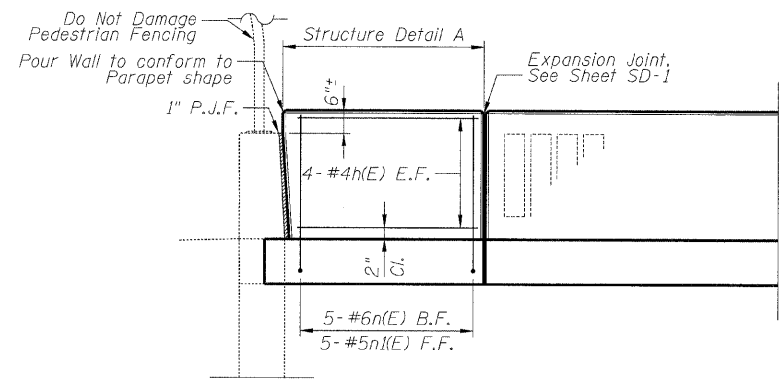
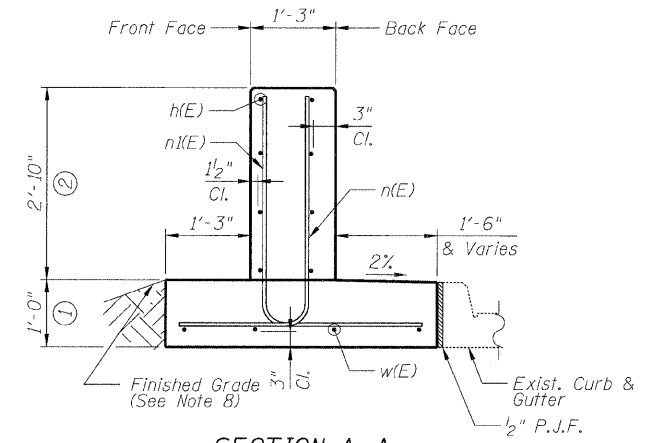


F.A.I.	SECTION	COUNTY	TOTAL SHEETS	SHEET NO.
94/90		COOK	20	12
STA.	TO STA.			
FED. ROAD DIST. NO.	ILLINOIS FED. AID PROJECT			
62994	2324.6-1P-1-2			



**ELEVATION**



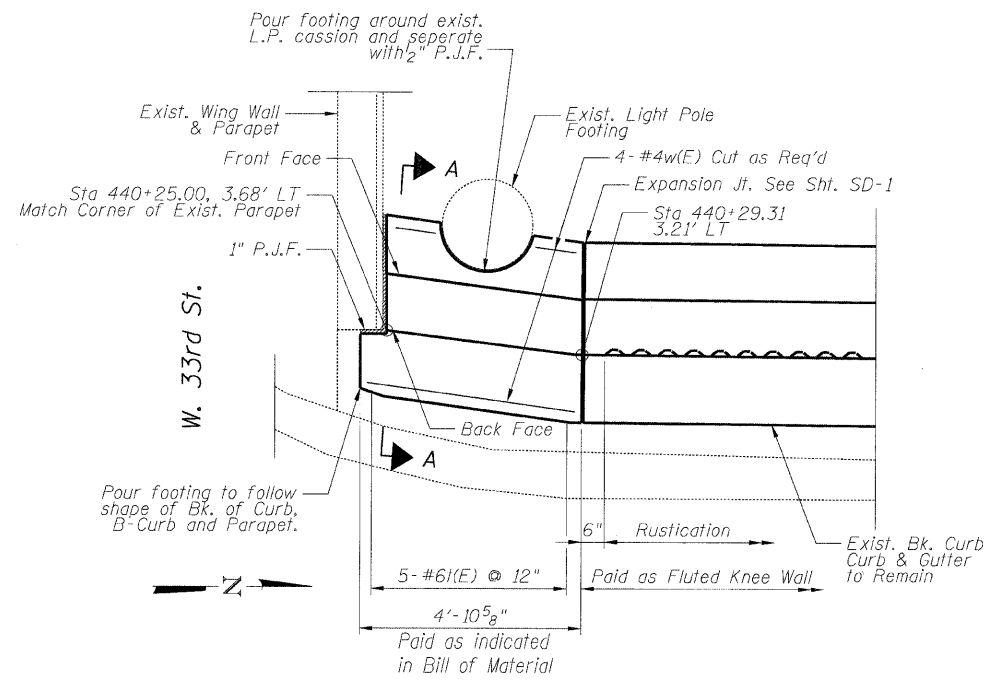
**SECTION A-A**

**DETAIL A REINFORCEMENT SCHEDULE AND BILL OF MATERIAL**

Bar	No.	Size	Length	Shape
h(E)	8	#4	4'-5"	—
n(E)	5	#6	5'-6"	L
n(E)	5	#5	5'-10"	L
w(E)	4	#4	4'-5"	—

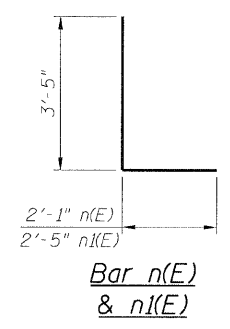
  

Item	Unit	Qty.
① Concrete Structures	Cu. Yd.	0.7
② Concrete Superstructure	Cu. Yd.	0.6
Reinforcement Bars, Epoxy Coated	Pound	110
Protective Coat	Sq. Yd.	3



**S. LA SALLE ST.**

**PLAN**



**Bar n(E) & n(E)**

**NOTES:**

- All stations and offsets measured from S. La Salle St. ☐.
- Concrete:  $f'c = 3500$  psi
- Provide California Finish on top of foundation between stem and Frontage Road. See Roadway Details.
- At locations where Fluted Knee Wall abuts a rigid Structure, a 1" thick Preformed Expansion Joint Filler conforming to the shape of the Structure shall be installed between the Wall and the Structure.
- Apply Protective Coat to top and front face of stem and top of Frontage Road side of foundation.
- For Fluted Knee Wall standard details, see Sheet SD-1
- B.F. = Back Face (Frontage Road Side)  
F.F. = Front Face (Expressway Side)  
E.F. = Each Face
- Shape finished grade as required to match existing conditions.
- P.J.F. included in cost of concrete structures.

REVISIONS	
NAME	DATE
REVISED	3-6-08

ILLINOIS DEPARTMENT OF TRANSPORTATION  
 F.A.I. 94/90 (DAN RYAN EXPRESSWAY)  
 NORTHBOUND KNEE WALLS (33RD TO 31ST ST)

**DETAIL A**

SCALE: N.T.S.      DRAWN BY: LAM  
 DATE: 03/06/08      CHECKED BY: BLU

**BOWMAN, BARRETT & ASSOCIATES INC.**  
 CONSULTING ENGINEERS  
 Chicago, Illinois  
 312.228.0100  
 www.bbandainc.com

N:\62020\94\90\312\312.SHEET (S)600\_3165W502.dwg  
 5:39:24 PM  
 3/6/2008