

Chain IL82 contains:
70 71

Beginning chain IL82 description
=====

Point 70 N 1,664,670.31 E 2,291,510.35 Sta 260+78.20

COURSE FROM 70 TO 71 $\theta = 15^\circ 05.53''$ DIST 21,239.24'

Point 71 N 1,685,909.34 E 2,291,603.59 Sta 473+17.44

=====

Ending chain IL82 description

HORIZONTAL CONTROL POINTS

POINT	NORTH	EAST	ELEVATION	CHAIN	STATION	OFFSET	DESCRIPTION
3	1681838.8851	2291567.9547	747.4553	I182	432+46.86	17.7688' LT	PIN
4	1682428.9341	2291604.1104	751.5216	I182	438+37.06	15.7962' RT	PIN

SURVEY WORK POINTS

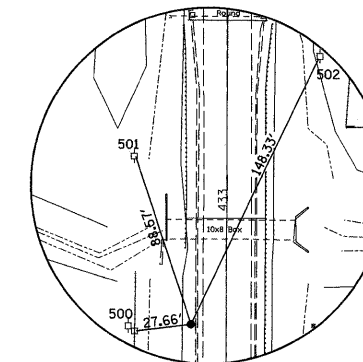
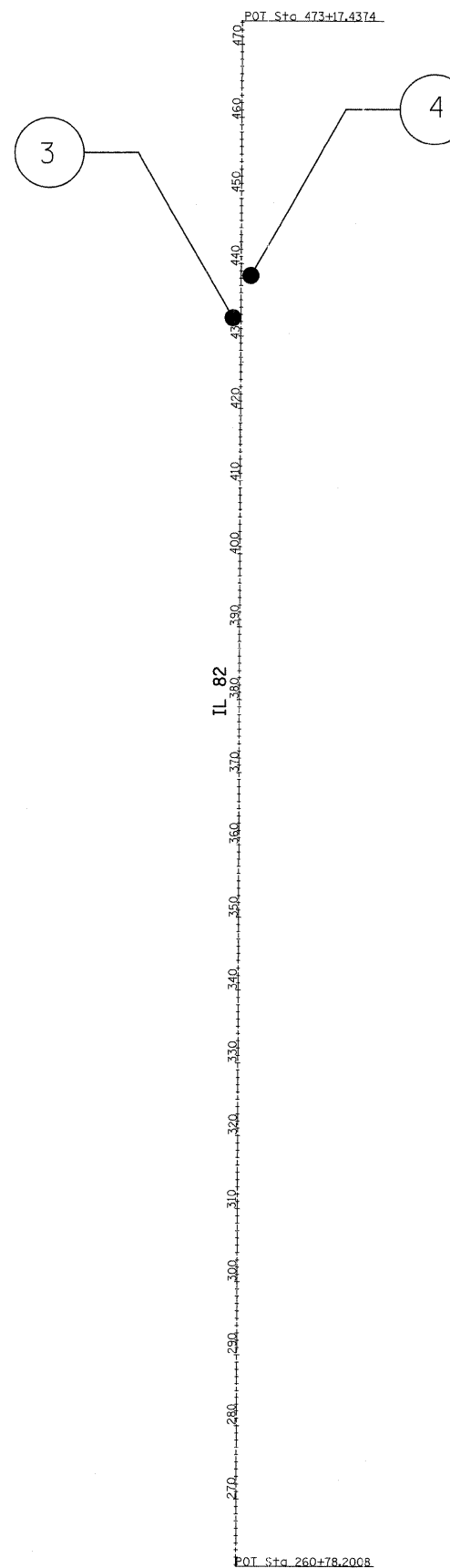
POINT	NORTH	EAST	ELEVATION	CHAIN	STATION	OFFSET	DESCRIPTION
100	1681890.7433	2291514.2828	732.6862	I182	432+98.48	71.6678' LT	SURVEY POINT
101	1681926.7187	2291176.4029	736.1298	I182	433+32.97	409.7024' LT	SURVEY POINT
102	1682015.5049	2291607.2250	742.2068	I182	434+23.65	20.7257' RT	SURVEY POINT
103	1681975.6828	2291741.6727	734.0207	I182	433+84.42	155.3470' RT	SURVEY POINT
104	1681940.6228	2291903.9644	732.0932	I182	433+50.07	317.7910' RT	SURVEY POINT
105	1681920.4184	2292107.5721	731.0549	I182	433+30.76	521.4855' RT	SURVEY POINT
106	1681966.0230	2292296.6718	731.5388	I182	433+77.20	710.3831' RT	SURVEY POINT
107	1681959.0620	2292495.0268	729.7371	I182	433+71.11	908.7668' RT	SURVEY POINT
108	1681967.1827	2292711.8814	728.6854	I182	433+80.18	1125.5836' RT	SURVEY POINT
109	1681482.0203	2291485.6276	782.1580	I182	428+89.64	98.5284' LT	SURVEY POINT

BENCH MARKS

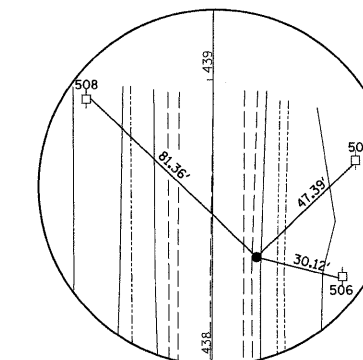
POINT	NORTH	EAST	ELEVATION	CHAIN	STATION	OFFSET	DESCRIPTION
400	1681973.2513	2291631.6797	737.3018	I182	433+81.51	45.3657' RT	R.R SPIKE IN POWER POLE
401	1682161.8169	2291542.9225	742.7562	I182	435+69.68	44.2185' LT	R.R SPIKE IN POWER POLE

REFERENCE TIES

POINT	CHAIN	STATION	OFFSET	DESCRIPTION
500	I182	432+43.39	45.2084' LT	SHINER IN POWER POLE
501	I182	433+30.76	46.1364' LT	SHINER IN POWER POLE
502	I182	433+80.80	45.9707' RT	SHINER IN POWER POLE
506	I182	438+29.79	45.0237' RT	SHINER IN POWER POLE
507	I182	438+69.98	49.8842' RT	SHINER IN POWER POLE
508	I182	438+92.88	43.3937' LT	SHINER IN POWER POLE



HORIZONTAL CONTROL POINT NO. 3



HORIZONTAL CONTROL POINT NO. 4

FILE NAME = c:\projects\p203705\d03705hvc.dgn

USER NAME = grantpm
PLOT SCALE = 100.0000' / IN.
PLOT DATE = Wed Jan 23 08:49:23 2008

DESIGNED -
DRAWN -
CHECKED -
DATE -

REVISED -
REVISED -
REVISED -
REVISED -

**STATE OF ILLINOIS
DEPARTMENT OF TRANSPORTATION**

HORIZONTAL & VERTICAL CONTROL

SCALE: SHEET NO. OF SHEETS STA. TO STA.

F.A.P. RTE.	SECTION	COUNTY	TOTAL SHEETS	SHEET NO.
634	138T	HENRY	42	11
CONTRACT NO. 64A77				
FED. ROAD DIST. NO.		ILLINOIS FED. AID PROJECT		