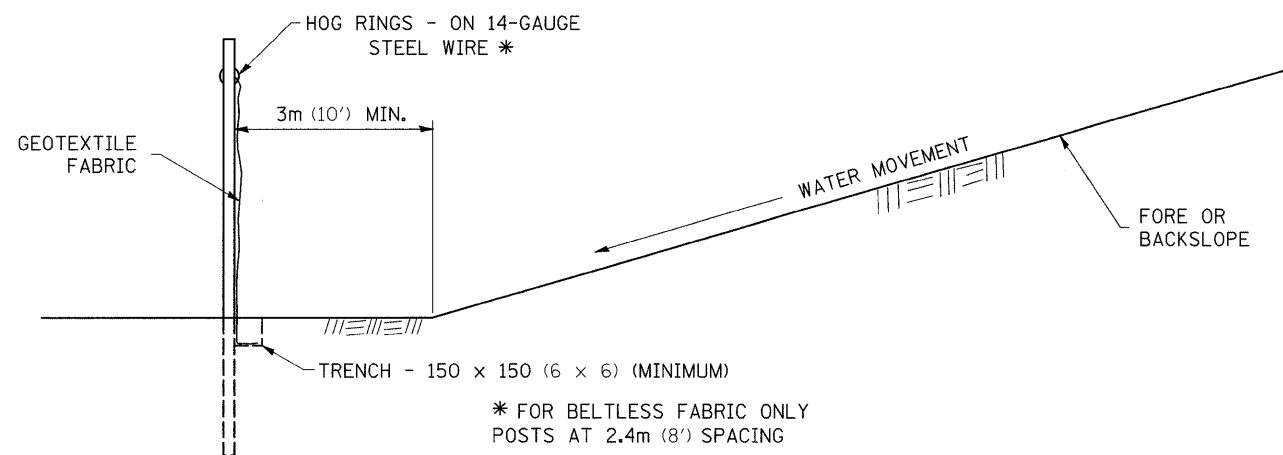
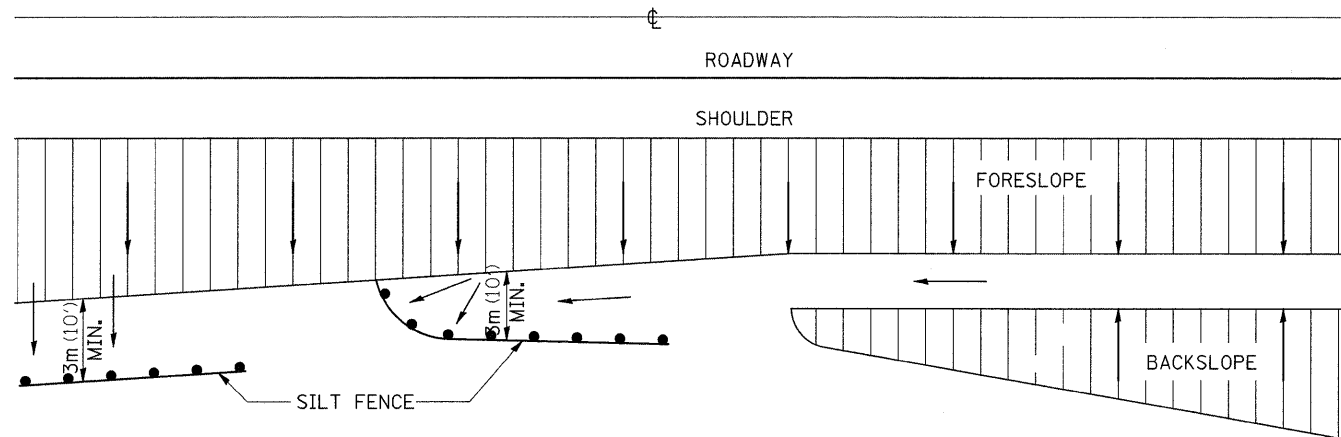


EROSION CONTROL DETAILS FOR SILT FENCE



DETAILS OF SILT FENCE

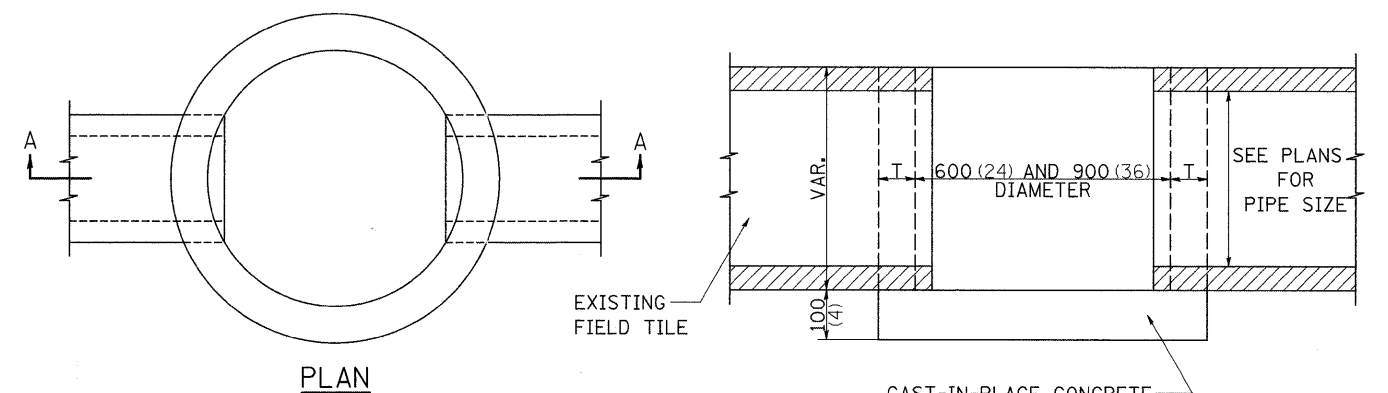
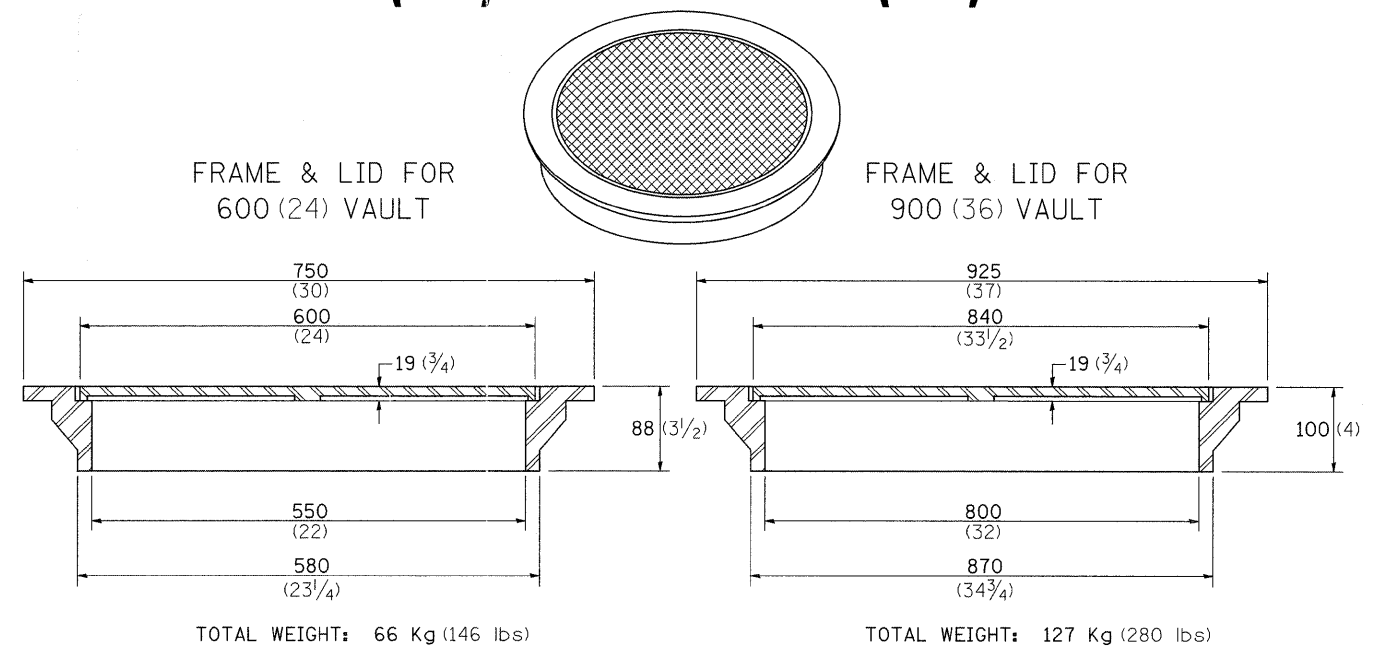
* FOR BELTLESS FABRIC ONLY
POSTS AT 2.4m (8') SPACING

ALL DIMENSIONS ARE IN MILLIMETERS (INCHES) UNLESS OTHERWISE NOTED.

REVISED - 10-22-01

EROSION CONTROL DETAILS FOR SILT FENCE 29.2

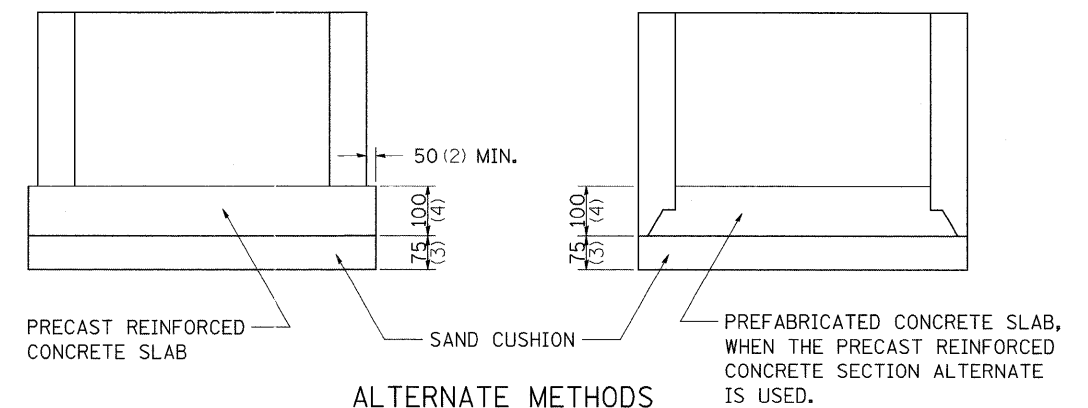
FIELD TILE JUNCTION VAULTS 600 (24) AND 900 (36) DIA.



ALTERNATE MATERIALS FOR WALLS	T
BRICK MASONRY	200 (8)
CAST-IN-PLACE CONCRETE	150 (6)
CONCRETE MASONRY UNIT	125 (5)
PRECAST REINFORCED CONCRETE SECTION	75 (3)

NOTE: THE FRAME AND LID IS REQUIRED ON ALL JUNCTION VAULTS.

ALL DIMENSIONS ARE IN MILLIMETERS (INCHES) UNLESS OTHERWISE NOTED.



ALTERNATE METHODS

REVISED - 5-03-94

REVISED -	REGION 2 / DISTRICT 2 STANDARD	F.A.P. RTE.	SECTION	COUNTY	TOTAL SHEETS	SHEET NO.
REVISED -	SCALE: 5.0000' / IN. SHEET NO. OF SHEETS STA. TO STA.	634	138T	HENRY	42	21
REVISED -		FED. ROAD DIST. NO. ILLINOIS FED. AID PROJECT				CONTRACT NO. 64A77

PLOT DATE = Wed Jan 23 08:56:07 2008

FIELD TILE JUNCTION VAULTS 600 (24) AND 900 (36) DIA. 30.2