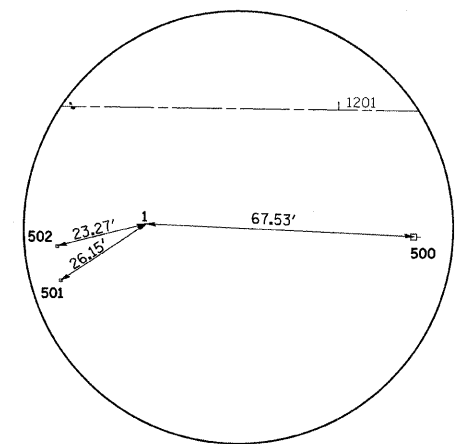
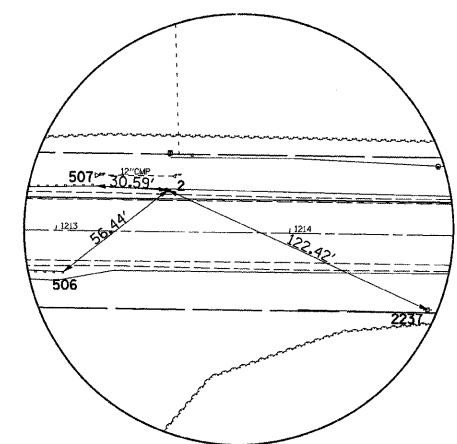


F.A.P. RTE.	SECTION	COUNTY	TOTAL SHEETS	SHEET NO.
17	15T-2	CARROLL	71	17
STA.		TO STA.		
FED. ROAD DIST. NO.		ILLINOIS FED. AID PROJECT		

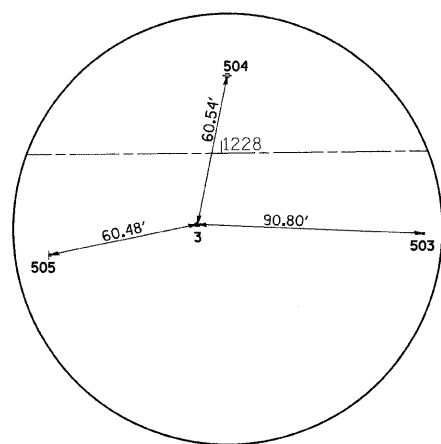
HORIZONTAL & VERTICAL CONTROL



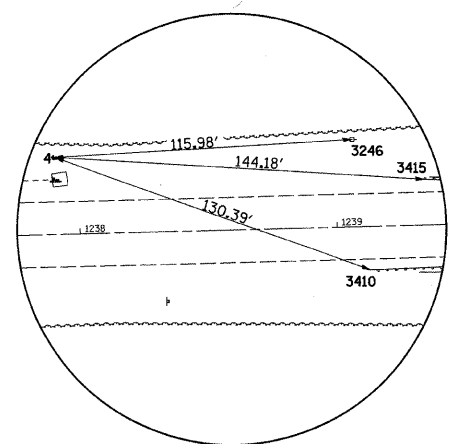
HORIZONTAL CONTROL POINT NO. 1



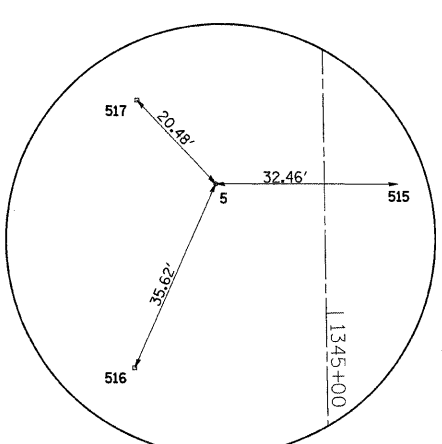
HORIZONTAL CONTROL POINT NO. 2



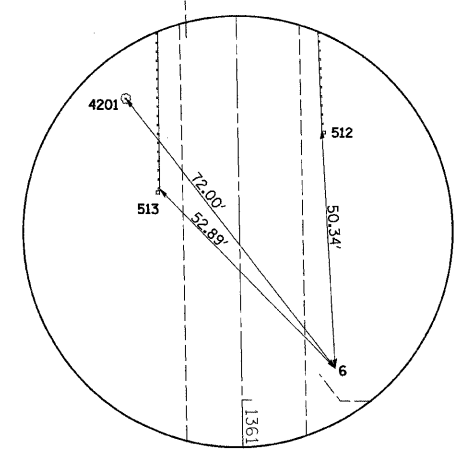
HORIZONTAL CONTROL POINT NO. 3



HORIZONTAL CONTROL POINT NO. 4



HORIZONTAL CONTROL POINT NO. 5



HORIZONTAL CONTROL POINT NO. 6

CONTROL POINT NO. 2
BENCH MARK # 401
CONTROL POINT NO. 1

NGS MONUMENT # 455
CONTROL POINT NO. 3
CONTROL POINT NO. 4

CONTROL POINT NO. 5
CONTROL POINT NO. 6

SHANNON RTE

HARVEST RD.

REFERENCE TIES				
POINT	CHAIN	STATION	OFFSET	DESCRIPTION
500	IL64	1201+19.3163	31.3855' RT	POWER POLE
501	IL64	1200+30.5154	43.4428' RT	FENCE POST
502	IL64	1200+29.5012	34.8143' RT	FENCE POST
503	IL64	1228+80.7239	32.8917' RT	FENCE POST
504	IL64	1228+02.6414	31.032' LT	POWER POLE
505	IL64	1227+30.9105	40.0453' RT	SIGN
506	IL64	1213+03.7698	17.6512' RT	GUARDRAIL STEEL PLATE BEAM, END
507	IL64	1213+17.2446	19.9064' LT	GUARDRAIL STEEL PLATE BEAM, END
508	IL64	1213+48.3566	33.4121' LT	R.O.W. MARKER, BACK
509	IL64	1237+31.5863	29.4658' LT	POWER POLE
510	IL64	1237+62.7553	33.208' LT	PROPERTY CORNER, PIN
511	IL64	1237+90.9823	21.1615' LT	1.5' PIPE CULVERT, END
512	IL64	1360+43.9485	18.1549' LT	GUARDPOST
513	IL64	1360+56.0655	17.0881' RT	GUARDPOST
514	IL64	1360+10.5137	28.3457' LT	TREE DECIDUOUS
515	IL64	1344+77.3641	13.0646' LT	PAVEMENT
516	IL64	1345+09.1103	34.2919' RT	FENCE POST
517	IL64	1344+61.6465	33.2142' RT	FENCE POST, CORNER

BENCH MARKS							
POINT	NORTH	EAST	ELEVATION	CHAIN	STATION	OFFSET	DESCRIPTION
401	1977954.4880	2408464.1200	932.6800	IL64	1200+51.8546	28.3305' RT	POWER POLE
455	1978048.8220	2411063.7220	932.4930	IL64	1227+19.6250	98.2152' LT	NGS MONUMENT

CURVE POINT NUMBERS					
CHAIN	CURVE	PI	CC	PC	PT
IL64	200	200	201	202	203
IL64	210	210	211	212	213
IL64	220	220	221	222	223
IL64	230	230	231	232	233
IL64	240	240	241	242	243
IL64	250	250	251	252	253
IL64	260	260	261	262	263
IL64	270	270	271	272	273
IL64	280	280	281	282	283

BENCH MARKS							
POINT	NORTH	EAST	ELEVATION	CHAIN	STATION	OFFSET	DESCRIPTION
7	1978020.7240	2409543.5930	909.2300	IL64	1211+97.8643	53.7745' LT	NAIL
8	1977909.1770	2409466.8160	909.0310	IL64	1211+22.8033	58.9344' RT	NAIL
9	1975467.8710	2421836.5880	933.7850	IL64	1359+37.0115	82.9552' LT	NAIL
10	1975481.7850	2421571.9870	928.1250	IL64	1359+18.8534	181.3884' RT	NAIL

HORIZONTAL CONTROL POINTS							
POINT	NORTH	EAST	ELEVATION	CHAIN	STATION	OFFSET	DESCRIPTION
1	1977956.1660	2408396.4610	931.4030	IL64	1200+51.8546	28.3305' RT	GPS CONTROL POINT
2	1977982.4570	2409692.7290	913.9350	IL64	1213+47.5685	17.7942' LT	GPS CONTROL POINT
3	1977922.9870	2411135.1920	932.1630	IL64	1227+90.1443	28.2043' RT	GPS CONTROL POINT
4	1978003.4030	2412134.4590	926.4960	IL64	1237+90.7340	29.7641' LT	GPS CONTROL POINT
5	1976926.2980	2421710.8200	977.2410	IL64	1344+76.7542	19.3938' RT	GPS CONTROL POINT
6	1975310.2600	2421775.9190	940.0460	IL64	1360+93.6287	19.7649' LT	GPS CONTROL POINT

NAME	DATE	ILLINOIS DEPARTMENT OF TRANSPORTATION
SCALE:	VERT. HORIZ.	DRAWN BY
DATE		CHECKED BY

HORIZONTAL & VERTICAL CONTROL

PLOT DATE = Mon Jan 28 07:53:44 2008
FILE NAME = C:\p\projects\2007\886\887\886hvc.dgn
PLOT SCALE = 50.0000 / IN.
USER NAME = henncke