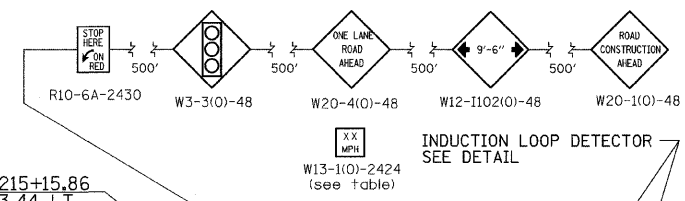
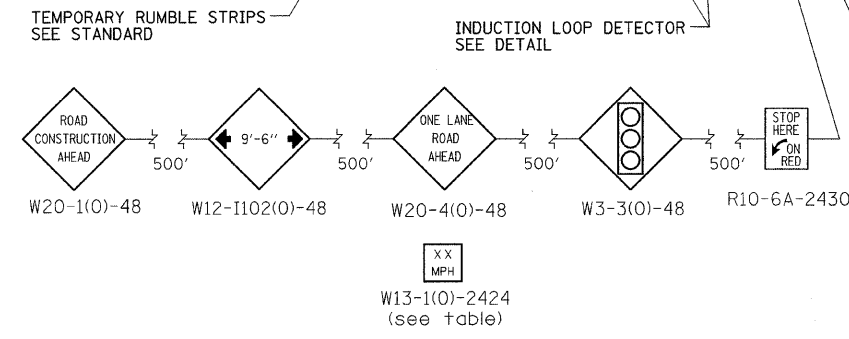
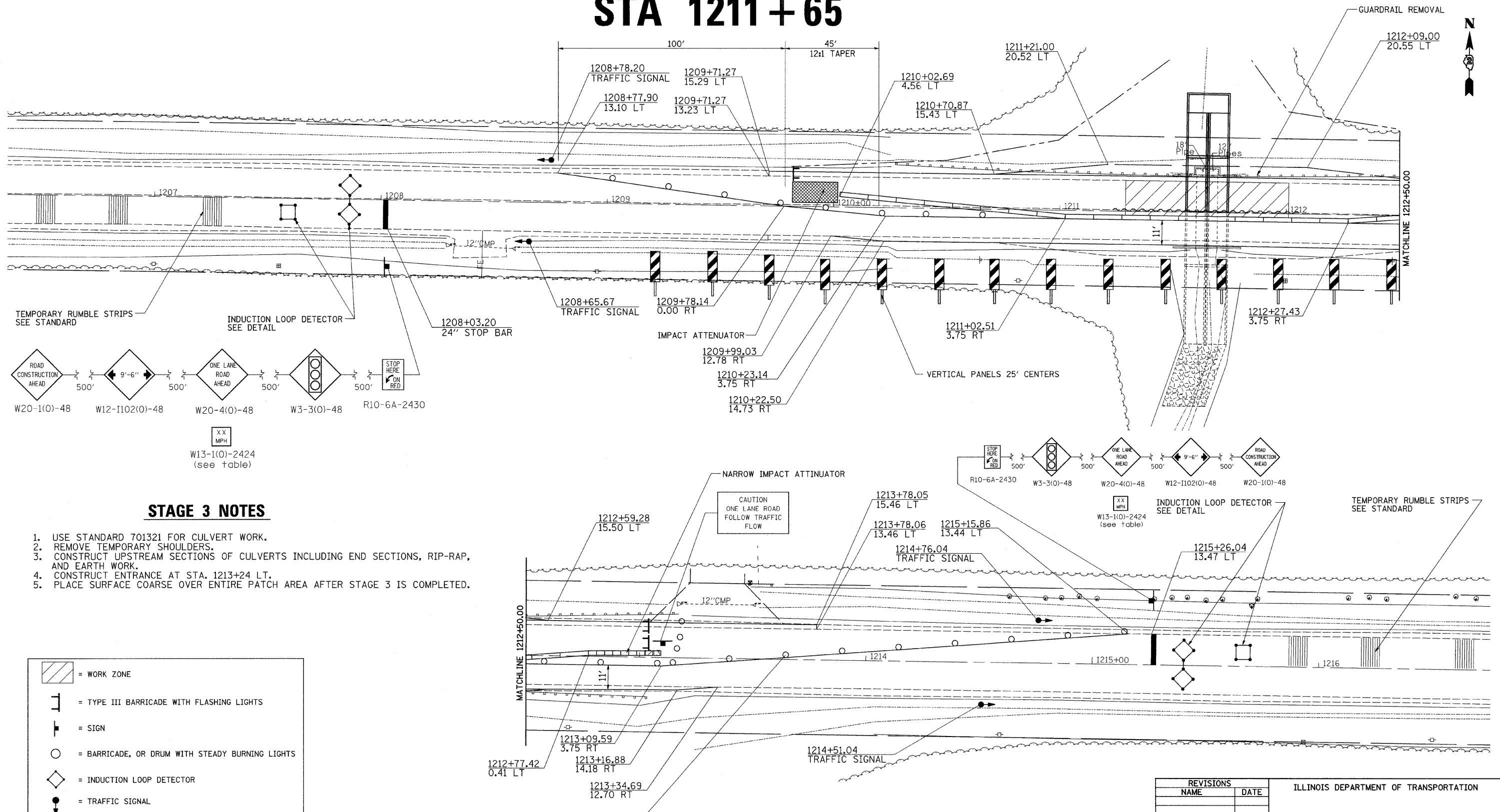


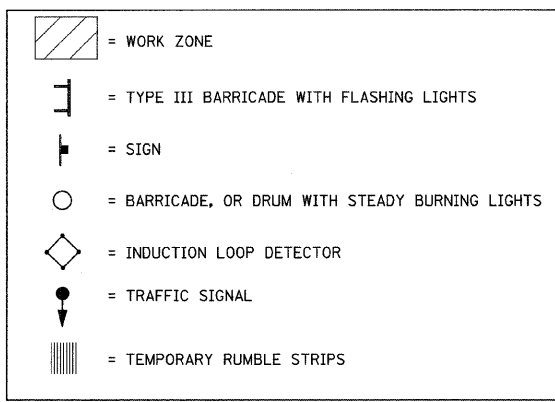
F.A.P. RTE.	SECTION	COUNTY	TOTAL SHEETS	SHEET NO.
17	15T-2	CARROLL	71	25
STA.		TO STA.		
FED. ROAD DIST. NO.		ILLINOIS FED. AID PROJECT		

# STAGE 3 STA 1211+65



### STAGE 3 NOTES

1. USE STANDARD 701321 FOR CULVERT WORK.
2. REMOVE TEMPORARY SHOULDERS.
3. CONSTRUCT UPSTREAM SECTIONS OF CULVERTS INCLUDING END SECTIONS, RIP-RAP, AND EARTH WORK.
4. CONSTRUCT ENTRANCE AT STA. 1213+24 LT.
5. PLACE SURFACE COARSE OVER ENTIRE PATCH AREA AFTER STAGE 3 IS COMPLETED.



REVISIONS	
NAME	DATE

ILLINOIS DEPARTMENT OF TRANSPORTATION

SCALE: VERT. \_\_\_\_\_  
HORIZ. \_\_\_\_\_

DATE \_\_\_\_\_

DRAWN BY \_\_\_\_\_  
CHECKED BY \_\_\_\_\_

PLOT DATE = Mon Jan 28 07:52:34 2008  
FILE NAME = C:\p\projects\p257\9865\_487\8865.dgn  
PLOT SCALE = 28.0000' / 1" IN.  
USER NAME = hansenk