

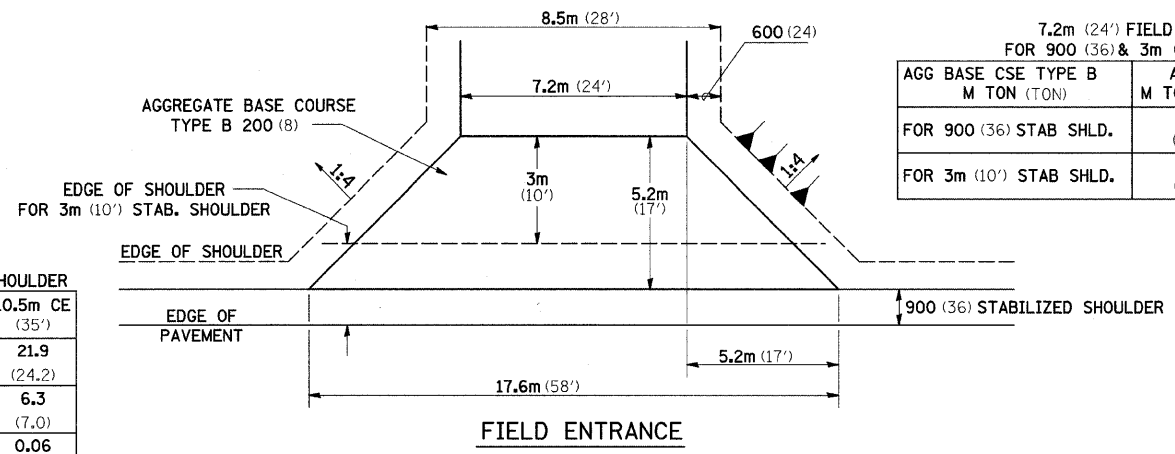
F.A.P. RTE.	SECTION	COUNTY	TOTAL SHEETS	SHEET NO.
17	15T-2	CARROLL	71	57
STA.		TO STA.		
FED. ROAD DIST. NO.		ILLINOIS FED. AID PROJECT		

HOT-MIX ASPHALT APPROACHES & MAILBOX TURNOUTS

7.2m (24') FIELD ENTRANCE FOR 900 (36) & 3m (10') SHOULDERS

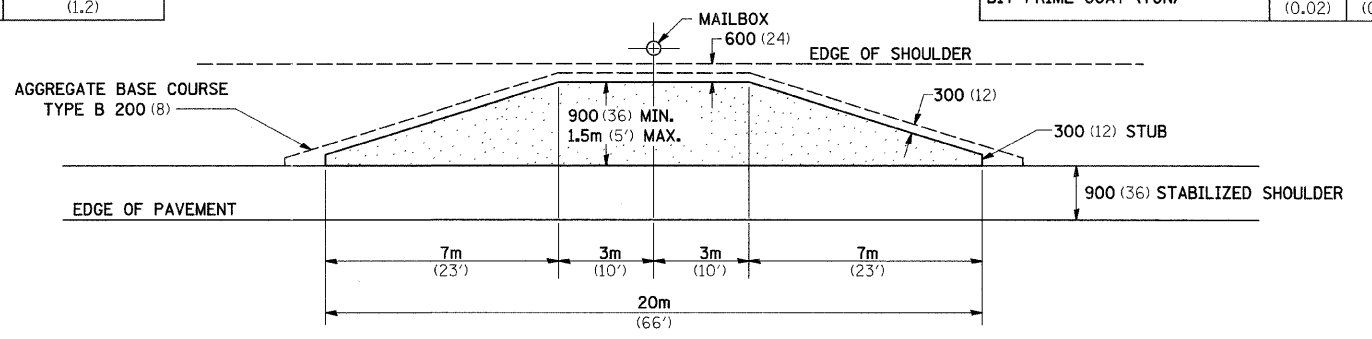
AGG BASE CSE TYPE B M TON (TON)	APRON M TON (TON)	PER METER (FOOT) ADD. RUN
FOR 900 (36) STAB SHLD.	31.3 (35.3)	3.5 (1.2)
FOR 3m (10') STAB SHLD.	14.9 (17.2)	3.5 (1.2)

	900 (36)	1.5m (5')
AGG BASE CSE T-B (TON)	10.7 (11.8)	14.4 (15.9)
INC BIT SURF 50 (2) (TON)	2.2 (2.4)	3.4 (3.8)
BIT PRIME COAT (TON)	0.02 (0.02)	0.04 (0.04)



PE & CE FOR 3m (10') STAB. SHOULDER

	3.6m PE (12')	10.5m CE (35')
AGG BASE CSE (TON)	11.4 (12.6)	21.9 (24.2)
INC HMA SURF (TON)	3.1 (3.4)	6.3 (7.0)
PRIME (TON)	0.04 (0.04)	0.06 (0.07)

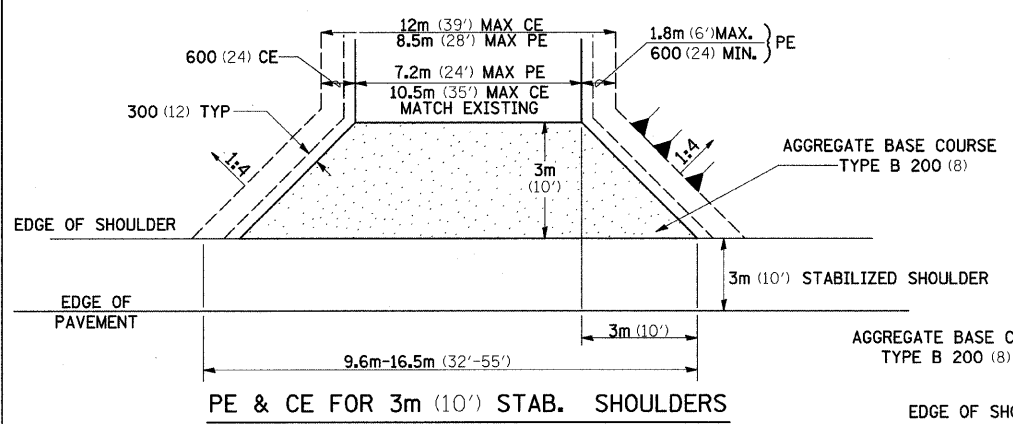


MAILBOX TURNOUT

10.5m (35') COMMERCIAL ENTRANCE FOR 900 (36) STAB. SHOULDER

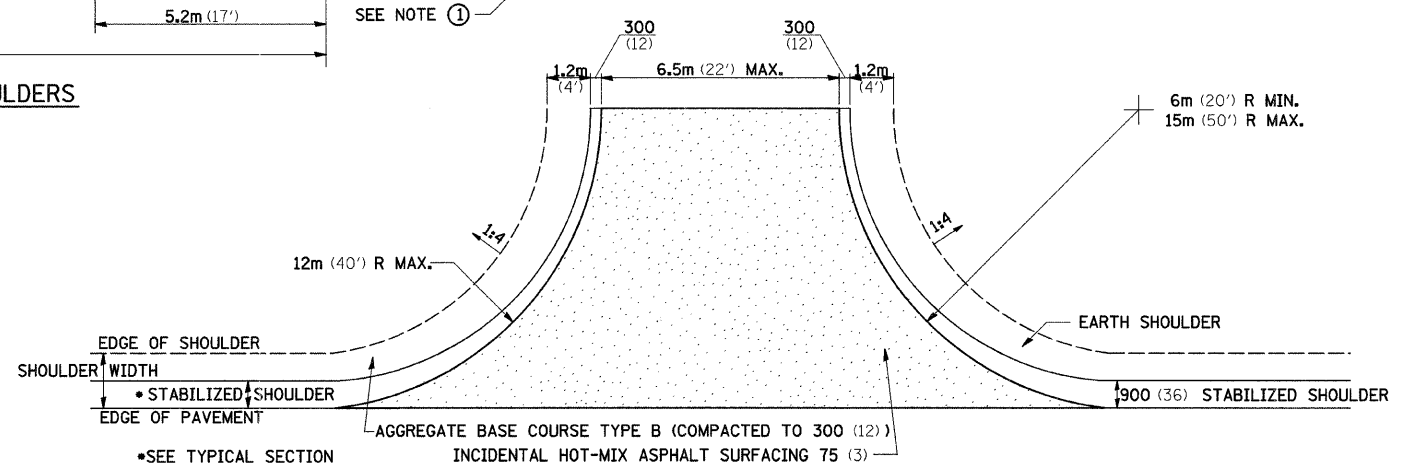
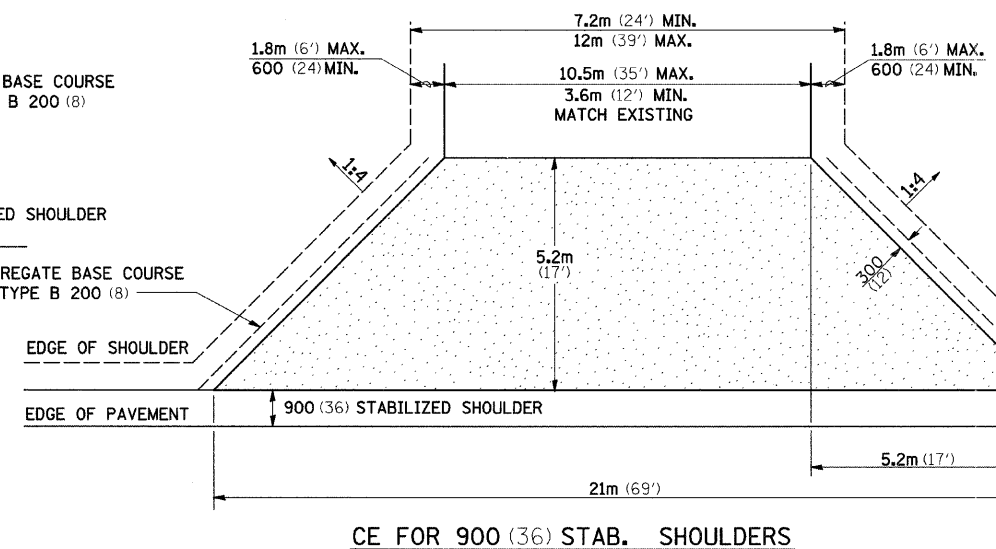
	900 (36)	1.5m (5')	PER METER ENTR (FOOT)
AGG BASE CSE T-B (TON)	47.4 (52.2)	48.7 (53.7)	5.7 (1.9)
INC HMA SURF 50 (2) (TON)	13.4 (14.8)	14.0 (15.4)	1.6 (0.55)
BIT PRIME COAT (TON)	0.14 (0.15)	0.15 (0.16)	0.018 (0.006)

- NOTE**
- ALL ENTRANCES TO BE CONSTRUCTED WITH AN 8" AGGREGATE BASE COURSE, TYPE B AND WITH A 2" INCIDENTAL HOT-MIX ASPHALT SURFACING, UNLESS OTHERWISE NOTED.
 - TURNOUTS ARE TO BE CONSTRUCTED ON THE APPROACH SIDE OF ALL PE & CE REGARDLESS IF A MAILBOX IS PRESENT.
 - ALL PE & CE ARE TO BE SURFACED TO RIGHT OF WAY LINE. AREA BEHIND RIGHT OF WAY SHALL MATCH EXISTING SURFACE.
 - FE ARE TO BE AGGREGATE TO RIGHT OF WAY OR TOUCH DOWN WHICH EVER IS GREATER.
 - QUANTITIES SHOWN ARE FOR NEW CONSTRUCTION.
 - ALL DIMENSIONS ARE IN MILLIMETERS (INCHES) UNLESS OTHERWISE NOTED.



3.6m (12') PRIVATE ENTRANCE FOR 900 (36) STAB. SHOULDER

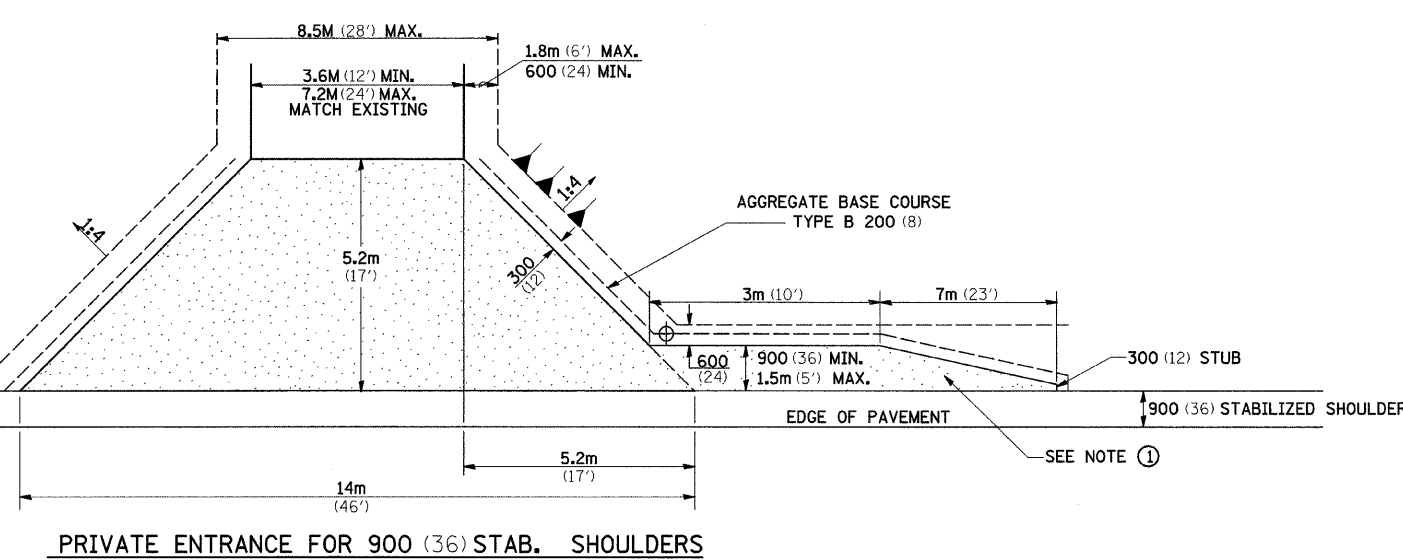
	900 (36)	1.5m (5')	PER METER ENTR (FOOT)
AGG BASE CSE (TON)	29.4 (32.4)	30.8 (33.9)	0.64 (0.7)
INC HMA SURF 50 (2) (TON)	7.8 (8.6)	8.4 (9.3)	0.17 (0.19)
BIT PRIME COAT (TON)	0.08 (0.09)	0.09 (0.10)	0.006 (0.002)



SIDE ROAD RETURN

	6m (20') RADIUS			9m (30') RADIUS			12m (40') RADIUS		
	5.5m (18')	6m (20')	6.5m (22')	5.5m (18')	6m (20')	6.5m (22')	5.5m (18')	6m (20')	6.5m (22')
AGG BASE CSE T-B (TON)	20 (22.1)	21.6 (23.8)	23.1 (25.5)	37 (40.8)	39.5 (43.5)	42 (46.3)	57.9 (63.8)	61.3 (67.6)	64.7 (71.3)
INC HMA SURF 75 (3) (TON)	5.5 (6.1)	6.2 (6.8)	6.6 (7.25)	10.5 (11.6)	11.2 (12.4)	12.1 (13.3)	16.7 (18.4)	17.7 (19.5)	18.7 (20.6)
BIT PRIME CSE T-B (TON)	0.05 (0.06)	0.06 (0.07)	0.06 (0.07)	0.11 (0.12)	0.11 (0.12)	0.12 (0.13)	0.16 (0.18)	0.18 (0.20)	0.19 (0.21)

NOTE: USE 50 (2) INC. HMA SURF. ON EXISTING RETURNS



PLT DATE = Mon Jan 28 07:47:18 2008
 FILE NAME = C:\p\projects\207866\867866.dgn
 PLOT SCALE = 50.0001 / IN
 REFERENCE = #REF#