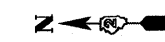
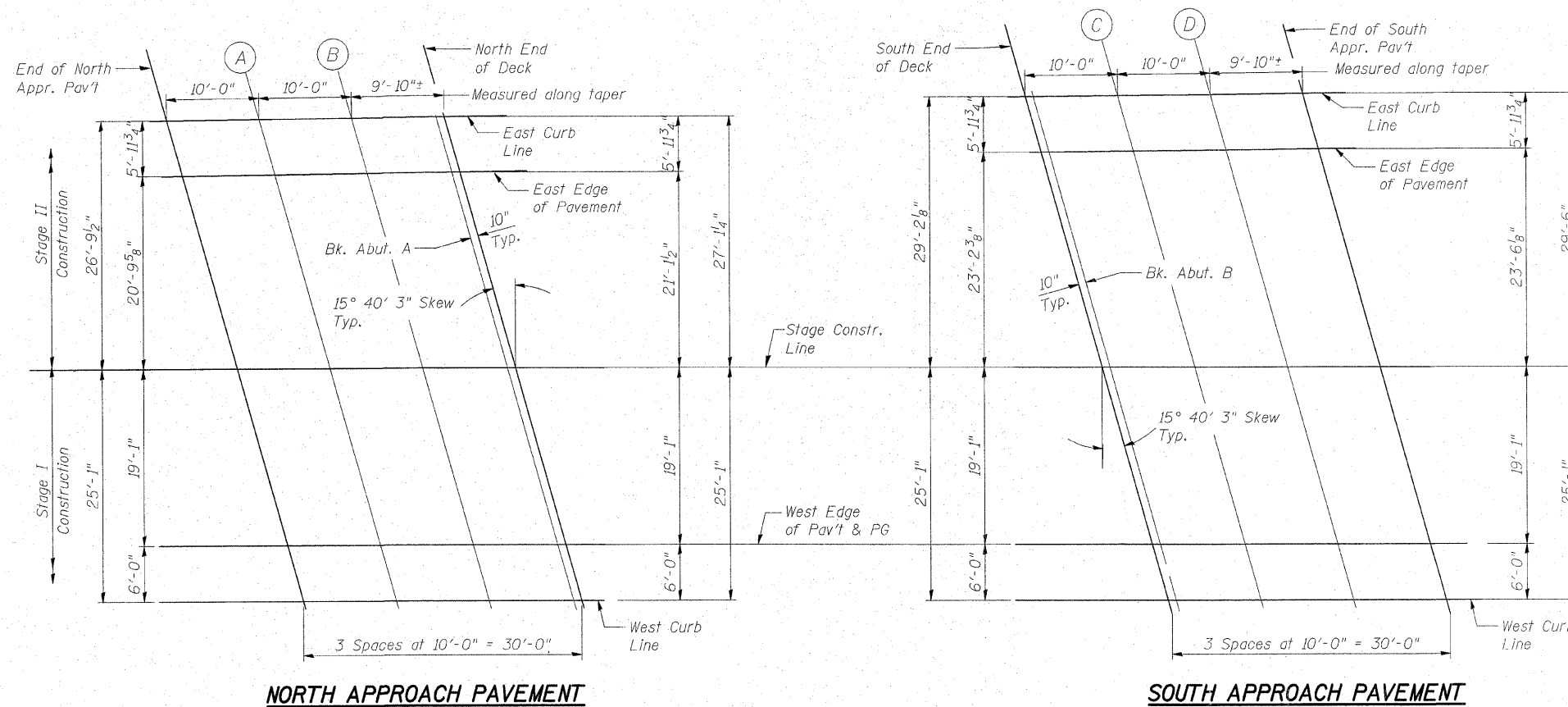


STATE OF ILLINOIS
DEPARTMENT OF TRANSPORTATION

Sheet S9 of S25

F.A.I. RTE.	SECTION	COUNTY	TOTAL SHEETS	SHEET NO.
80	81-1HBY-D	ROCK ISLAND	120	38
FED. ROAD DIST. NO. 2	ILLINOIS	FED. AID PROJECT		

Contract # 64C74



EAST CURB LINE

Location	Station	Offset	Theoretical Grade Elevations
End N. Appr. Pav't.	216+33.07	45.87	615.05
A	216+43.04	45.98	614.75
B	216+53.01	46.08	614.45
North End of Deck	216+62.98	46.19	614.15
South End of Deck	218+56.33	48.26	608.32
C	218+66.30	48.37	608.02
D	218+76.27	48.47	607.72
End S. Appr. Pav't.	218+86.24	48.58	607.42

PLAN

EAST EDGE OF PAVEMENT

Location	Station	Offset	Theoretical Grade Elevations
End N. Appr. Pav't.	216+34.75	39.89	615.13
A	216+44.72	40.00	614.83
B	216+54.69	40.10	614.53
North End of Deck	216+64.66	40.21	614.23
South End of Deck	218+58.00	42.28	608.39
C	218+67.97	42.38	608.09
D	218+77.94	42.49	607.79
End S. Appr. Pav't.	218+87.91	42.60	607.49

STAGE CONSTRUCTION LINE

Location	Station	Offset	Theoretical Grade Elevations
End N. Appr. Pav't.	216+40.59	19.08	615.28
A	216+50.59	19.08	614.98
B	216+60.59	19.08	614.68
North End of Deck	216+70.59	19.08	614.38
South End of Deck	218+64.51	19.08	608.56
C	218+74.51	19.08	608.26
D	218+84.51	19.08	607.96
End S. Appr. Pav't.	218+94.51	19.08	607.66

WEST EDGE OF PAVEMENT & PG

Location	Station	Offset	Theoretical Grade Elevations
End N. Appr. Pav't.	216+45.94	0.00	615.04
A	216+55.94	0.00	614.74
B	216+65.94	0.00	614.44
North End of Deck	216+75.94	0.00	614.14
South End of Deck	218+69.86	0.00	608.32
C	218+79.86	0.00	608.02
D	218+89.86	0.00	607.72
End S. Appr. Pav't.	218+99.86	0.00	607.42

WEST CURB LINE

Location	Station	Offset	Theoretical Grade Elevations
End N. Appr. Pav't.	216+47.62	-6.00	614.87
A	216+57.62	-6.00	614.57
B	216+67.62	-6.00	614.27
North End of Deck	216+77.62	-6.00	613.97
South End of Deck	218+71.54	-6.00	608.15
C	218+81.54	-6.00	607.85
D	218+91.54	-6.00	607.55
End S. Appr. Pav't.	219+01.54	-6.00	607.25

4/15/08 8:51 AM



ILLINOIS DEPARTMENT OF TRANSPORTATION
TOP OF APPROACH SLAB ELEVATIONS (WB BRIDGE)
INTERSTATE 80 OVER INTERSTATE 88
F.A.I. ROUTE 80 - SECTION 81-1HBY-D
ROCK ISLAND COUNTY
STATION 217+81.50
EB S.N. 081-0012 & WB 081-0013

Revised: April 8, 2008.
DRAWN BY: A. Yargicoglu
CHECKED BY: A. Durbak
DATE: FEBRUARY 27, 2008