

STATE OF ILLINOIS
DEPARTMENT OF TRANSPORTATION

Sheet S14 of S25

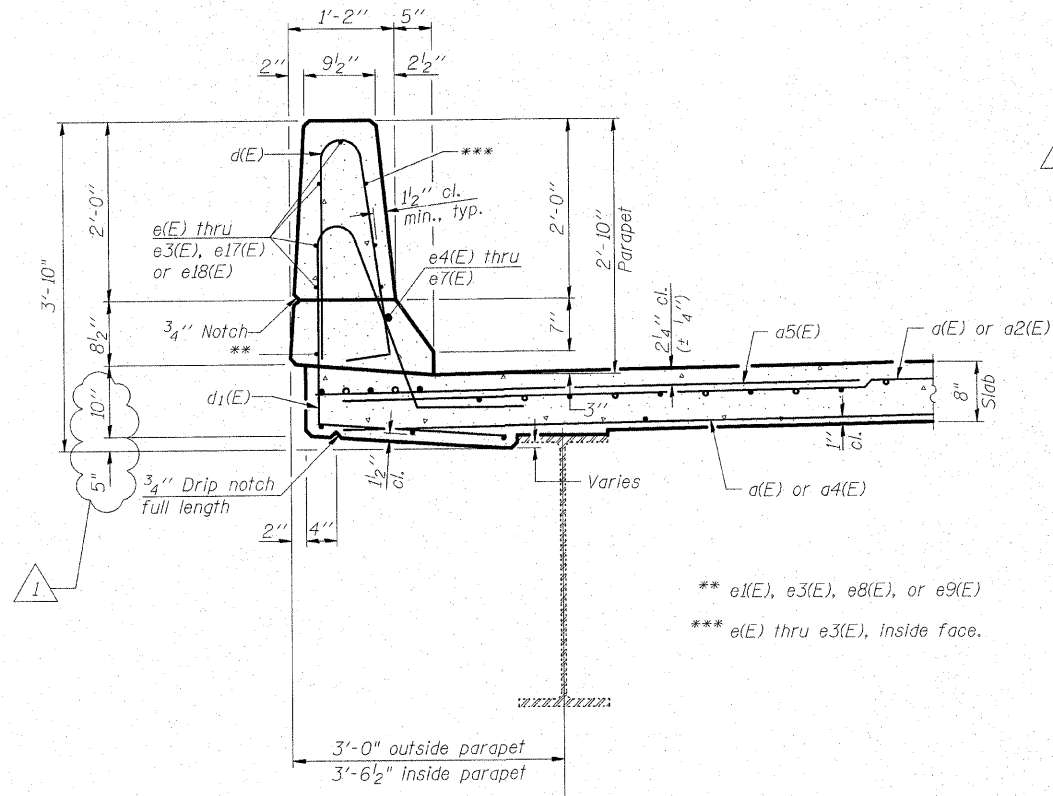
F.A.I. RTE.	SECTION	COUNTY	TOTAL SHEETS	SHEET NO.
80	81-IHBY-D	ROCK ISLAND	170	43
FED. ROAD DIST. NO. 2		ILLINOIS	FED. AID PROJECT	

Contract # 64C74

**SUPERSTRUCTURE
BILL OF MATERIAL**

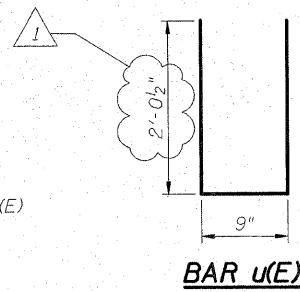
Bar	No.	Size	Length	Shape
a1(E)	1264	#5	26'-2"	—
a2(E)	716	#5	10'-11"	—
a3(E)	716	#5	21'-3"	—
a4(E)	548	#5	13'-5"	—
a5(E)	548	#5	18'-9"	—
a6(E)	720	#6	6'-0"	—
a7(E)	8	#5	27'-2"	—
a8(E)	16	#5	16'-7"	—
b(E)	840	#5	29'-1"	—
b1(E)	880	#5	25'-8"	—
b2(E)	336	#6	29'-2"	—
d(E)	848	#5	5'-7"	—
d1(E)	848	#5	7'-8"	—
e(E)	80	#4	15'-9"	—
e1(E)	128	#4	6'-4"	—
e2(E)	168	#4	14'-0"	—
e3(E)	64	#4	7'-11"	—
e4(E)	8	#8	31'-10"	—
e5(E)	16	#8	6'-4"	—
e6(E)	16	#8	23'-1"	—
e7(E)	8	#8	7'-11"	—
e8(E)	16	#4	16'-10"	—
e9(E)	16	#4	22'-0"	—
e17(E)	16	#4	16'-0"	—
e18(E)	16	#4	15'-4"	—
m(E)	32	#6	27'-4"	—
m1(E)	40	#6	17'-3"	—
m2(E)	32	#6	9'-3"	—
m3(E)	16	#6	7'-11"	—
m4(E)	8	#6	13'-7"	—
m5(E)	8	#6	8'-4"	—
m6(E)	8	#6	3'-4"	—
m7(E)	32	#6	6'-4"	—
m8(E)	8	#6	3'-8"	—
m9(E)	12	#6	8'-1"	—
m10(E)	4	#6	6'-0"	—
m11(E)	8	#6	2'-9"	—
m12(E)	8	#6	2'-3"	—
m13(E)	12	#6	16'-9"	—
m14(E)	12	#6	17'-6"	—
s(E)	164	#5	5'-5"	—
s1(E)	136	#4	8'-9"	—
s2(E)	84	#5	5'-8"	—
s3(E)	76	#4	9'-3"	—
u(E)	228	#4	4'-10"	—
v(E)	228	#5	3'-4"	—
Reinforcement Bars, Epoxy Coated	Pound		174,230	
Concrete Superstructure	Cu. Yds.		765.4	
Bar Splicers	Each		1,560	
Protective Coat	Sq. Yd.		2,618	
Bridge Deck Grooving	Sq. Yd.		2,208	

Bars indicated thus 20 x 3-#5 etc. indicates 20 line of bars with 3 lengths per line.

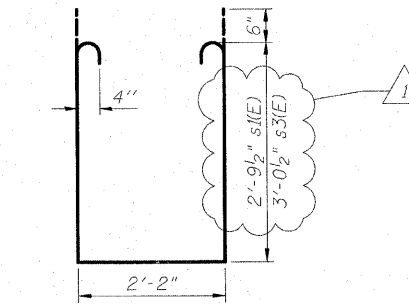


SECTION THRU PARAPET

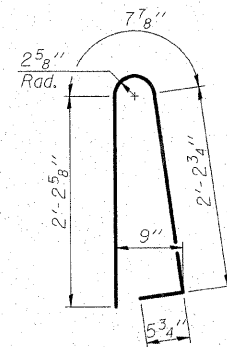
** e1(E), e3(E), e8(E), or e9(E)
*** e(E) thru e3(E), inside face.



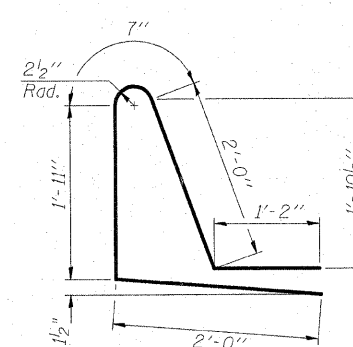
BAR u(E)



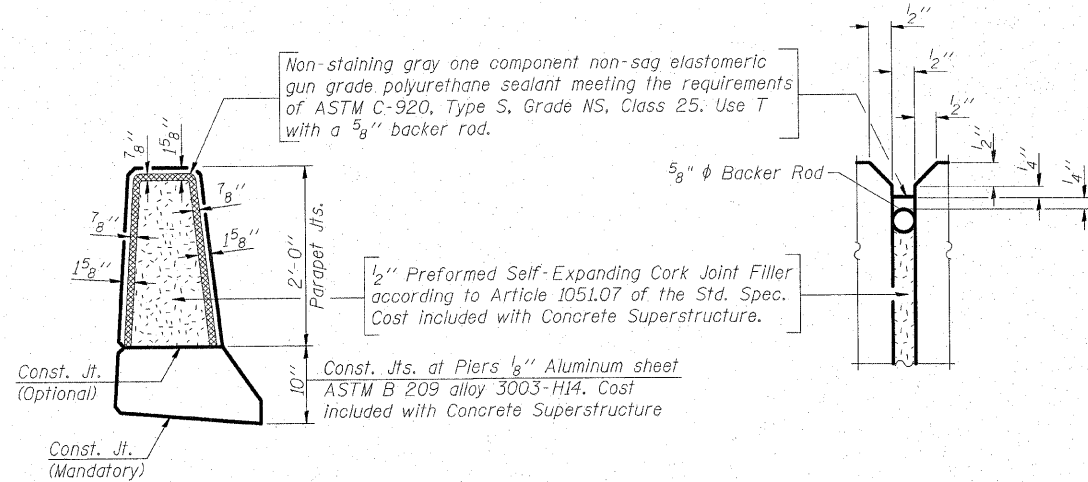
BARS s1(E) & s3(E)



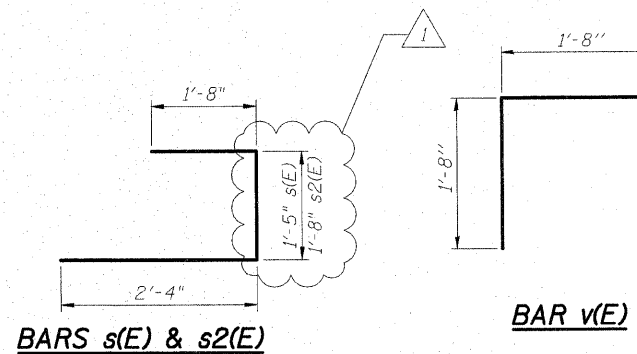
BAR d(E)



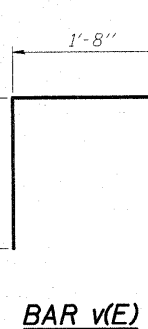
BAR d1(E)



PARAPET JOINT DETAILS



BARS s(E) & s2(E)



BAR v(E)

DATE: 02/27/08

PATRICK
ENGINEERING INC.
LISLE, ILLINOIS

Revised, April 8, 2008.

ILLINOIS DEPARTMENT OF TRANSPORTATION
**SUPERSTRUCTURE DETAILS III
PARAPET DETAILS**
INTERSTATE 80 OVER INTERSTATE 88
F.A.I. ROUTE 80 - SECTION 81-IHBY-D
ROCK ISLAND COUNTY
STATION 217+81.50
EB S.N. 081-0012 & WB 081-0013
DATE: FEBRUARY 27, 2008
DRAWN BY: A. Durbak
CHECKED BY: R. Kaye