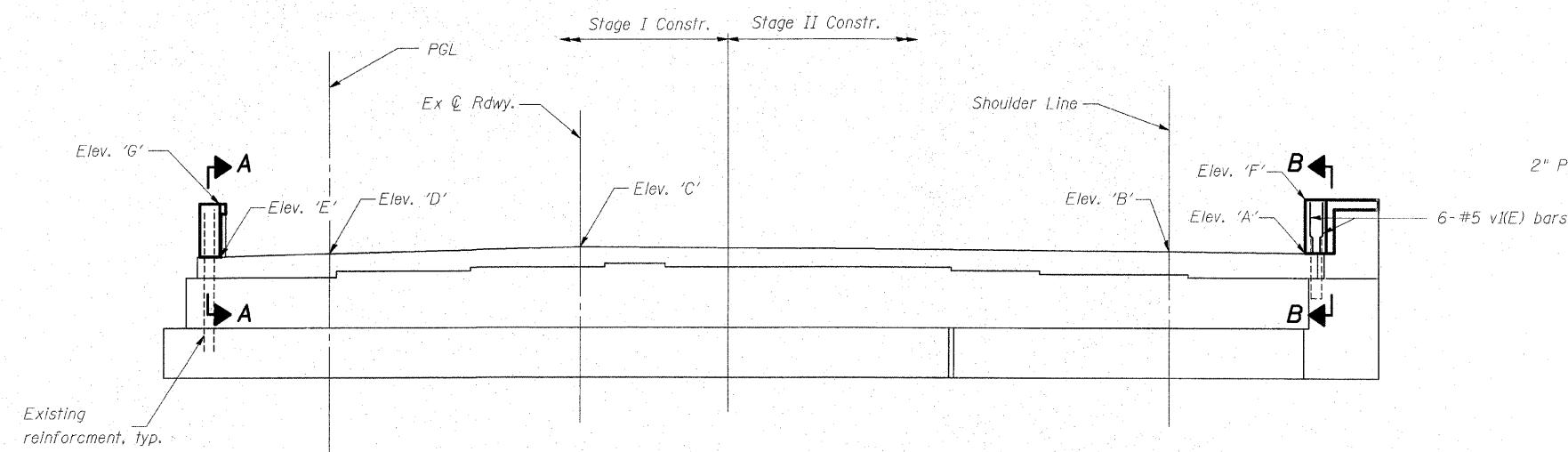


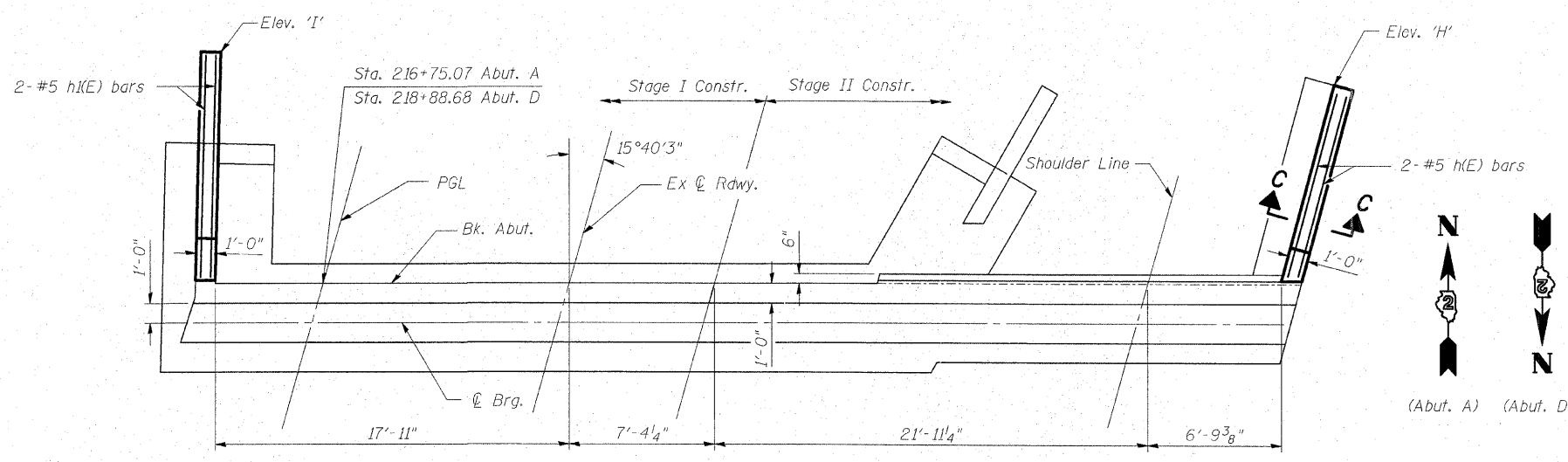
STATE OF ILLINOIS  
DEPARTMENT OF TRANSPORTATION

Sheet S23 of S25

F.A.I. RTE.	SECTION	COUNTY	TOTAL SHEETS	SHEET NO.
80	81-1HBY-D	ROCK ISLAND	180	52
FED. ROAD DIST. NO. 2		ILLINOIS	FED. AID PROJECT	
Contract # 64C74				



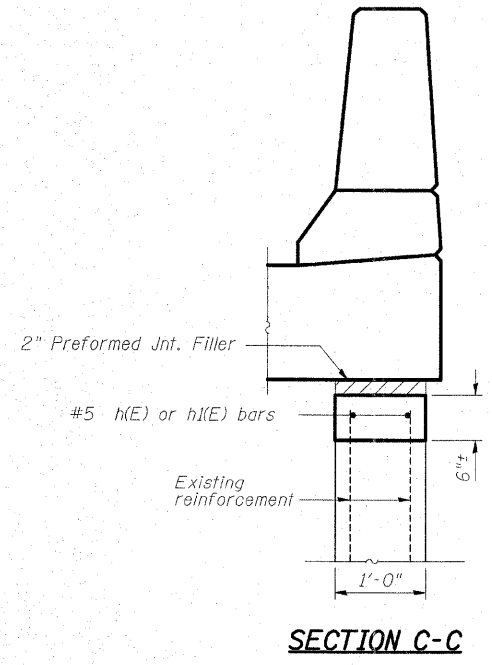
**ELEVATION**



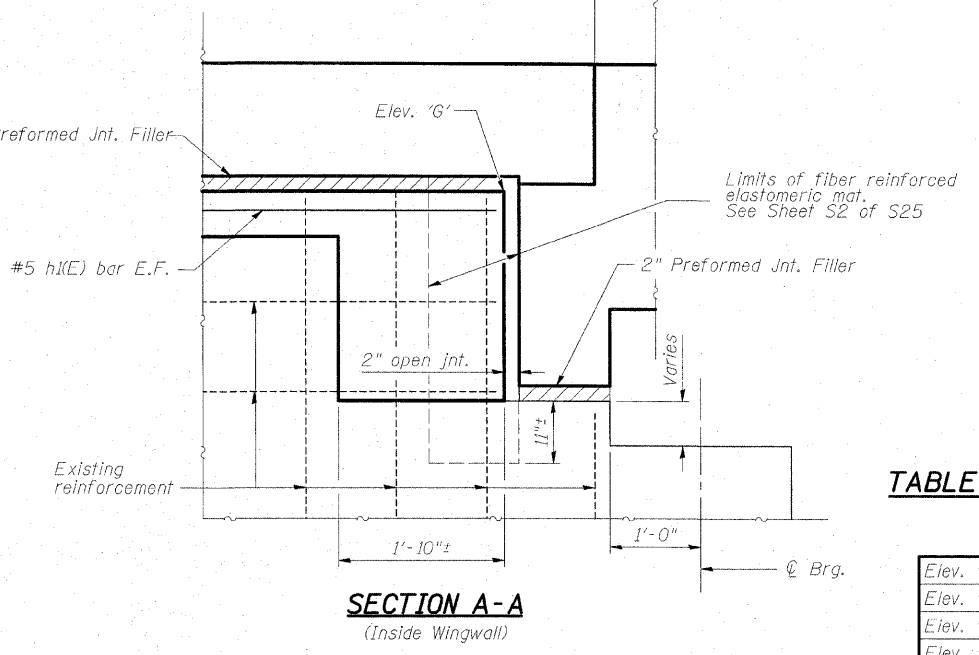
**PLAN**

**SUBSTRUCTURE  
BILL OF MATERIAL**

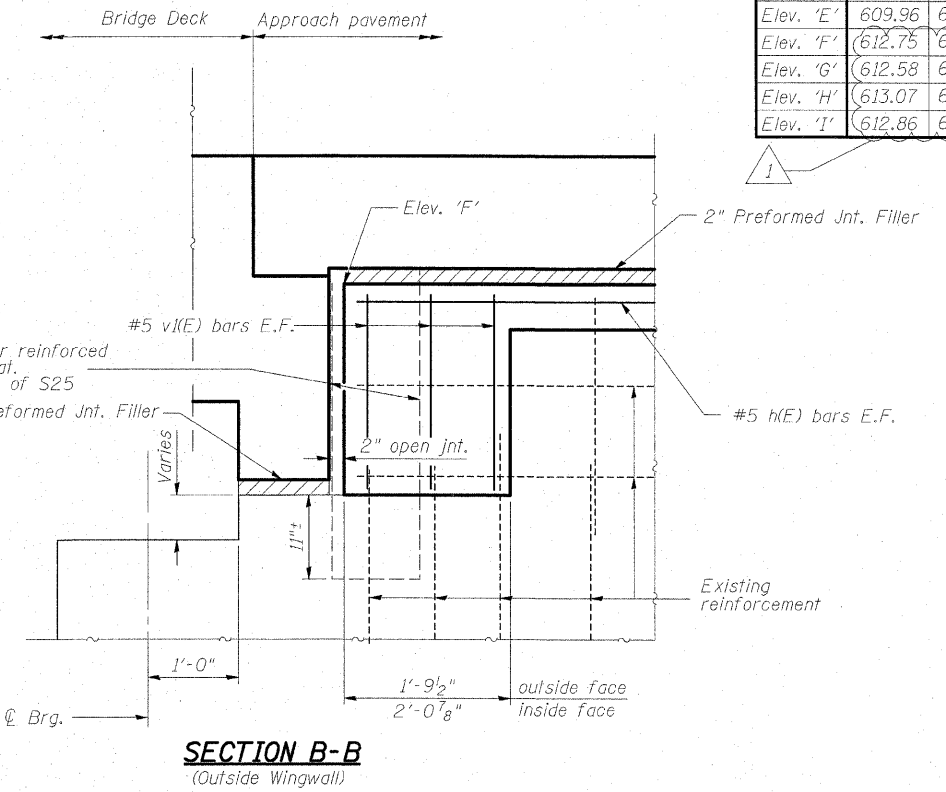
Bar	No.	Size	Length	Shape
h(E)	4	#5	9'- 8"	—
h(E)	4	#5	11'- 2"	—
v(E)	12	#5	2'- 3"	—
Reinforcement Bars, Epoxy Coated			Pound	115
Concrete Substructure			Cu. Yds.	1.4



**SECTION C-C**



**SECTION A-A  
(Inside Wingwall)**



**SECTION B-B  
(Outside Wingwall)**

**TABLE OF ELEVATIONS**

	Abut. A	Abut. D
Elev. 'A'	610.15	602.94
Elev. 'B'	610.22	603.12
Elev. 'C'	610.42	603.81
Elev. 'D'	610.13	603.73
Elev. 'E'	609.96	603.65
Elev. 'F'	612.75	605.56
Elev. 'G'	612.58	606.26
Elev. 'H'	613.07	605.24
Elev. 'I'	612.86	605.90

ILLINOIS DEPARTMENT OF TRANSPORTATION  
**ABUTMENTS A & D**  
INTERSTATE 80 OVER INTERSTATE 88  
F.A.I. ROUTE 80 - SECTION 81-1HBY-D  
ROCK ISLAND COUNTY  
STATION 217+81.50  
EB S.N. 081-0012 & WB 081-0013  
DRAWN BY: A. Durbak  
CHECKED BY: A. Yargiooglu  
DATE: FEBRUARY 27, 2008

1 Revised April 8, 2008.