

TYPICAL SECTIONS

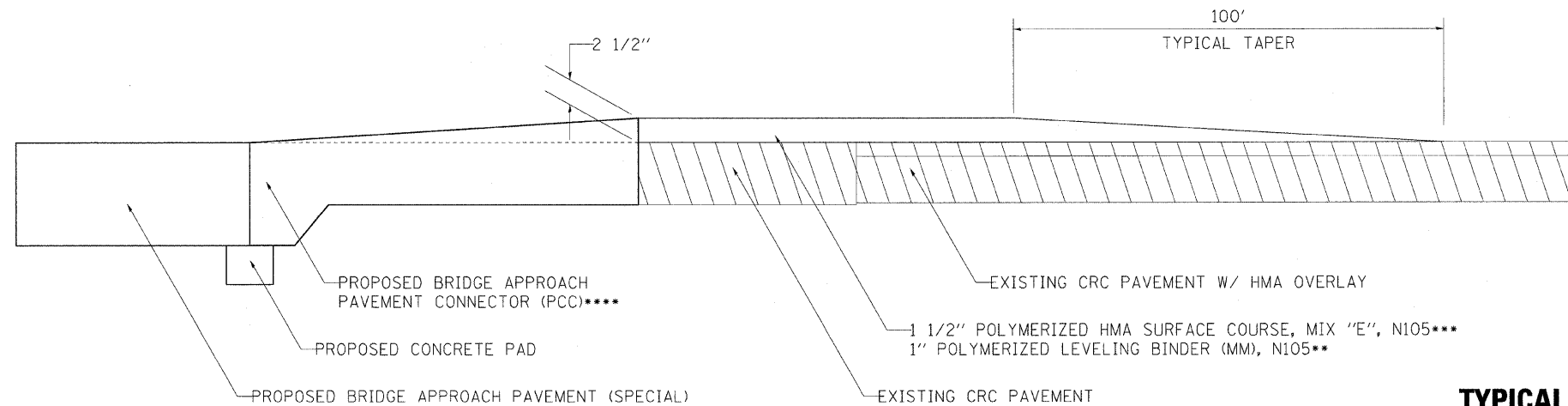
CONNECTOR DETAIL

LT STA 215+96.16 – LT STA 216+45.17

RT STA 216+26.12 – RT STA 216+63.31

LT STA 219+00.49 – LT STA 219+43.38

RT STA 219+18.95 – RT STA 219+66.33



TYPICAL TAPER

LT STA 213+24.19 – LT STA 214+24.19 (MAINLINE)

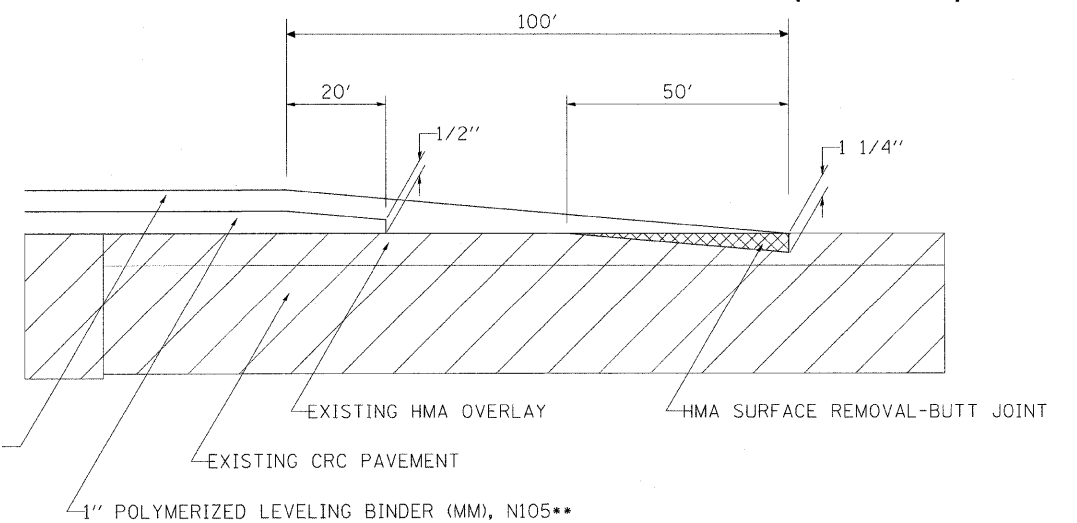
RT STA 213+51.85 – RT STA 214+51.85 (MAINLINE)

RT STA 214+12.73 – RT STA 215+00.55 (RAMP)

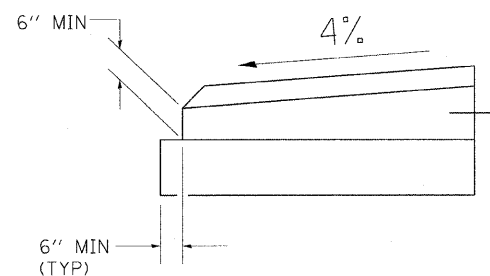
LT STA 220+61.78 – LT STA 221+50.26 (RAMP)

LT STA 221+33.30 – LT STA 222+33.30 (MAINLINE)

RT STA 221+45.35 – RT STA 222+45.35 (MAINLINE)



SHOULDER DETAIL



- *** = 119 LBS/SY/IN
- ** = 112 LBS/SY/IN
- * = MATCH EXISTING CROSS SLOPE
- **** = BUILD ACCORDING TO HIGHWAY STANDARD 420401 SHEET 1 OF 4 (NEW CONSTRUCTION)

FILE NAME = C:\Projects\p200407\d02407.typ.dgn	USER NAME = jordanhd	DESIGNED - ---	REVISED - ---	STATE OF ILLINOIS DEPARTMENT OF TRANSPORTATION	I-80 TYPICALS	F.A.I. RTE. = 80	SECTION = 81-IHBY-D	COUNTY = ROCK ISLAND	TOTAL SHEETS = 120	SHEET NO. = 11	
PLOT SCALE = 50.0000' / IN.	CHECKED - ---	REVISED - ---	SCALE: _____			SHEET NO. _____ OF _____ SHEETS	STA. _____ TO STA. _____	CONTRACT NO. 64C74			
PLOT DATE = Thu Feb 28 13:34:41 2008	DATE - ---	REVISED - ---	FED. ROAD DIST. NO. - ILLINOIS FED. AID PROJECT								