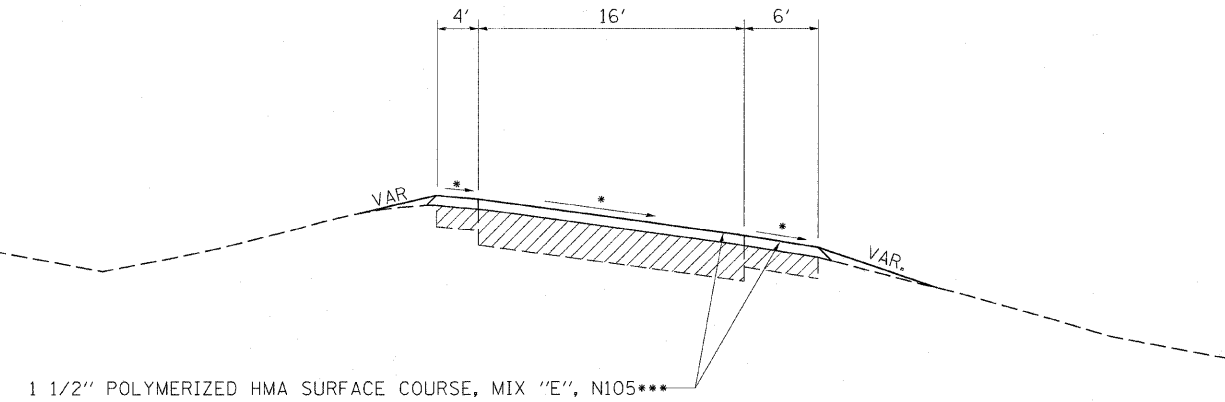
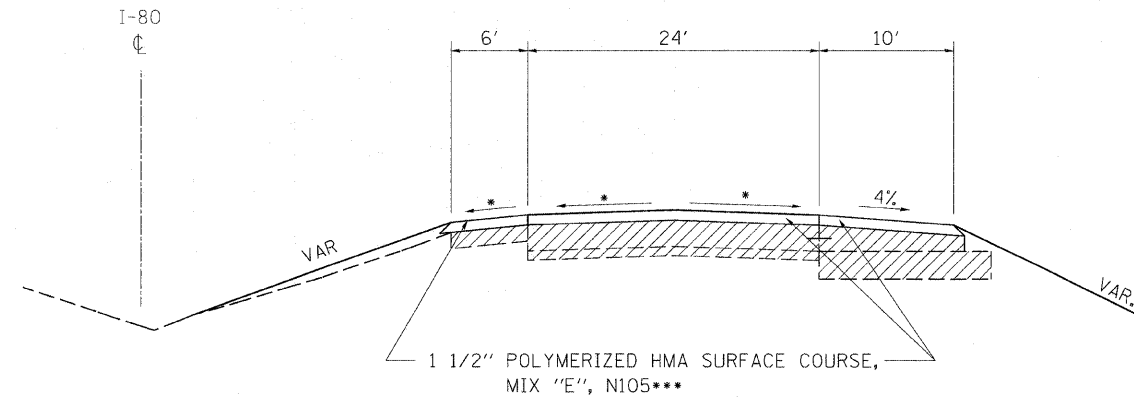


# STAGING TYPICALS

## STAGE IV

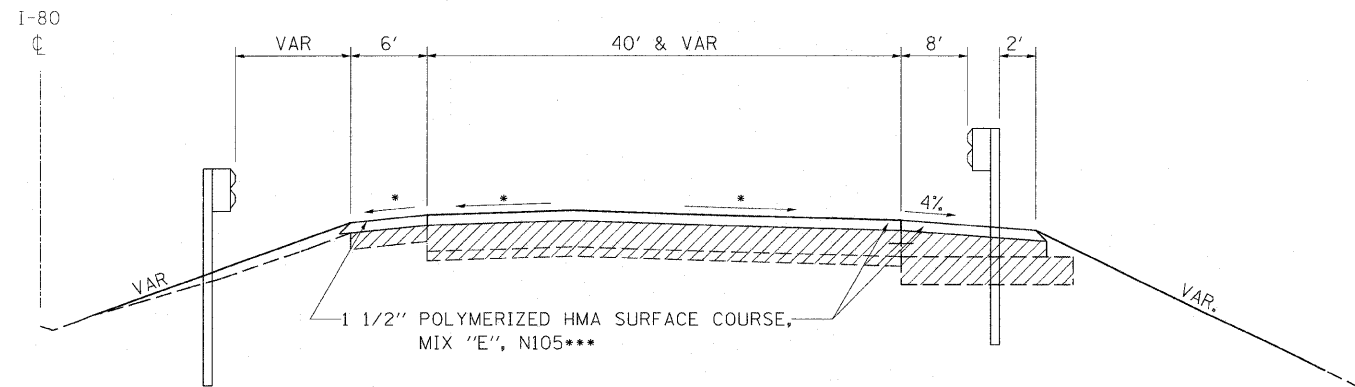
**EB**  
**RT STA 213+51.85 – RT STA 215+24.34**

**WB**  
**LT STA 220+51.90 – LT STA 222+33.26**



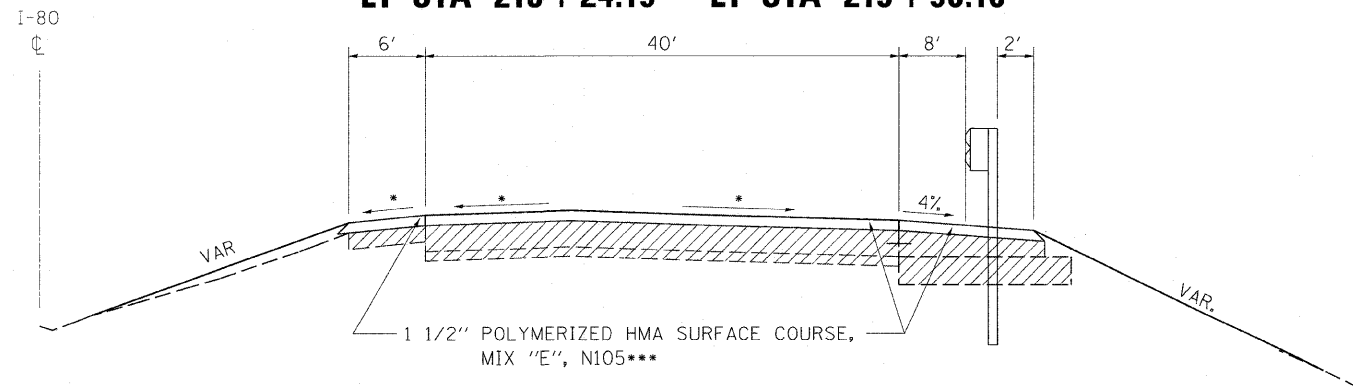
**EB**  
**RT STA 215+24.34 – RT STA 216+26.12**

**WB**  
**LT STA 219+43.38 – LT STA 220+51.90**



**EB**  
**RT STA 219+66.33 – RT STA 222+45.35**

**WB**  
**LT STA 213+24.19 – LT STA 215+96.16**



- \*\*\* = 119 LBS/SY/IN
- \*\* = 112 LBS/SY/IN
- \* = MATCH EXISTING CROSS SLOPE

FILE NAME = C:\Projects\p202407\d02407.tsp.dgn	USER NAME = jordanhd	DESIGNED - ---	REVISED - ---	<b>STATE OF ILLINOIS DEPARTMENT OF TRANSPORTATION</b>	<b>I-80 STAGING TYPICALS</b>	F.A.I. RTE. = 80	SECTION = 81-JHBY-D	COUNTY = ROCK ISLAND	TOTAL SHEETS = 120	SHEET NO. = 15	
PLOT SCALE = 50.0000' / IN.	CHECKED - ---	REVISED - ---	SCALE: _____			SHEET NO. _____ OF _____ SHEETS	STA. _____ TO STA. _____	FED. ROAD DIST. NO. = [ILLINOIS] FED. AID PROJECT	CONTRACT NO. 64C74		
PLOT DATE = Thu Feb 28 13:35:42 2008	DATE - ---	REVISED - ---									