




STATE OF ILLINOIS
DEPARTMENT OF TRANSPORTATION

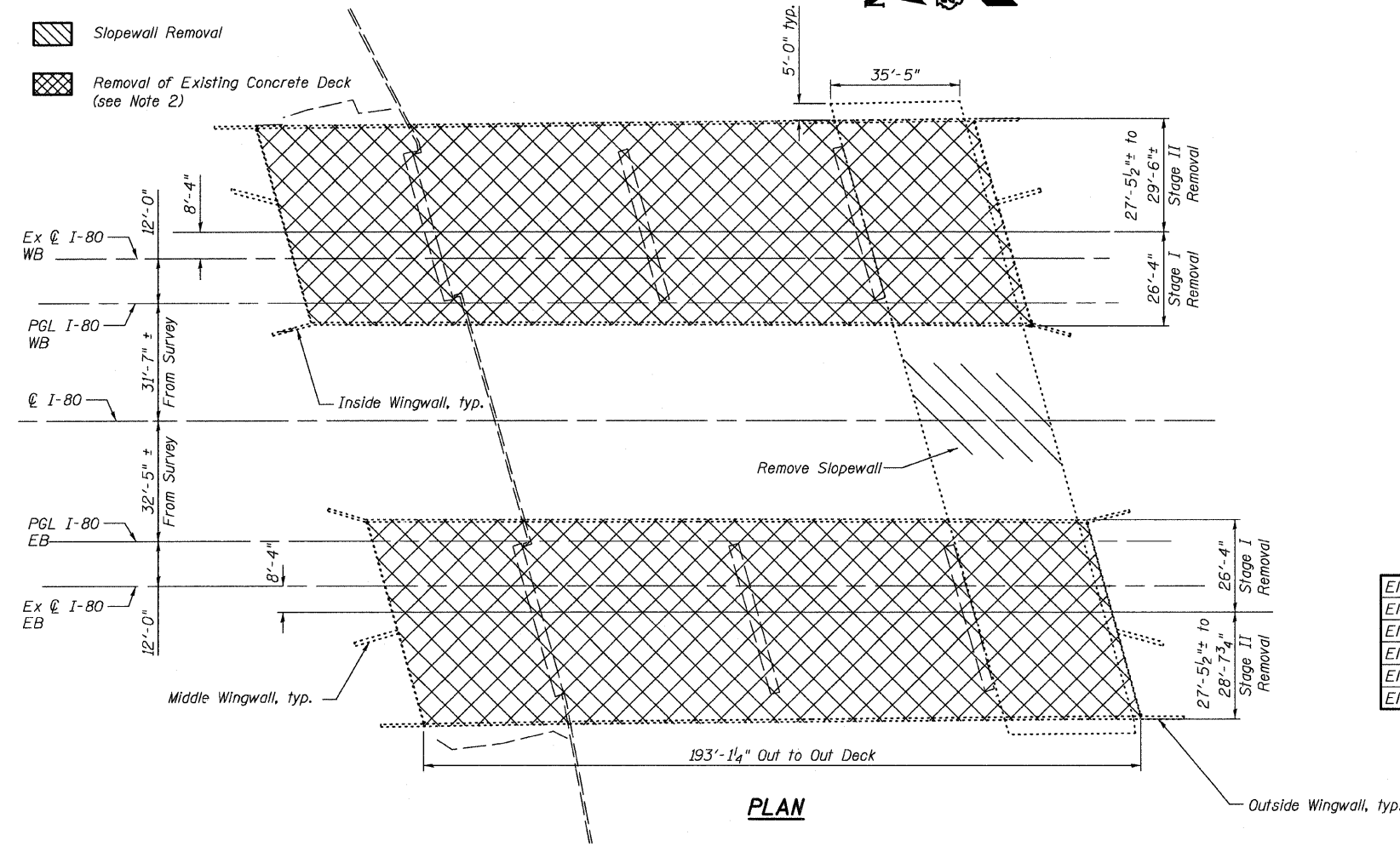
Sheet S4 of S25

| | | | | |
|-----------------------|-----------|-------------|------------------|-----------|
| F.A.I. RTE. | SECTION | COUNTY | TOTAL SHEETS | SHEET NO. |
| 80 | 81-IHBY-D | ROCK ISLAND | 120 | 33 |
| FED. ROAD DIST. NO. 2 | | ILLINOIS | FED. AID PROJECT | |

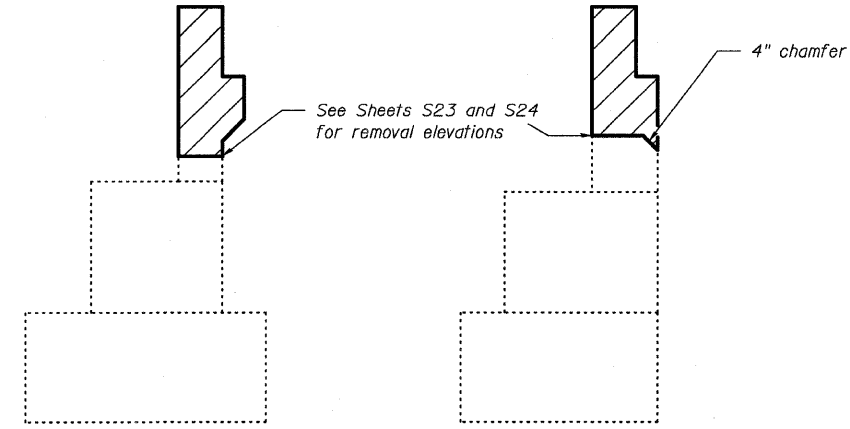
Contract # 64C74

LEGEND

-  Concrete Removal
-  Slopewall Removal
-  Removal of Existing Concrete Deck (see Note 2)



PLAN



**ABUTMENT SECTION
BTW. W30 BEAMS**

**ABUTMENT SECTION
BTW. W33 BEAMS**

TABLE OF ELEVATIONS

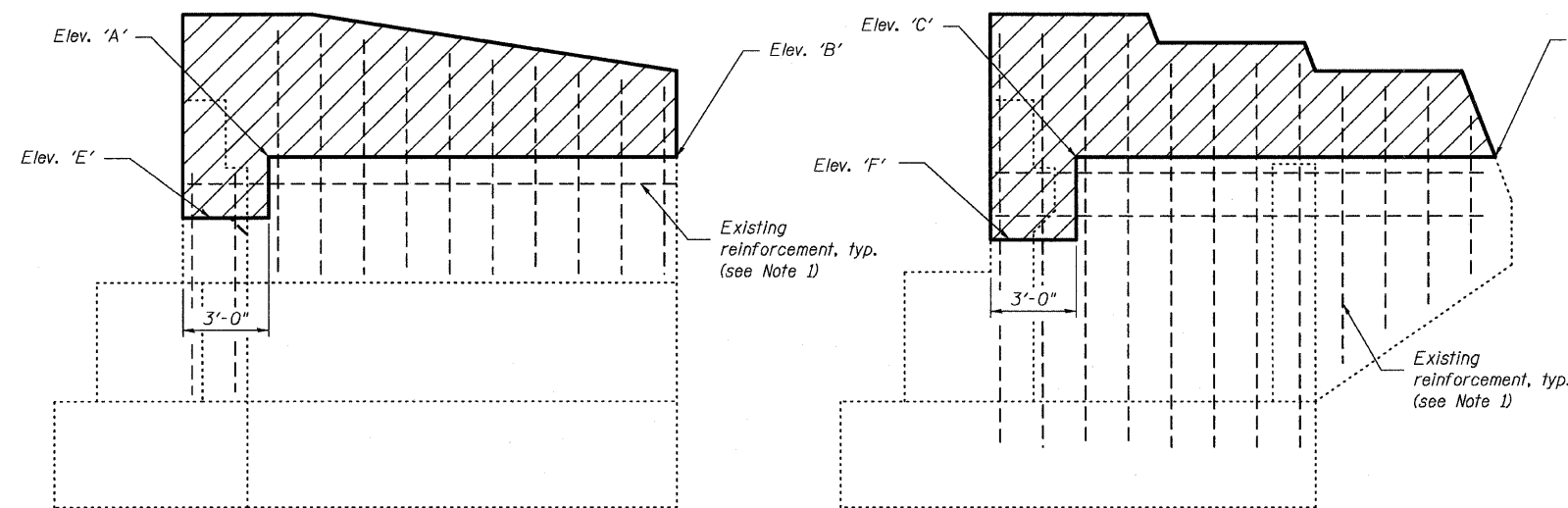
| | Abut. A | Abut. B | Abut. C | Abut. D |
|-----------|---------|---------|---------|---------|
| Elev. 'A' | 612.11 | 606.11 | 610.74 | 604.80 |
| Elev. 'B' | 612.37 | 605.86 | 610.99 | 604.54 |
| Elev. 'C' | 611.95 | 606.03 | 611.43 | 605.51 |
| Elev. 'D' | 612.16 | 605.71 | 611.65 | 605.20 |
| Elev. 'E' | 610.15 | 604.24 | 608.78 | 602.94 |
| Elev. 'F' | 609.96 | 604.09 | 609.52 | 603.65 |

BILL OF MATERIAL

| Item | Unit | Total |
|-----------------------------------|---------|-------|
| Concrete Removal | Cu. Yd. | 61.6 |
| Slopewall Removal | Sq. Yd. | 676 |
| Removal of Existing Concrete Deck | Each | 2 |

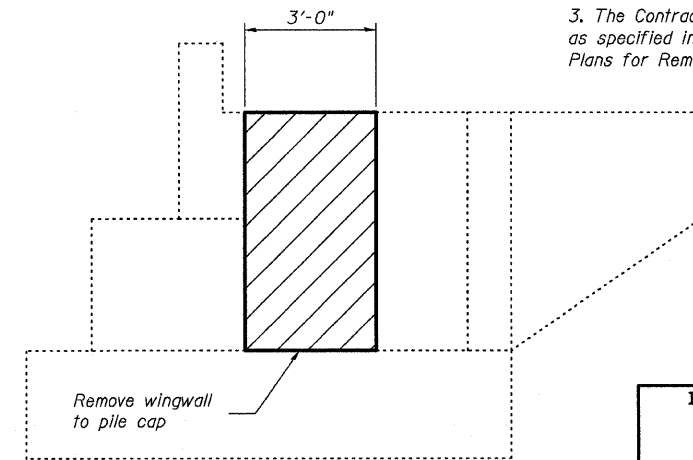
Notes:

1. Reinforcement extending into removed area shall be cleaned, straightened, and incorporated into the new construction.
2. Saw cutting of the existing deck is permitted in accordance with the requirements of the special provision "Removal of Existing Non-composite Bridge Decks".
3. The Contractor shall submit a demolition plan as specified in the Special Provision "Demolition Plans for Removal of Existing Structures".



OUTSIDE WINGWALL

INSIDE WINGWALL



MIDDLE WINGWALL

ILLINOIS DEPARTMENT OF TRANSPORTATION

REMOVAL DETAILS

INTERSTATE 80 OVER INTERSTATE 88
F.A.I. ROUTE 80 - SECTION 81-IHBY-D
ROCK ISLAND COUNTY
STATION 217+81.50
EB S.N. 081-0012 & WB 081-0013

DATE: FEBRUARY 27, 2008
DRAWN BY: A. Durbak
CHECKED BY: A. Yargicoglu

8/USERS
8/24/08
8/FILES
8/TIMES

PATRICK
ENGINEERING INC.
LISLE, ILLINOIS