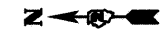
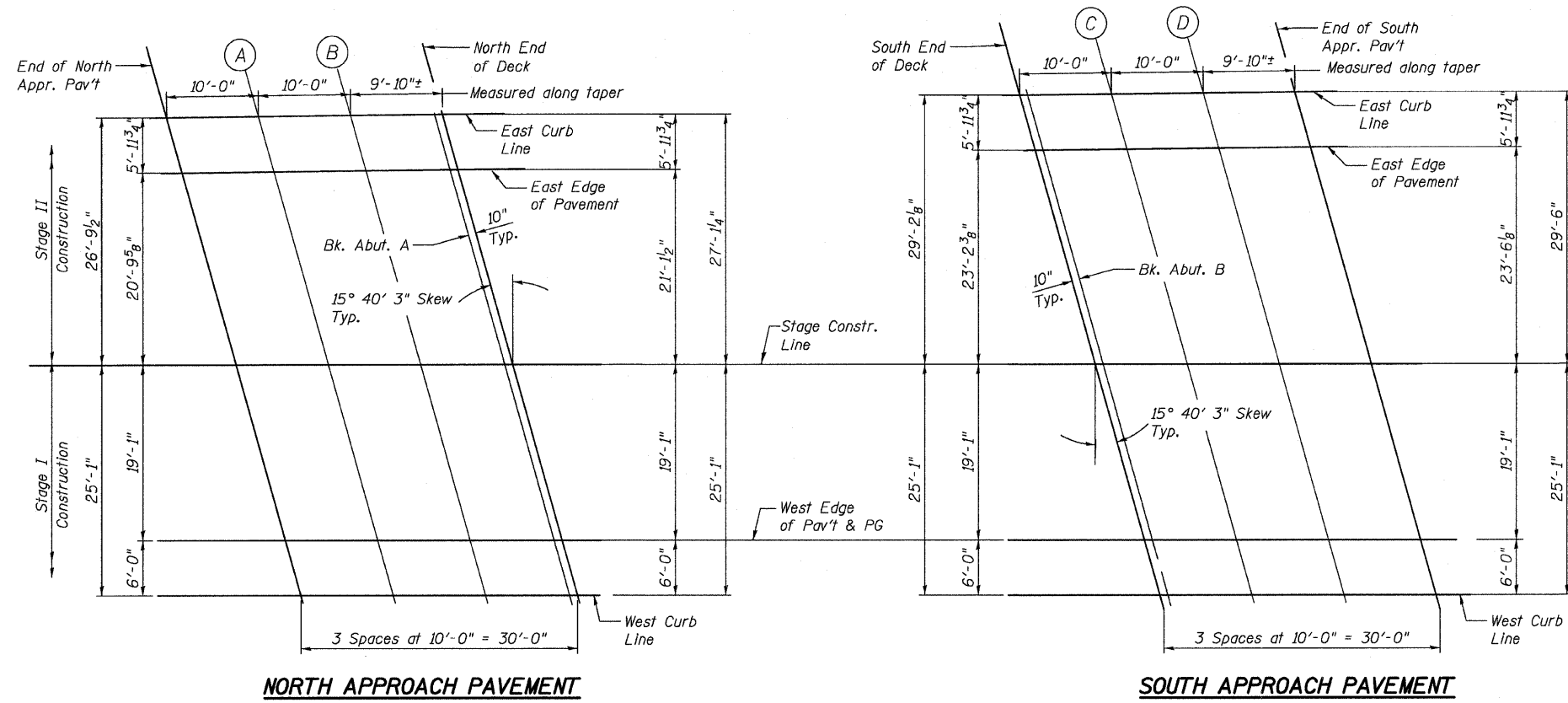


STATE OF ILLINOIS
DEPARTMENT OF TRANSPORTATION

Sheet S9 of S25

F.A.I. RTE.	SECTION	COUNTY	TOTAL SHEETS	SHEET NO.
80	81-IHBY-D	ROCK ISLAND	120	38
FED. ROAD DIST. NO. 2		ILLINOIS	FED. AID PROJECT	

Contract # 64C74



EAST CURB LINE

Location	Station	Offset	Theoretical Grade Elevations
End N. Appr. Pav't.	216+33.07	45.87	614.85
A	216+43.04	45.98	614.55
B	216+53.01	46.08	614.25
North End of Deck	216+62.98	46.19	613.95
South End of Deck	218+56.33	48.26	608.12
C	218+66.30	48.37	607.82
D	218+76.27	48.47	607.52
End S. Appr. Pav't.	218+86.24	48.58	607.22

PLAN

EAST EDGE OF PAVEMENT

Location	Station	Offset	Theoretical Grade Elevations
End N. Appr. Pav't.	216+34.75	39.89	614.93
A	216+44.72	40.00	614.63
B	216+54.69	40.10	614.33
North End of Deck	216+64.66	40.21	614.03
South End of Deck	218+58.00	42.28	608.19
C	218+67.97	42.38	607.89
D	218+77.94	42.49	607.59
End S. Appr. Pav't.	218+87.91	42.60	607.29

STAGE CONSTRUCTION LINE

Location	Station	Offset	Theoretical Grade Elevations
End N. Appr. Pav't.	216+40.59	19.08	615.08
A	216+50.59	19.08	614.78
B	216+60.59	19.08	614.48
North End of Deck	216+70.59	19.08	614.18
South End of Deck	218+64.51	19.08	608.36
C	218+74.51	19.08	608.06
D	218+84.51	19.08	607.76
End S. Appr. Pav't.	218+94.51	19.08	607.46

WEST EDGE OF PAVEMENT & PG

Location	Station	Offset	Theoretical Grade Elevations
End N. Appr. Pav't.	216+45.94	0.00	614.84
A	216+55.94	0.00	614.54
B	216+65.94	0.00	614.24
North End of Deck	216+75.94	0.00	613.94
South End of Deck	218+69.86	0.00	608.12
C	218+79.86	0.00	607.82
D	218+89.86	0.00	607.52
End S. Appr. Pav't.	218+99.86	0.00	607.22

WEST CURB LINE

Location	Station	Offset	Theoretical Grade Elevations
End N. Appr. Pav't.	216+47.62	-6.00	614.67
A	216+57.62	-6.00	614.37
B	216+67.62	-6.00	614.07
North End of Deck	216+77.62	-6.00	613.77
South End of Deck	218+71.54	-6.00	607.95
C	218+81.54	-6.00	607.65
D	218+91.54	-6.00	607.35
End S. Appr. Pav't.	219+01.54	-6.00	607.05

SHEETS 8 TIMES 8 FILES

PATRICK
ENGINEERING INC.
LISLE, ILLINOIS

ILLINOIS DEPARTMENT OF TRANSPORTATION
TOP OF APPROACH SLAB ELEVATIONS (WB BRIDGE)
INTERSTATE 80 OVER INTERSTATE 88
F.A.I. ROUTE 80 - SECTION 81-IHBY-D
ROCK ISLAND COUNTY
STATION 217+81.50
EB S.N. 081-0012 & WB 081-0013
DRAWN BY: A. Yargloolu
CHECKED BY: A. Durbak
DATE: FEBRUARY 27, 2008