

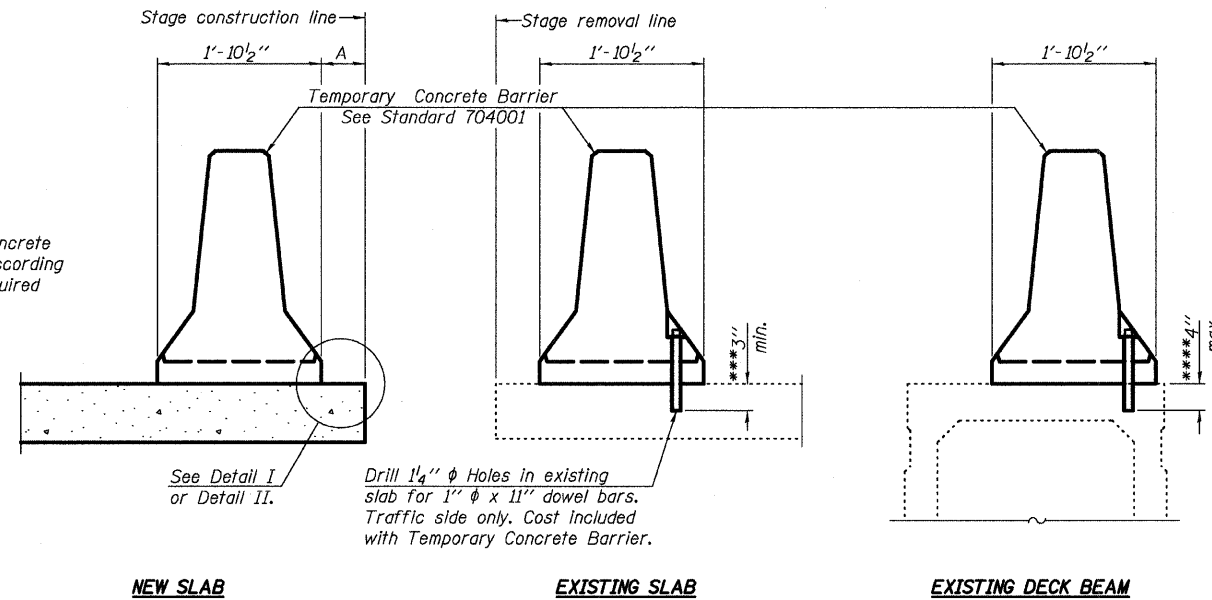
STATE OF ILLINOIS
DEPARTMENT OF TRANSPORTATION

Sheet S19 of S25

| F.A.I. RTE. | SECTION | COUNTY | TOTAL SHEETS | SHEET NO. |
|-----------------------|-----------|-------------|--------------|------------------|
| 80 | 81-IHBY-D | ROCK ISLAND | 120 | 48 |
| FED. ROAD DIST. NO. 2 | | | ILLINOIS | FED. AID PROJECT |

Contract # 64C74

When "A" is 3'-6" or less, the temporary concrete barrier shall be anchored to the new slab according to Detail I or Detail II. No anchorage is required when "A" is greater than 3'-6".



NEW SLAB

EXISTING SLAB

EXISTING DECK BEAM

SECTIONS THRU SLAB OR DECK BEAM

NOTES

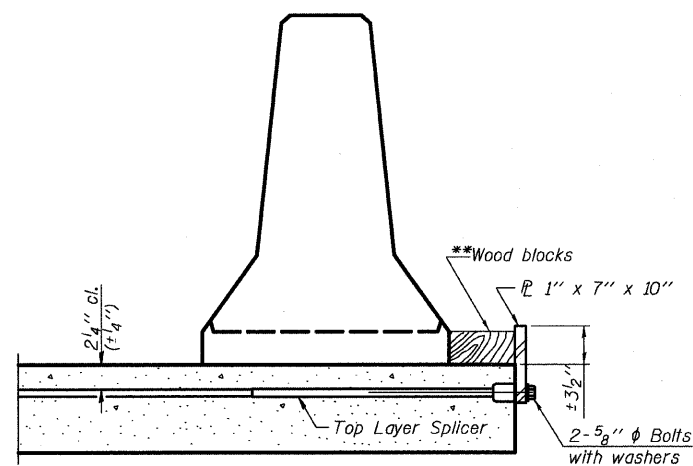
Detail I - With Bar Splicer or Couplers:
Connect one (1) 1"x7"x10" steel \bar{P} to the top layer of couplers with 2-5/8" ϕ bolts screwed to coupler at approximate \bar{C} of each barrier panel.

Detail II - With Extended Reinforcement Bars:
Connect one (1) 1"x7"x10" steel \bar{P} to the concrete slab or concrete wearing surface with 2-5/8" ϕ Expansion Anchors or cast in place inserts spaced between the top layer of reinforcement at approximate \bar{C} of each barrier panel.

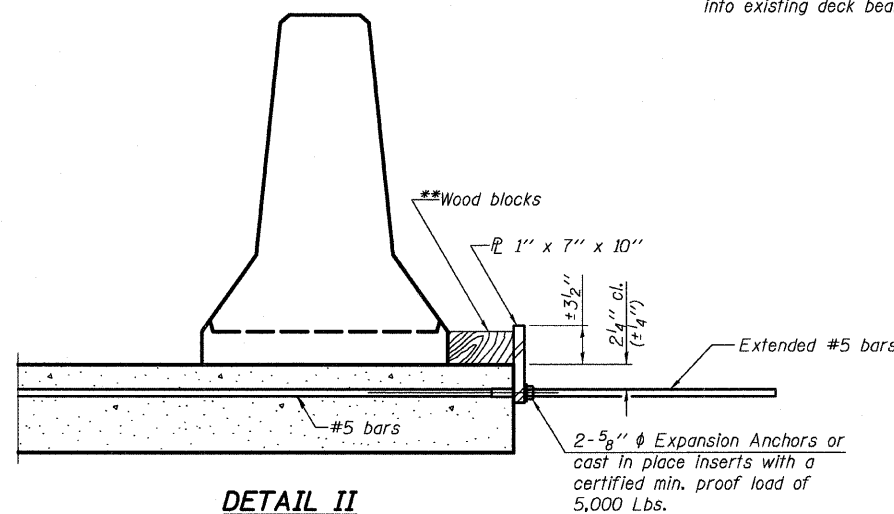
Cost of anchorage is included with Temporary Concrete Barrier. The 1" x 7" x 10" plate shall not be removed until stage II construction forms and all reinforcement bars are in place and the concrete is ready to be placed.

***Dimension shown is minimum required embedment into concrete. If hot-mix asphalt wearing surface is present, minimum embedment shall be in addition to wearing surface depth.

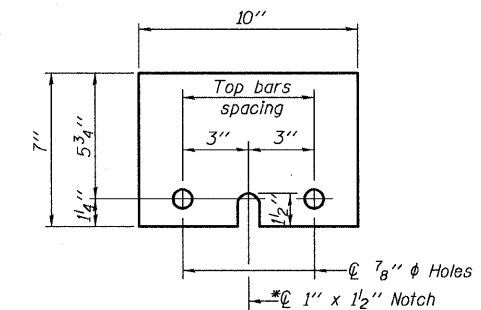
***If existing deck beam is to remain in place after stage construction, embedment shall only be into wearing surface and not into existing deck beam concrete.



DETAIL I



DETAIL II



STEEL RETAINER \bar{P} 1" x 7" x 10"

* Required only with Detail II

**Wood blocks may be omitted when required to provide minimum stage traffic lane width. When the wood blocks are omitted, the concrete barrier shall be in direct contact with the steel retainer plate.

FILES
TIMES
DATES

PATRICK
ENGINEERING INC.
LISLE, ILLINOIS

R-27

9-3-07

ILLINOIS DEPARTMENT OF TRANSPORTATION
TEMPORARY CONCRETE BARRIER
FOR STAGE CONSTRUCTION
INTERSTATE 80 OVER INTERSTATE 88
F.A.I. ROUTE 80 - SECTION 81-IHBY-D
ROCK ISLAND COUNTY
STATION 217+81.50
EB S.N. 081-0012 & WB 081-0013
DATE: FEBRUARY 27, 2008
DRAWN BY: M. Woldezion
CHECKED BY: A. Yargicoglu