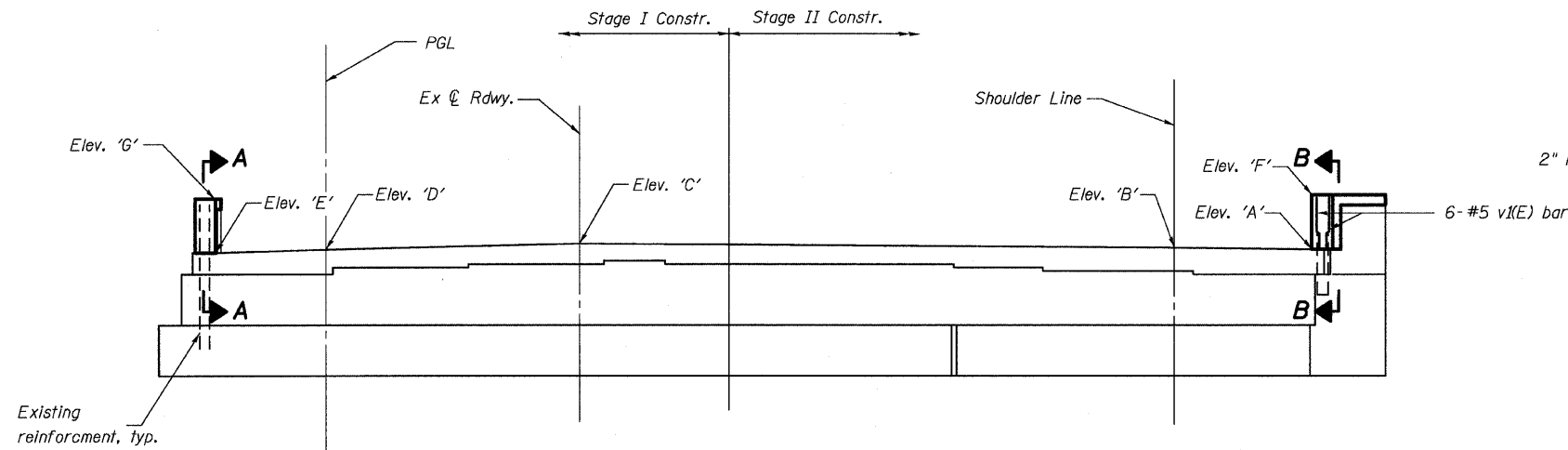


STATE OF ILLINOIS  
DEPARTMENT OF TRANSPORTATION

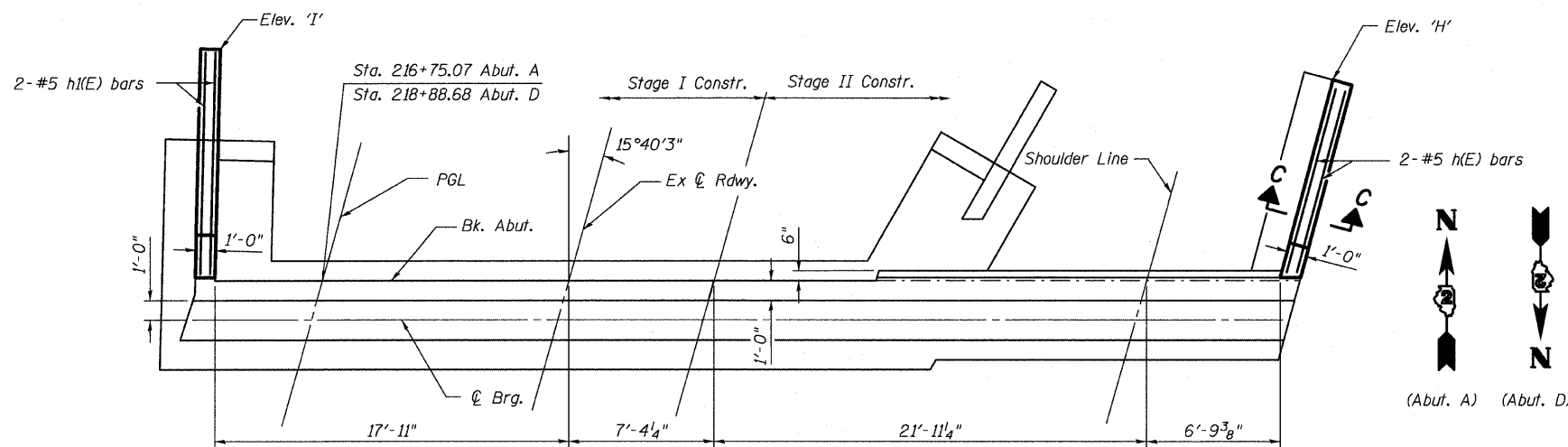
Sheet S23 of S25

F.A.I. RTE.	SECTION	COUNTY	TOTAL SHEETS	SHEET NO.
80	81-IHBY-D	ROCK ISLAND	120	52
FED. ROAD DIST. NO. 2		ILLINOIS	FED. AID PROJECT	

Contract # 64C74



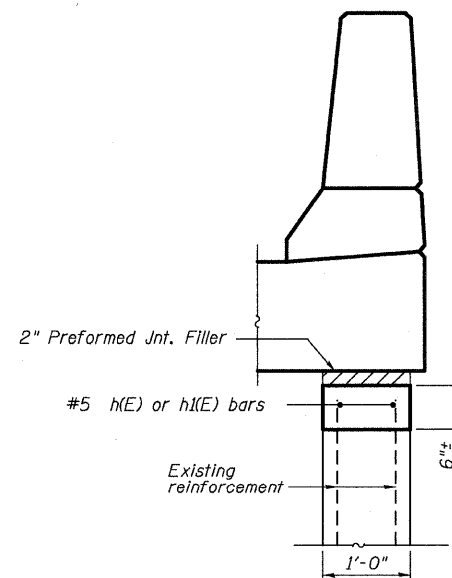
**ELEVATION**



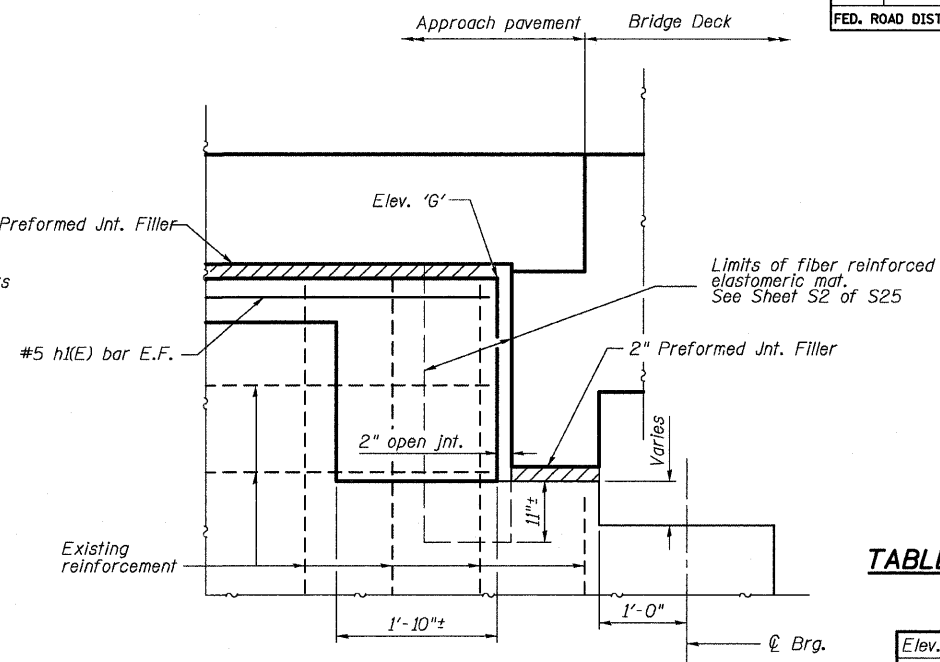
**PLAN**

**SUBSTRUCTURE  
BILL OF MATERIAL**

Bar	No.	Size	Length	Shape	
h(E)	4	#5	9'- 8"	—	
h(E)	4	#5	11'- 2"	—	
v(E)	12	#5	2'- 0"	—	
Reinforcement Bars, Epoxy Coated				Pound	112
Concrete Substructure				Cu. Yds.	1.3



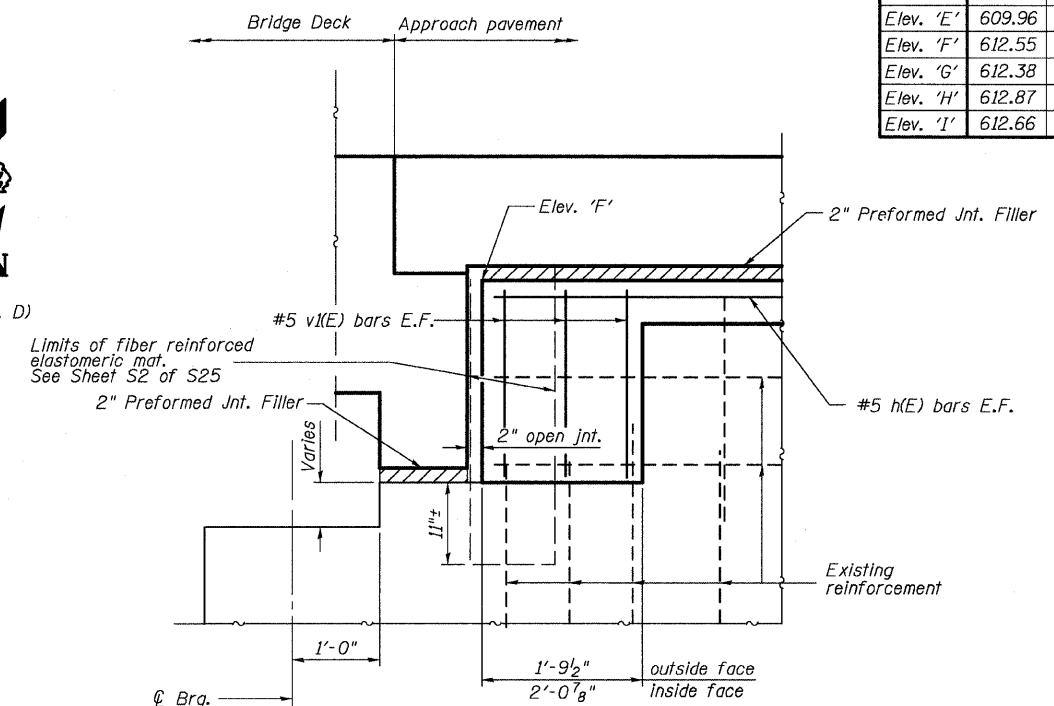
**SECTION C-C**



**SECTION A-A  
(Inside Wingwall)**

**TABLE OF ELEVATIONS**

	Abut. A	Abut. D
Elev. 'A'	610.15	602.94
Elev. 'B'	610.22	603.12
Elev. 'C'	610.42	603.81
Elev. 'D'	610.13	603.73
Elev. 'E'	609.96	603.65
Elev. 'F'	612.55	605.36
Elev. 'G'	612.38	606.06
Elev. 'H'	612.87	605.04
Elev. 'I'	612.66	605.70



**SECTION B-B  
(Outside Wingwall)**

**PATRICK**  
ENGINEERING INC.  
LISLE, ILLINOIS

ILLINOIS DEPARTMENT OF TRANSPORTATION  
**ABUTMENTS A & D**  
INTERSTATE 80 OVER INTERSTATE 88  
F.A.I. ROUTE 80 - SECTION 81-IHBY-D  
ROCK ISLAND COUNTY  
STATION 217+81.50  
EB S.N. 081-0012 & WB 081-0013  
DATE: FEBRUARY 27, 2008  
DRAWN BY: A. Durbak  
CHECKED BY: A. Yargicoglu