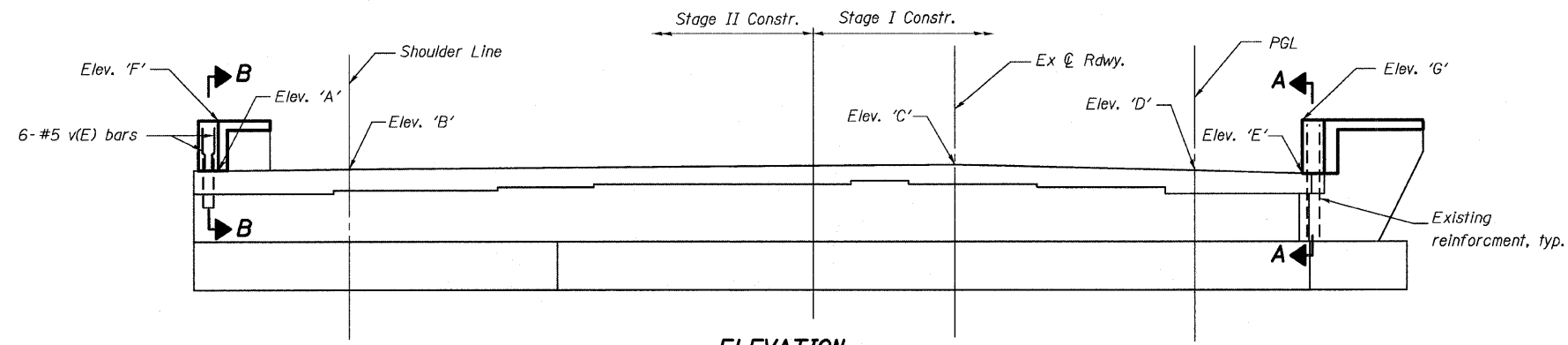


STATE OF ILLINOIS  
DEPARTMENT OF TRANSPORTATION

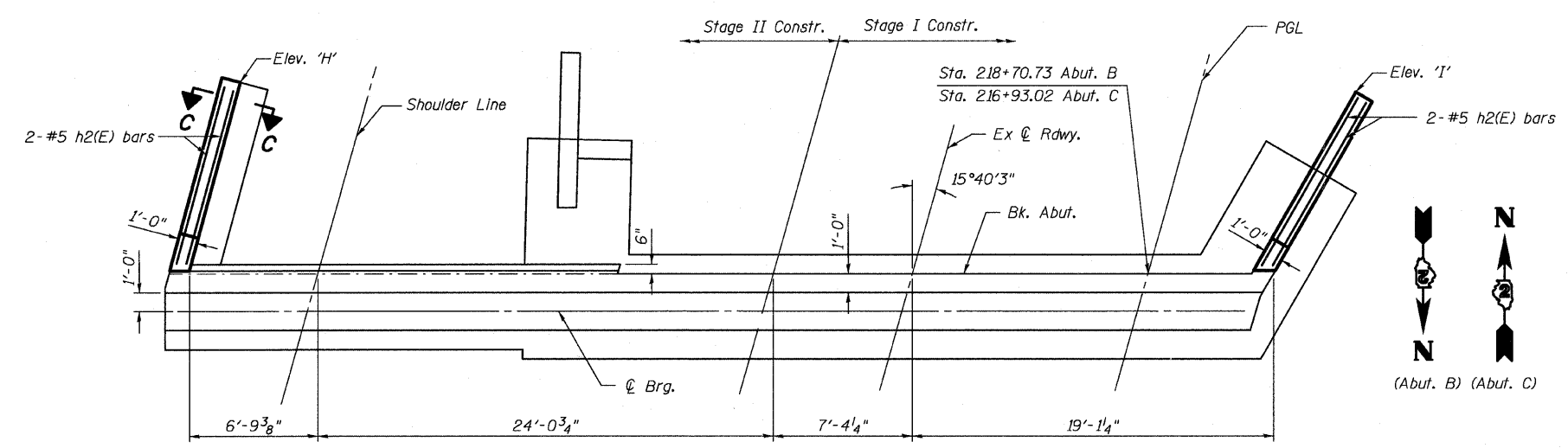
Sheet S24 of S25

F.A.I. RTE.	SECTION	COUNTY	TOTAL SHEETS	SHEET NO.
80	81-IHBY-D	ROCK ISLAND	120	53
FED. ROAD DIST. NO. 2		ILLINOIS	FED. AID PROJECT	

Contract # 64C74



**ELEVATION**



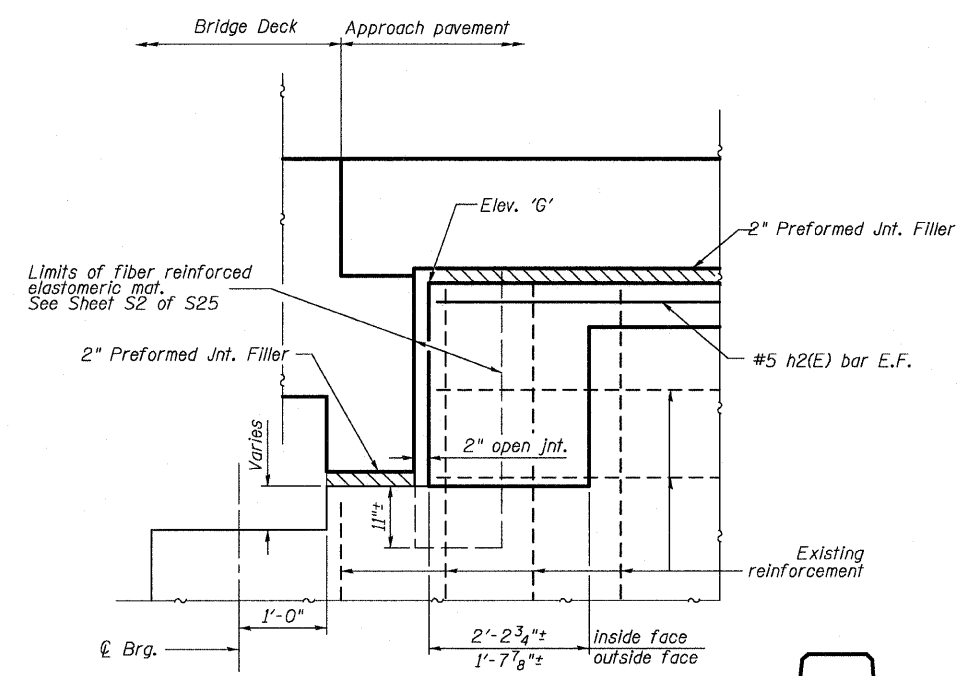
**PLAN**

**TABLE OF ELEVATIONS**

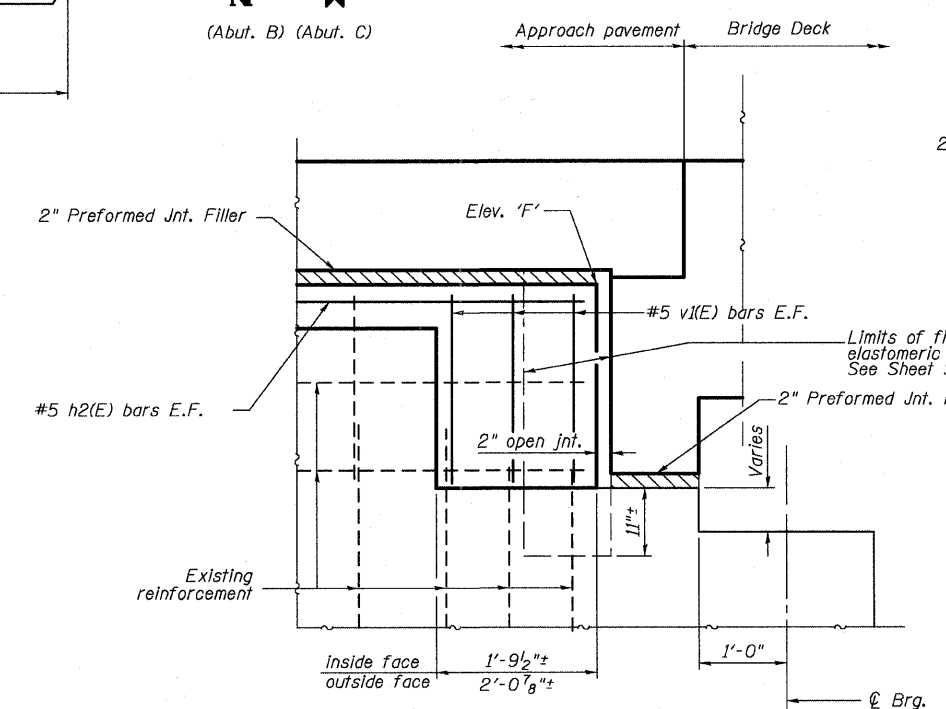
	Abut. B	Abut. C
Elev. 'A'	604.24	608.78
Elev. 'B'	604.32	608.96
Elev. 'C'	604.55	609.68
Elev. 'D'	604.26	609.60
Elev. 'E'	604.09	609.52
Elev. 'F'	606.67	611.18
Elev. 'G'	606.51	611.93
Elev. 'H'	606.36	611.49
Elev. 'I'	606.21	612.15

**SUBSTRUCTURE  
BILL OF MATERIAL**

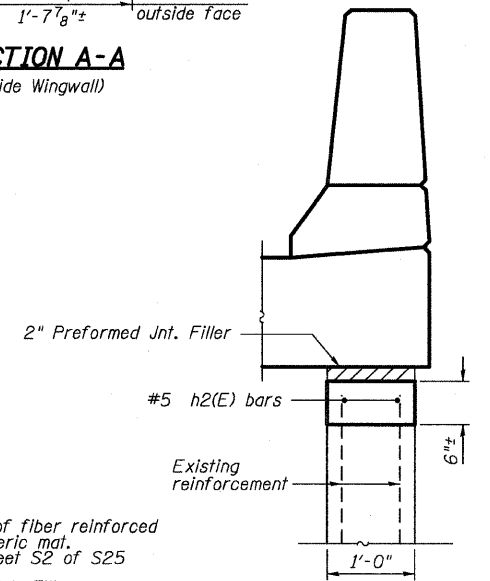
Bar	No.	Size	Length	Shape
h2(E)	8	#5	9'- 11"	—
v(E)	12	#5	2'- 0"	—
Reinforcement Bars, Epoxy Coated			Pound	108
Concrete Substructure			Cu. Yds.	1.3



**SECTION A-A  
(Inside Wingwall)**



**SECTION B-B  
(Outside Wingwall)**



**SECTION C-C**

ILLINOIS DEPARTMENT OF TRANSPORTATION  
**ABUTMENTS B & C**  
INTERSTATE 80 OVER INTERSTATE 88  
F.A.I. ROUTE 80 - SECTION 81-IHBY-D  
ROCK ISLAND COUNTY  
STATION 217+81.50  
EB S.N. 081-0012 & WB 081-0013  
DRAWN BY: A. Durbak  
CHECKED BY: A. Yargicoglu  
DATE: FEBRUARY 27, 2008

**PATRICK**  
ENGINEERING INC.  
LISLE, ILLINOIS