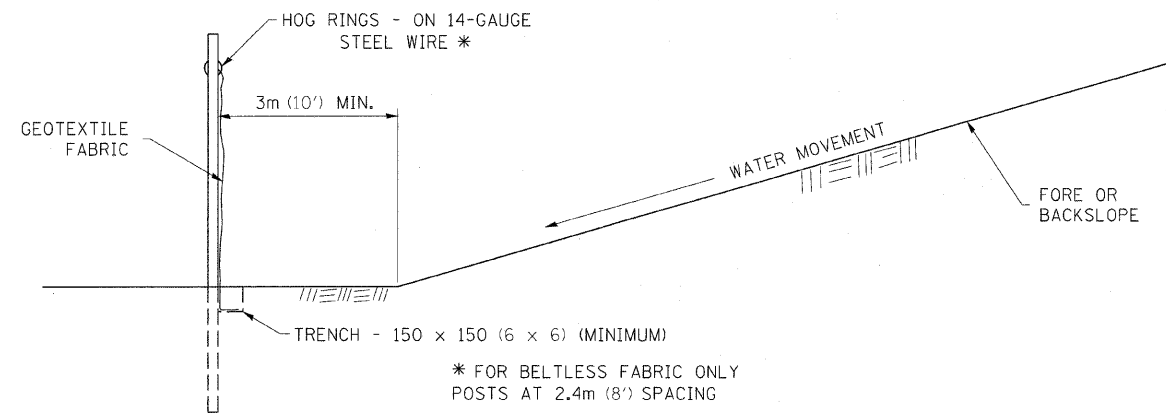
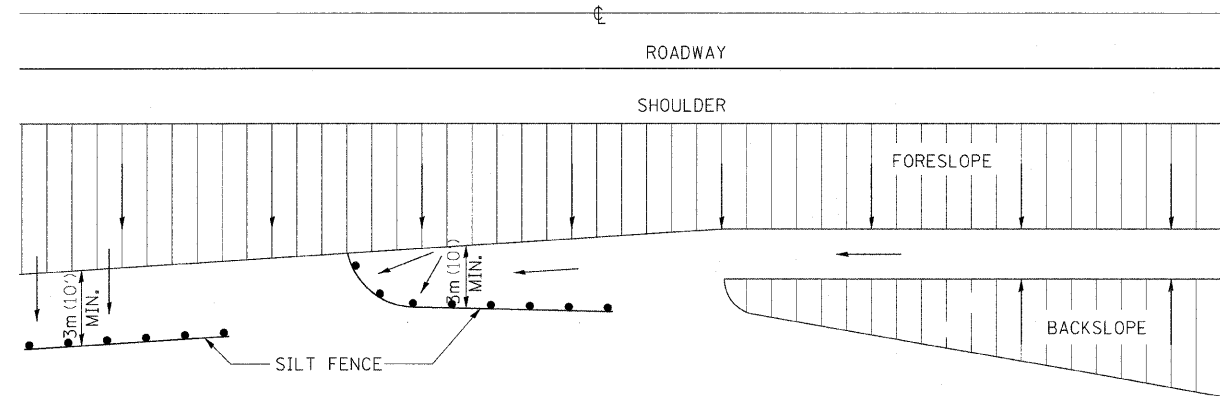


EROSION CONTROL DETAILS FOR SILT FENCE

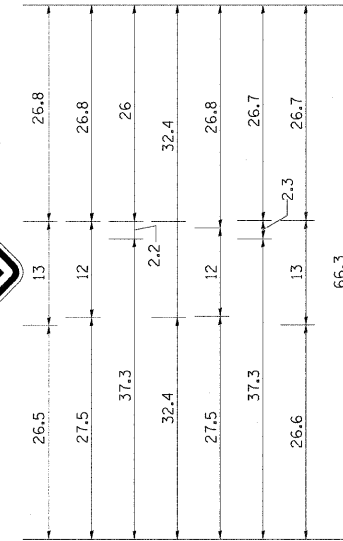
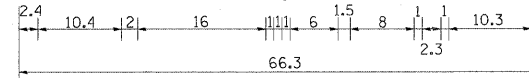
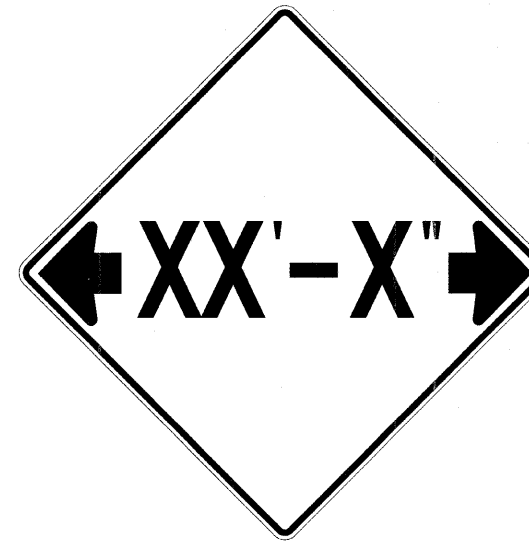


DETAILS OF SILT FENCE

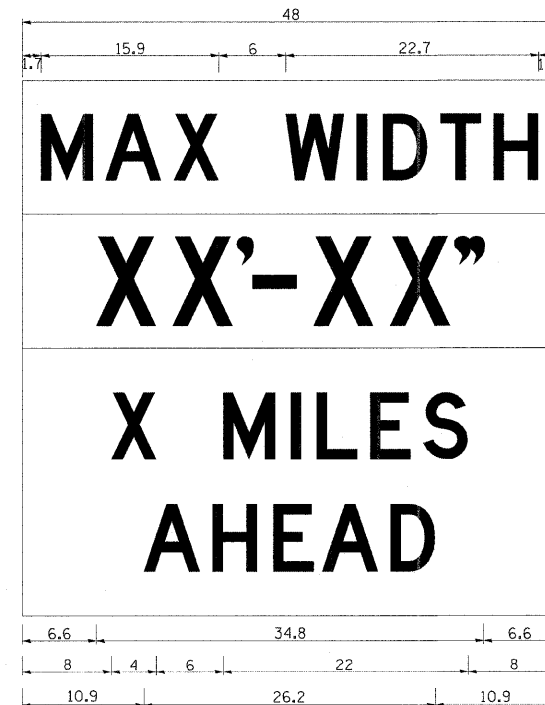
ALL DIMENSIONS ARE IN MILLIMETERS (INCHES) UNLESS OTHERWISE NOTED.

REVISED - 10-22-01

INFORMATIONAL WARNING SIGN (FOR NARROW TRAVEL LANES)



NOTES
 W12-2 - Horizontal Clearance Sign
 48.0" across sides, 1.9" Radius,
 0.8" Border, 0.5" Indent, Black on
 Orange; Standard Arrow Custom
 10.4" X 8.1" 180° Black II Inch
 D Series Lettering; Standard Arrow
 Custom 10.4" X 8.1" 0°



W12-1103 (Width Is 8D):
 No border, Black on White;
 [MAX WIDTH] D;

 No border, Black on Orange;
 [XX'-XX"] D;

 No border, Black on White;
 [X MILES] D; [AHEAD] D;

All work to furnish and install these signs shall be included in the cost of the Traffic Control Standards and shall not be paid for separately.

ALL DIMENSIONS ARE IN INCHES UNLESS OTHERWISE NOTED.

REVISED - 1-9-08	REGION 2 / DISTRICT 2 STANDARD		F.A.I. RITE	SECTION	COUNTY	TOTAL SHEETS	SHEET NO.
REVISED - ---			.80	81-LHBY-D	ROCK ISLAND	120	77
REVISED - ---							CONTRACT NO. 64074
REVISED - ---	SCALE: 3/32" = 1" SHEET NO. ___ OF ___ SHEETS STA. _____ TO STA. _____		FED. ROAD DIST. NO. - ILLINOIS FED. AID PROJECT				