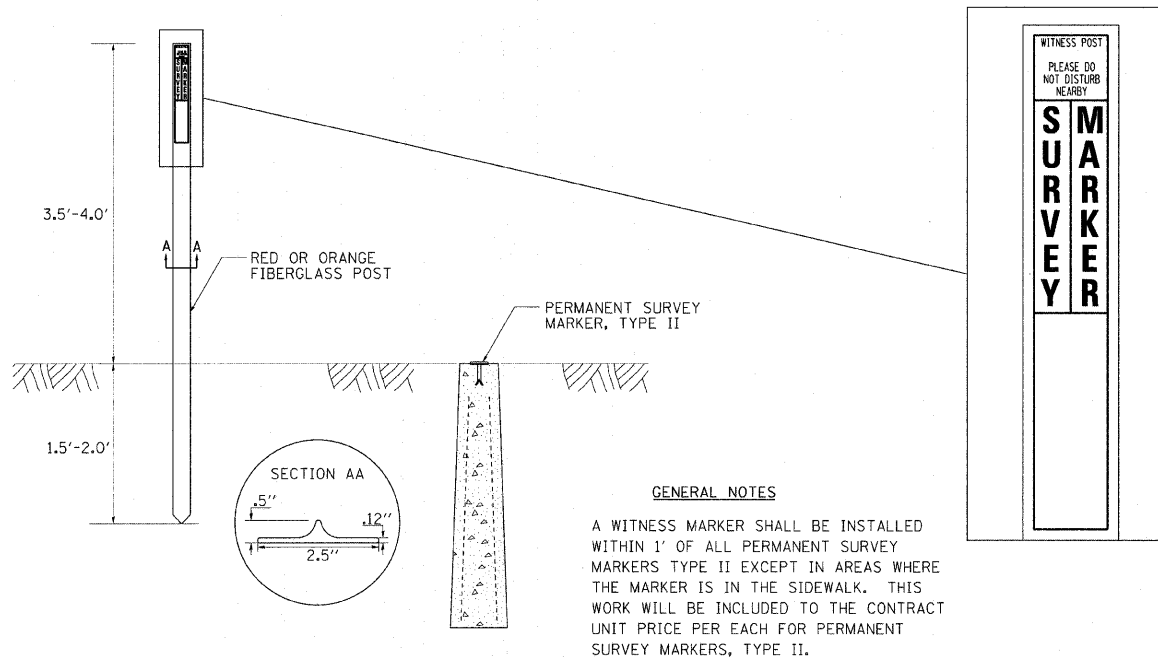
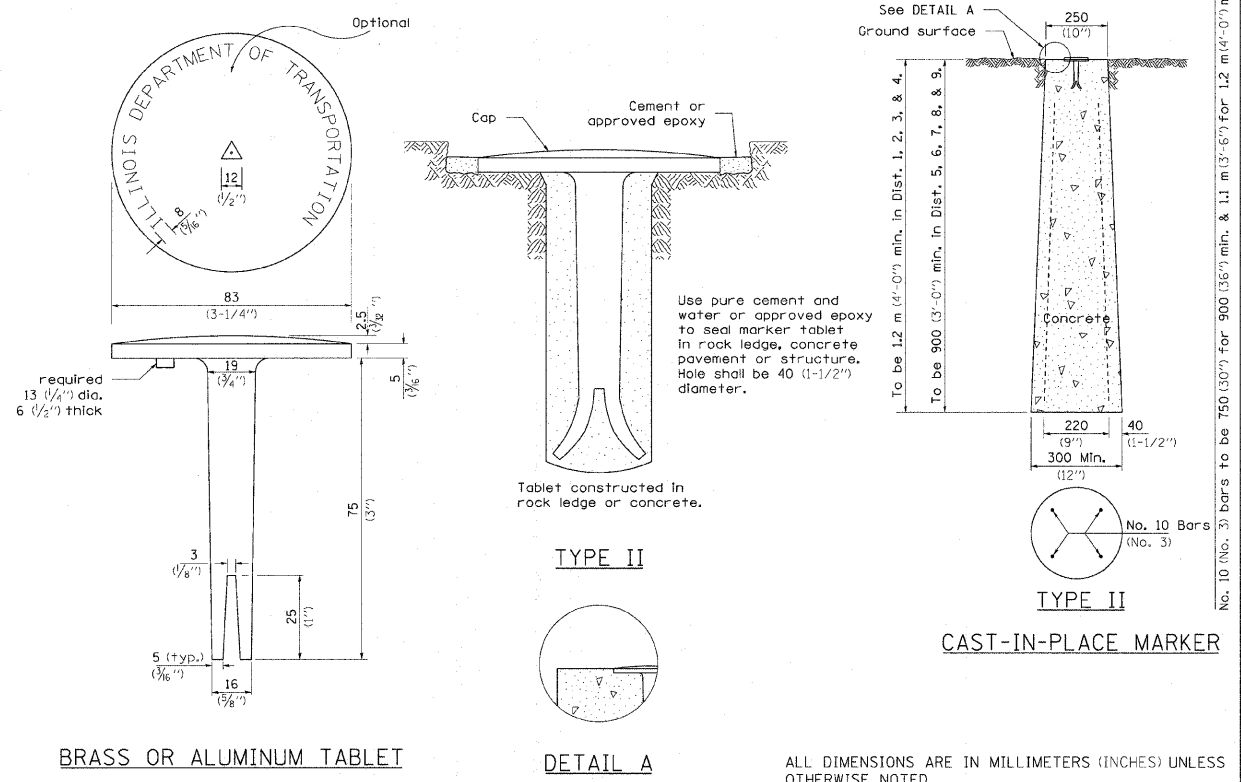


WITNESS MARKER FOR PERMANENT SURVEY MARKERS, TYPE II



GENERAL NOTES
 A WITNESS MARKER SHALL BE INSTALLED WITHIN 1' OF ALL PERMANENT SURVEY MARKERS TYPE II EXCEPT IN AREAS WHERE THE MARKER IS IN THE SIDEWALK. THIS WORK WILL BE INCLUDED TO THE CONTRACT UNIT PRICE PER EACH FOR PERMANENT SURVEY MARKERS, TYPE II.

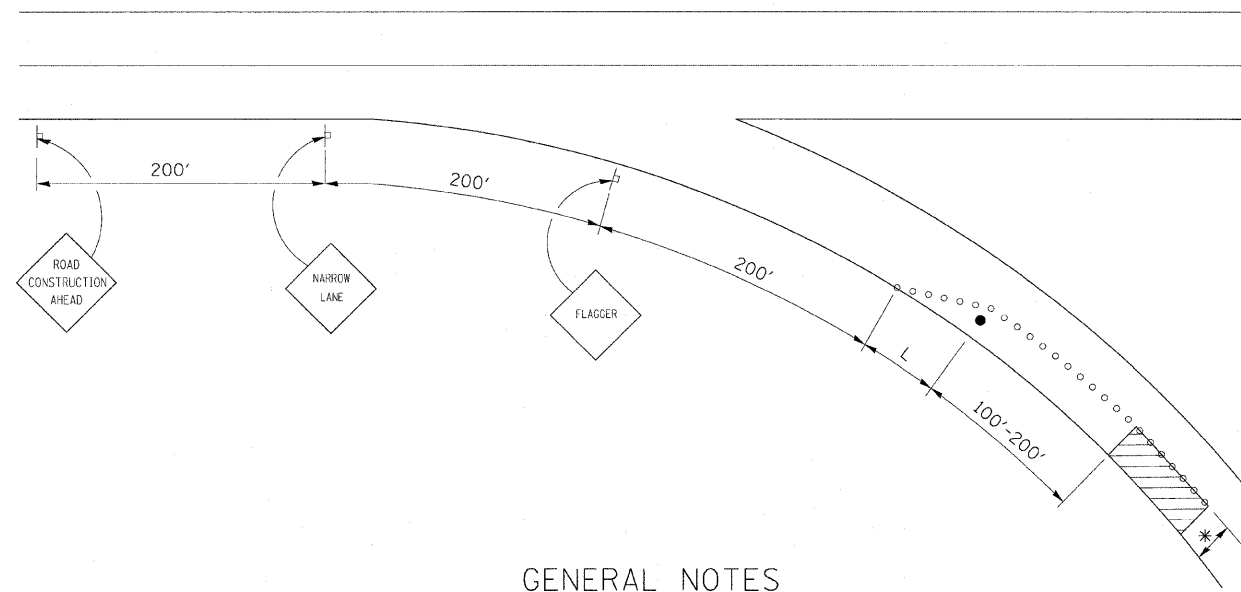
PERMANENT SURVEY MARKERS, TYPE II



ALL DIMENSIONS ARE IN MILLIMETERS (INCHES) UNLESS OTHERWISE NOTED.

REVISED - 6-26-06

TRAFFIC CONTROL AND PROTECTION FOR RAMPS



GENERAL NOTES

CONES AT 8 m (25') CENTERS FOR 105 m (350'). ADDITIONAL CONES MAY BE PLACED AT 15 m (50') CENTERS. WHEN DRUMS OR BARRICADES ARE USED, THE INTERVAL DEVICES MAY BE DOUBLED.

* WIDTH OF CLOSURE SHOWN ON RAMP PATCHING SCHEDULE OR AS DIRECTED BY ENGINEER.

L = CLOSURE WIDTH * TAPER RATIO IS SPEED LIMIT / 1 (POSTED OR ADVISORY)

ANY VISIBLE REPAIRS REQUIRED ON THE SHOULDER BECAUSE OF TRAFFIC SHALL BE PROVIDED AT THE CONTRACTORS EXPENSE. THE ENGINEER SHALL BE THE SOLE JUDGE FOR ANY SHOULDER REPAIRS.

THE RAMP SHALL BE COMPLETELY OPEN TO TRAFFIC BY NIGHTFALL.

TRAFFIC CONTROL AND PROTECTION FOR RAMPS SHALL BE INCLUDED IN THE COST OF STANDARD 701406 OR 701401

SYMBOLS

- WORK AREA
- SIGN
- BARRICADE OR DRUM
- CONE, DRUM OR BARRICADE
- FLAGGER WITH TRAFFIC CONTROL SIGN

ALL DIMENSIONS ARE IN MILLIMETERS (INCHES) UNLESS OTHERWISE NOTED.

REVISED - 10-15-04	REGION 2 / DISTRICT 2 STANDARD		F.A.I. RTE.	SECTION	COUNTY	TOTAL SHEETS	SHEET NO.	
REVISED - ---			80	81-LHBY-D	ROCK ISLAND	120	78	
REVISED - ---			CONTRACT NO. 64C74					
REVISED - ---			SCALE: 5/8" = 1'-0" IN SHEET NO. ___ OF ___ SHEETS STA. _____ TO STA. _____		FED. ROAD DIST. NO. - ILLINOIS FED. AID PROJECT			