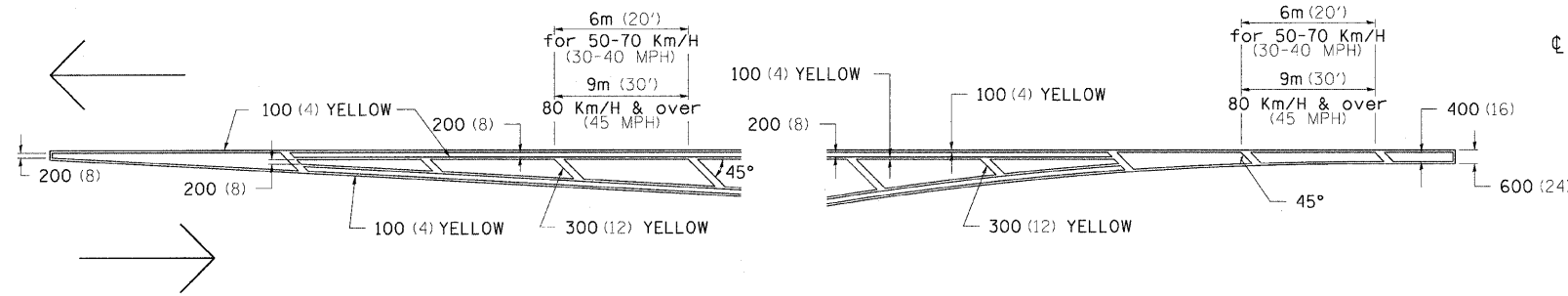
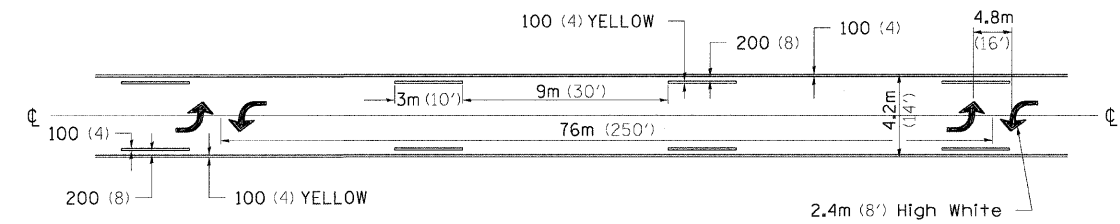


TYPICAL PAVEMENT MARKINGS

TYPICAL PAVEMENT MARKING FOR FLUSH MEDIAN AT LEFT TURN LANE

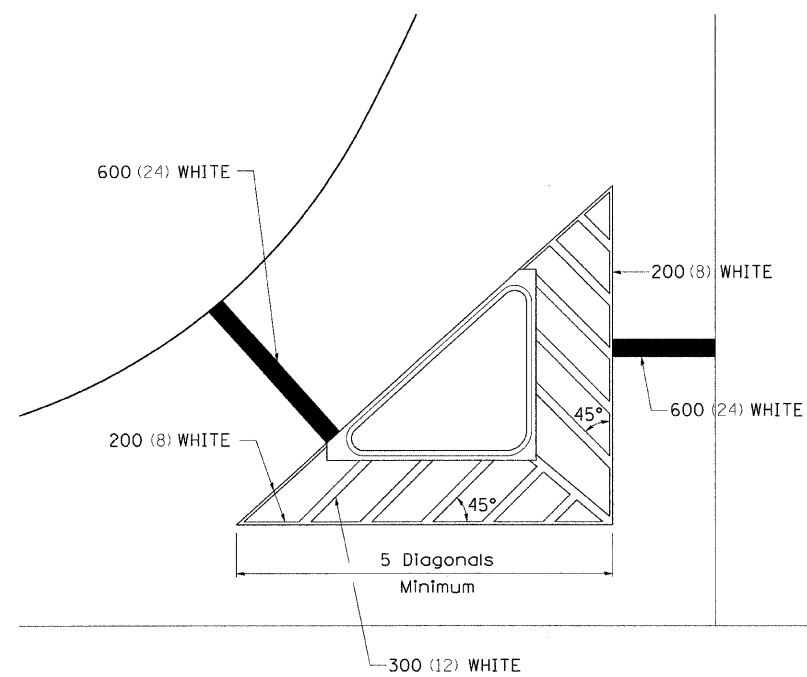


MEDIAN PAVEMENT MARKING

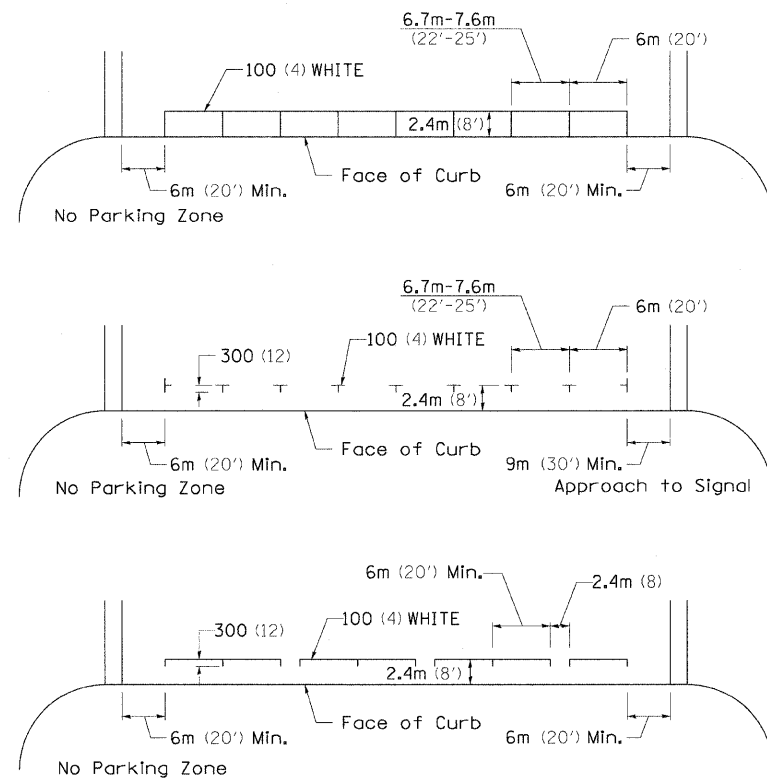


** ALL DIMENSIONS ARE IN MILLIMETERS (INCHES) UNLESS OTHERWISE NOTED.

TYPICAL ISLAND OFFSET SHOULDER WIDTH

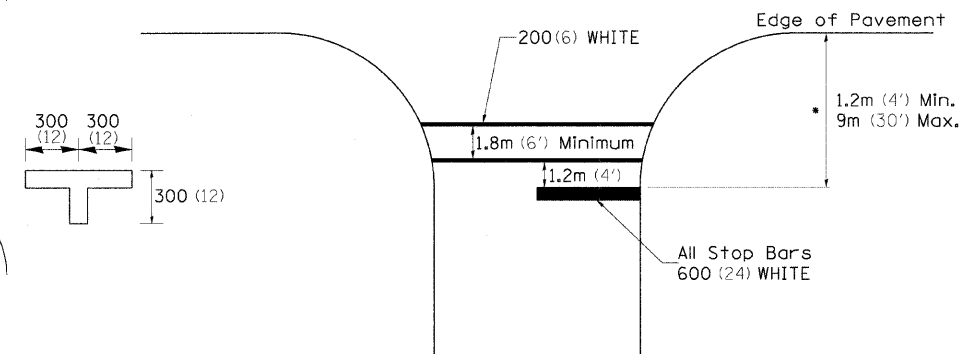


TYPICAL PARKING SPACING



STANDARD CROSSWALK MARKING

See Schedules for Locations



Distance to the nearest edge of the intersecting roadway in the absence of a marked crosswalk.

FILE NAME = C:\Projects\p200407\200407.dgn	USER NAME = jordanhd	DESIGNED - ---	REVISED - 1-11-08	STATE OF ILLINOIS DEPARTMENT OF TRANSPORTATION	REGION 2 / DISTRICT 2 STANDARD	F.A.I. RTE. _____	SECTION _____	COUNTY _____	TOTAL SHEETS _____	SHEET NO. _____		
PLLOT SCALE = 52.9412' / IN.	CHECKED - ---	REVISED - ---	_____			SCALE: _____	SHEET NO. _____ OF _____ SHEETS	STA. _____ TO STA. _____	81-IHBY-D	ROCK ISLAND	120	80
PLLOT DATE = Thu Feb 26 13:22:22 2008	DATE - ---	REVISED - ---	_____			FED. ROAD DIST. NO. _____	ILLINOIS FED. AID PROJECT		CONTRACT NO. 64C74			
						TYPICAL PAVEMENT MARKINGS SHEET 1 OF 2 41.1						