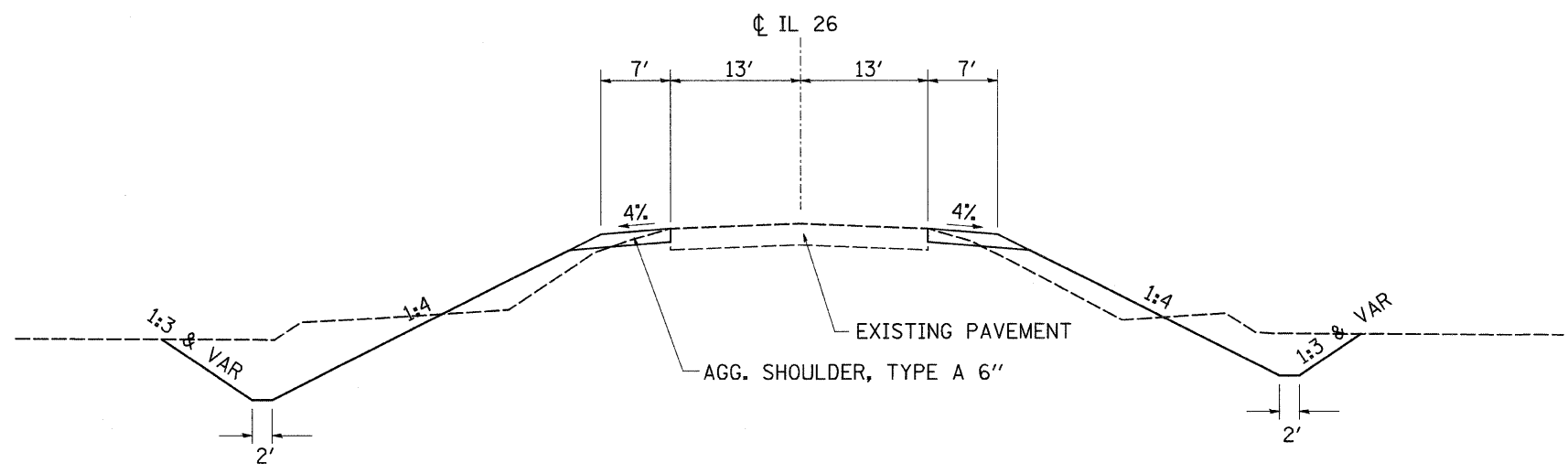


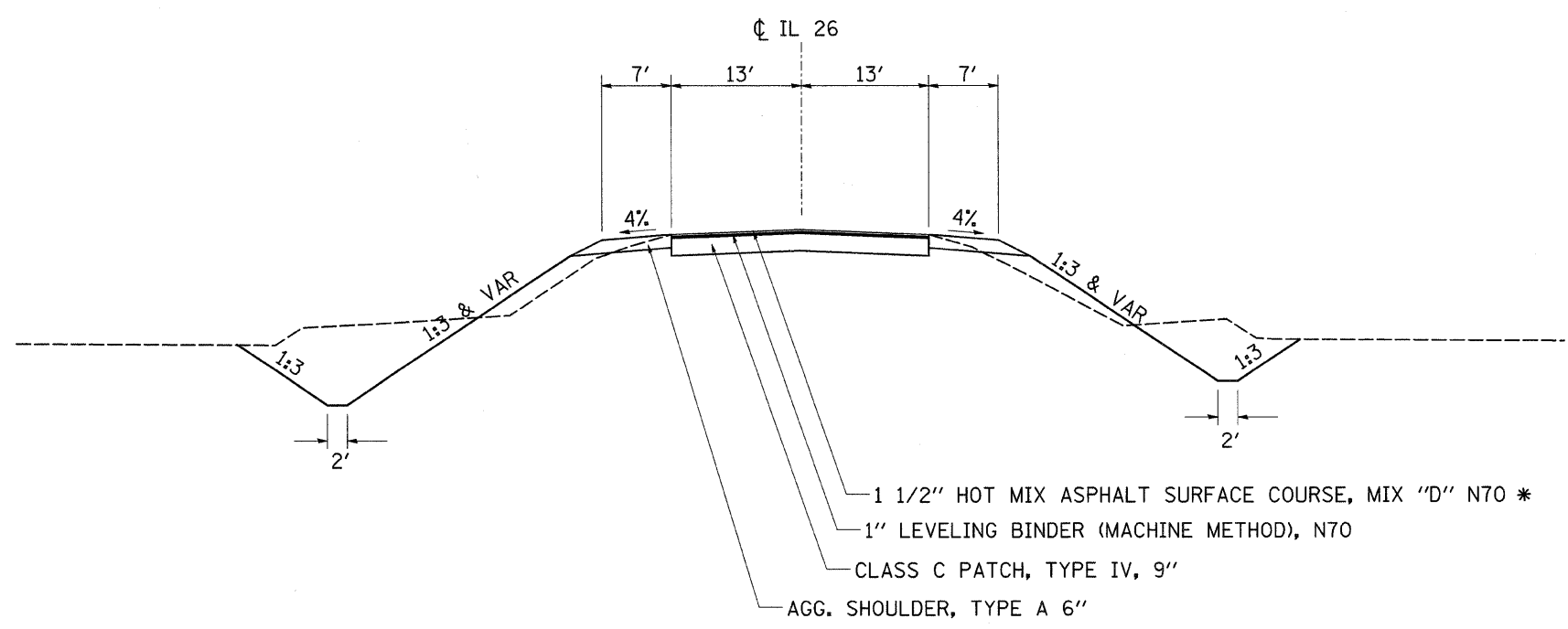
F.A.P. RTE.	SECTION	COUNTY	TOTAL SHEETS	SHEET NO.
316	102T	LEE	41	5
STA.		TO STA.		
FED. ROAD DIST. NO.		ILLINOIS FED. AID PROJECT		

TYPICAL SECTIONS

STA. 424+86 - STA. 431+50
 STA. 456+50 - STA. 457+51.50
 STA. 458+14.50 - STA. 459+00



STA. 457+51.50 - STA. 458+14.50



1 1/2" HOT MIX ASPHALT SURFACE COURSE, MIX "D" N70 *
 1" LEVELING BINDER (MACHINE METHOD), N70
 CLASS C PATCH, TYPE IV, 9"
 AGG. SHOULDER, TYPE A 6"

* 112 LB/SQ YD IN

REVISIONS		ILLINOIS DEPARTMENT OF TRANSPORTATION
NAME	DATE	
		SCALE: VERT. HORIZ. DATE DRAWN BY CHECKED BY

PLOT DATE = Thu, Jun 24 15:25:56 2009
 FILE NAME = C:\p\projects\10200000\10200000.dgn
 PLOT SCALE = 50.0000' / 1" IN.
 USER NAME = hmsontke