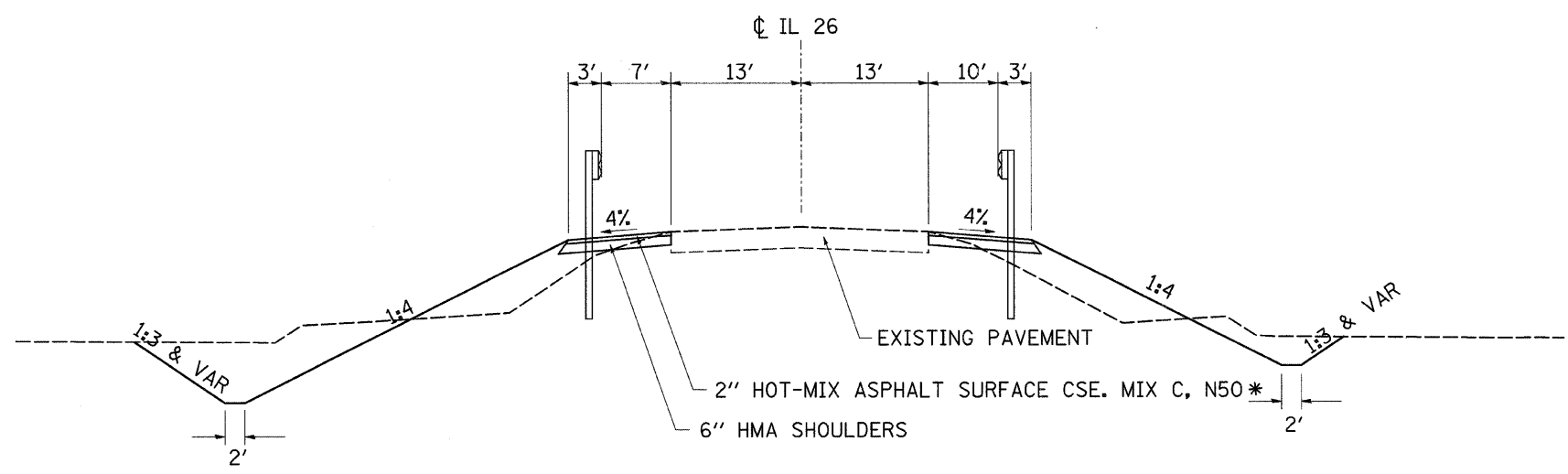


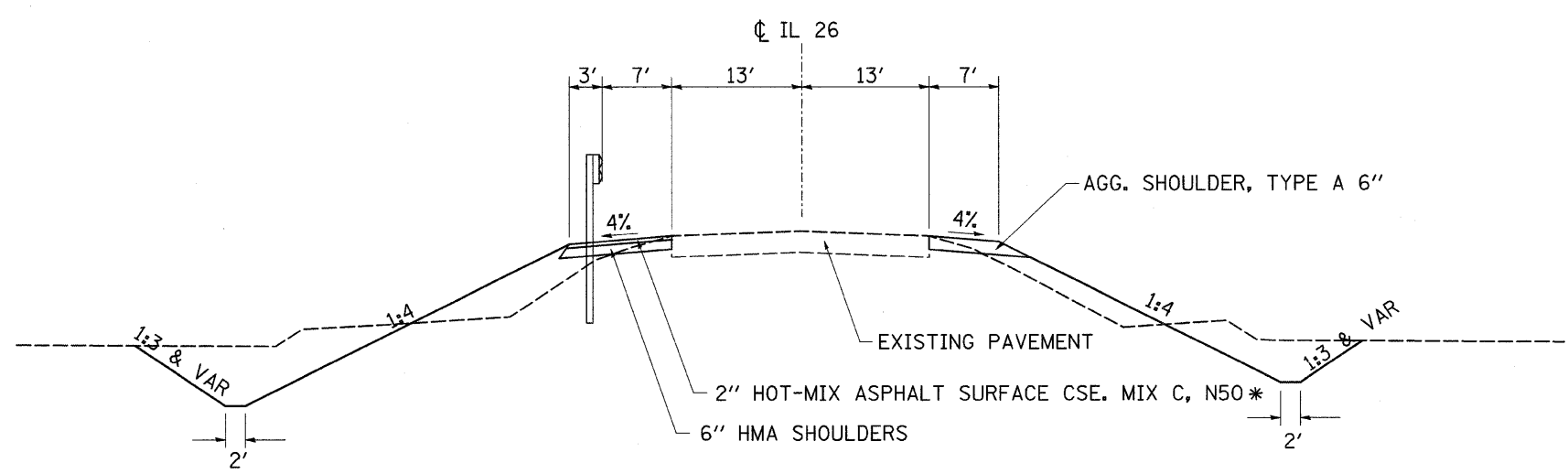
F.A.P. RTE.	SECTION	COUNTY	TOTAL SHEETS	SHEET NO.
316	102T	LEE	41	6
STA.		TO STA.		
FED. ROAD DIST. NO.		ILLINOIS	FED. AID PROJECT	

TYPICAL SECTIONS

STA. 421+56 - STA. 423+95.92



STA. 423+95.92 - STA. 424+86



* 112 LB/SQ YD IN

PLOT DATE = Thu, Jun 24, 10:26:56 2009
 FILE NAME = C:\p\projects\3208667\080667.dwg
 PLOT SCALE = 80.0000 / 1 IN.
 USER NAME = harsenke

REVISIONS		ILLINOIS DEPARTMENT OF TRANSPORTATION
NAME	DATE	

SCALE: VERT. DRAWN BY
 HORIZ. CHECKED BY
 DATE