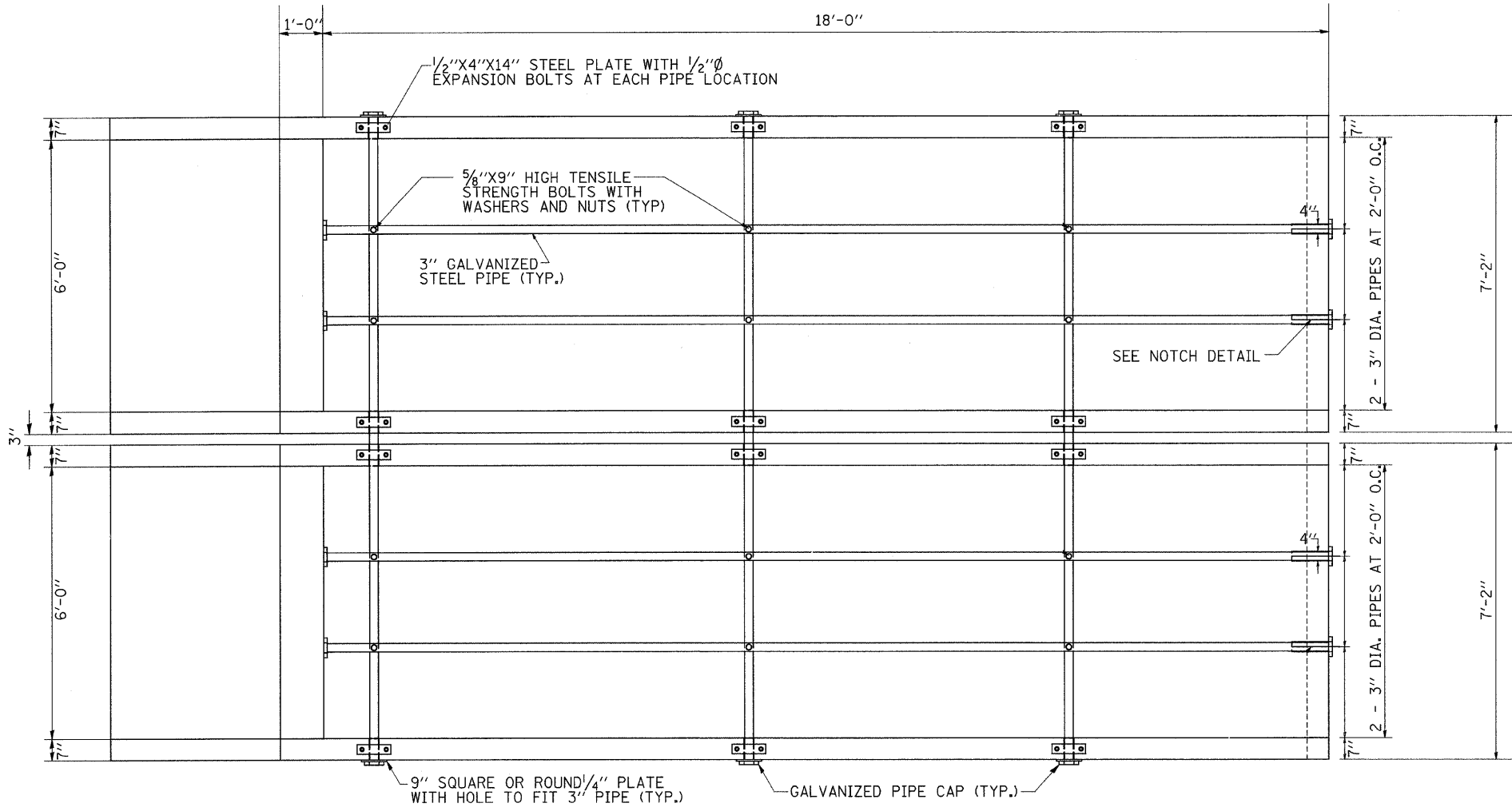
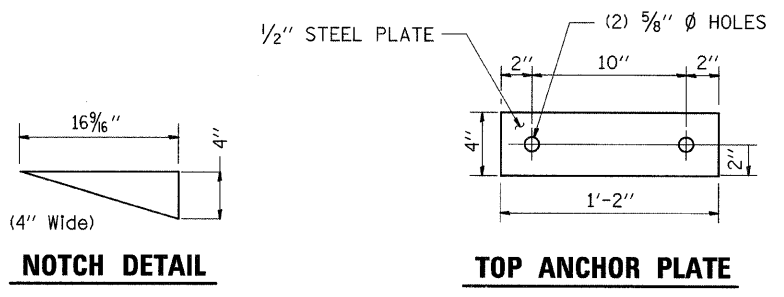


F.A.P. RTE.	SECTION	COUNTY	TOTAL SHEETS	SHEET NO.
316	102T	LEE	41	17
STA. 102+00.00		TO STA. 102+00.00		
FED. ROAD DIST. NO.		ILLINOIS	FED. AID PROJECT	

BOX CULVERT END SECTIONS

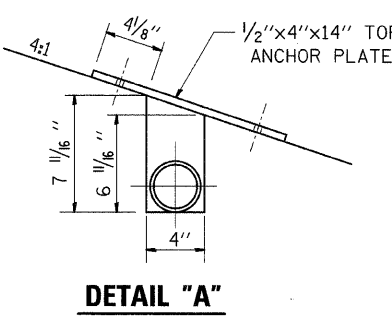


PLAN VIEW



NOTCH DETAIL

TOP ANCHOR PLATE



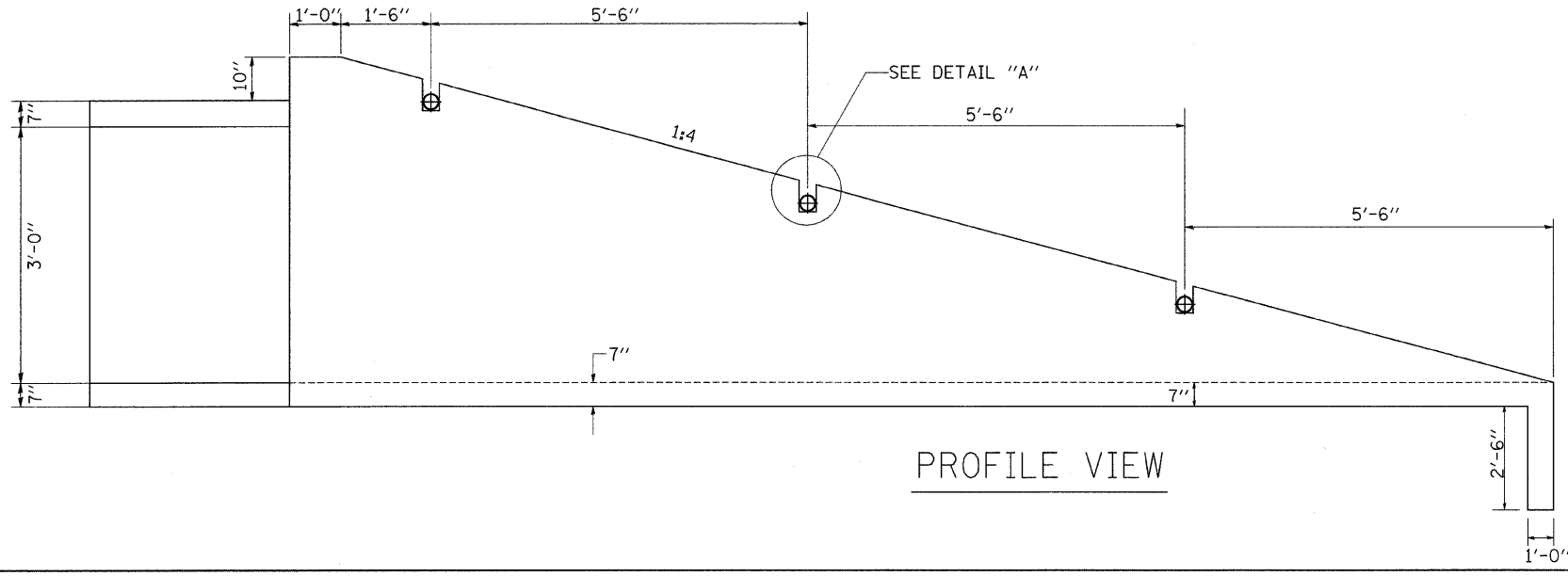
DETAIL "A"

BILL OF MATERIALS (FOR ONE EXTENSION)

DESCRIPTION	UNIT	QTY.
3" Galvanized Steel Pipe	4e	18'-0"
	3e	14'-11"
3" Galv Pipe Caps	EACH	14
1/4" Galv. Stl. Plate (9" Nominal)	EACH	6
1/2"x4"x14" Galv. Steel Plate	EACH	12
5/8"x9" Galv. Steel Bolts	EACH	12
Expansion Bolts 1/2"Ø	EACH	24

GENERAL NOTES:

- Slope flow line of the extension at the same rate as the flow line of the box.
- Bolts, Nuts, and Washers shall be in accordance with Article 1006.27(b), 1006.27(f) of the standard specification and shall be galvanized.
- The contract unit price "Each" for Grated Culvert Extension No. 2 shall be of precast construction. It shall also include the Class SI Concrete for the Collar, Galvanized Pipe, Bolts, Nuts, Washers, Steel Plates.
- Steel pipes shall conform to A.S.T.M. A-53 (Type E or S) Grade B, Schedule 40, and shall be galvanized conforming to A.S.T.M. A-120. Contractor shall field verify pipe length.
- Steel Plates shall conform to AASHTO M-183 and shall be galvanized conforming to AASHTO M-111.
- SEE PLAN AND PROFILE SHEET FOR MORE INFORMATION
- SEE CULVERT LOCATION PLANS FOR MORE INFORMATION



PROFILE VIEW

PLOT DATE = Thu Jan 24 15:32:54 2008
 FILE NAME = C:\Projects\102T\102T.dwg
 PLOT SCALE = 1/8" = 1'-0"
 USER NAME = hansenk