

REMOVE AND REERECT STEEL PLATE BEAM GUARDRAIL

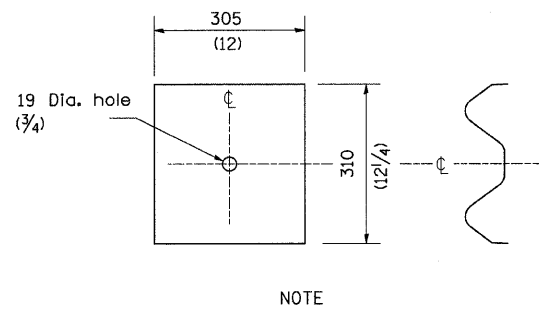
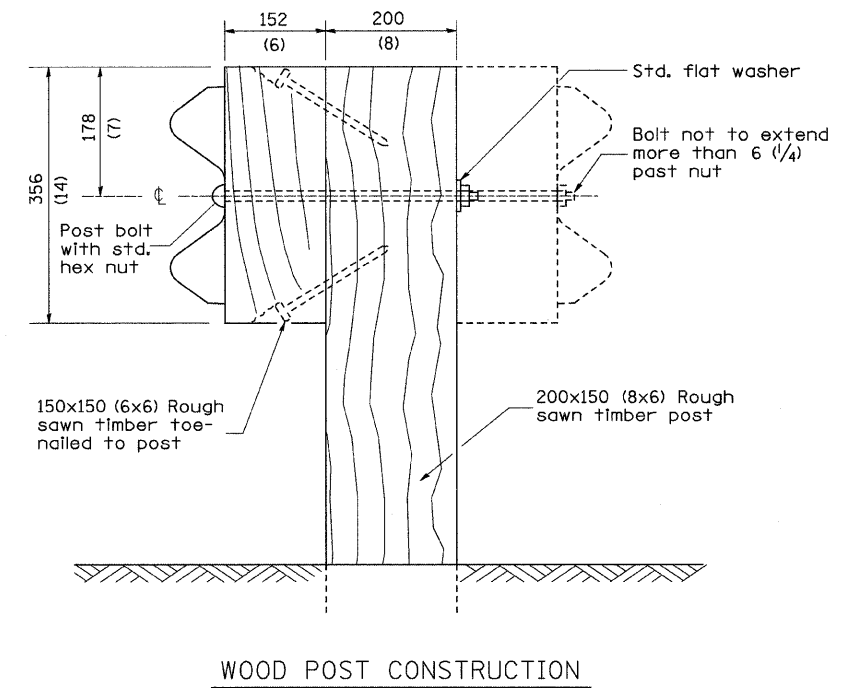
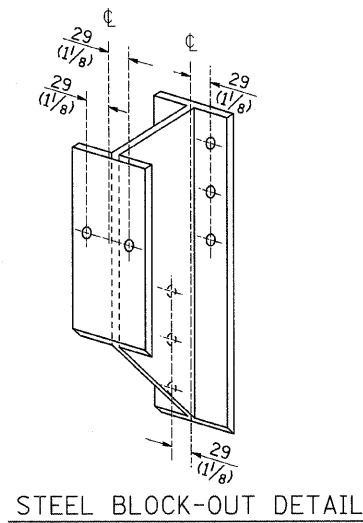
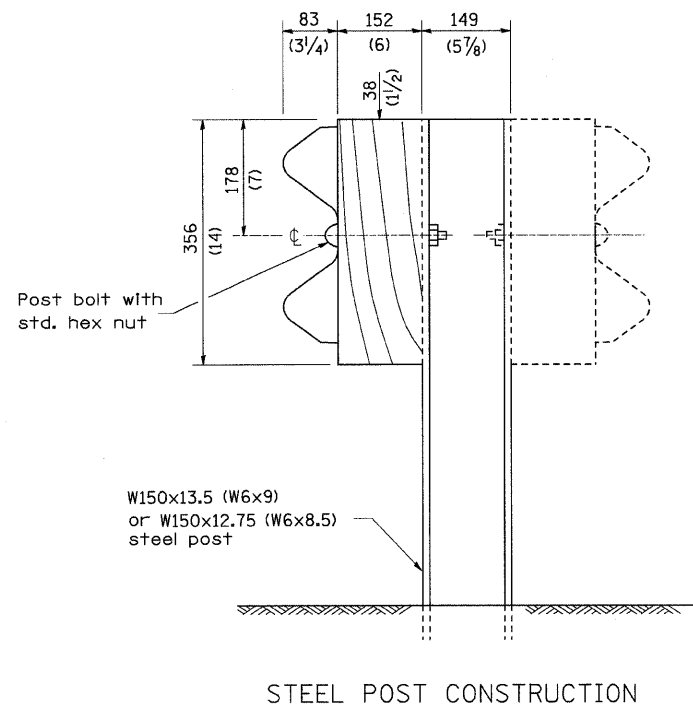
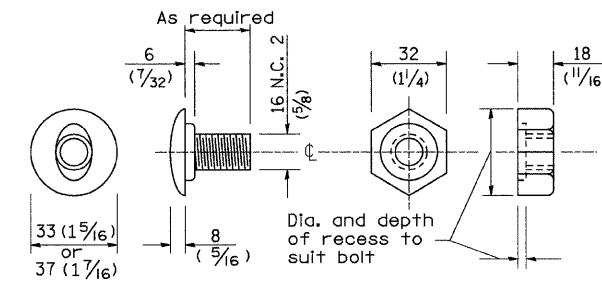


Plate A shall be placed between rail element and block-out at non-splice mounting points only when steel block-outs are used.

PLATE A



FILE NAME = C:\Projects\p200607\d00607sp1.dgn	USER NAME = hensonke	DESIGNED -	REVISED - 1-15-08	STATE OF ILLINOIS DEPARTMENT OF TRANSPORTATION	REGION 2 / DISTRICT 2 STANDARD			F.A.P. RTE. 316	SECTION 102T	COUNTY LEE	TOTAL SHEETS 40	SHEET NO. 28
PLOT SCALE = 50.0000' / IN.	CHECKED -	REVISED -	CONTRACT NO. 64C75									
PLOT DATE = Thu Jan 24 15:44:34 2008	DATE -	REVISED -	SCALE: SHEET NO. OF SHEETS STA. TO STA.					FED. ROAD DIST. NO.	ILLINOIS FED. AID PROJECT			