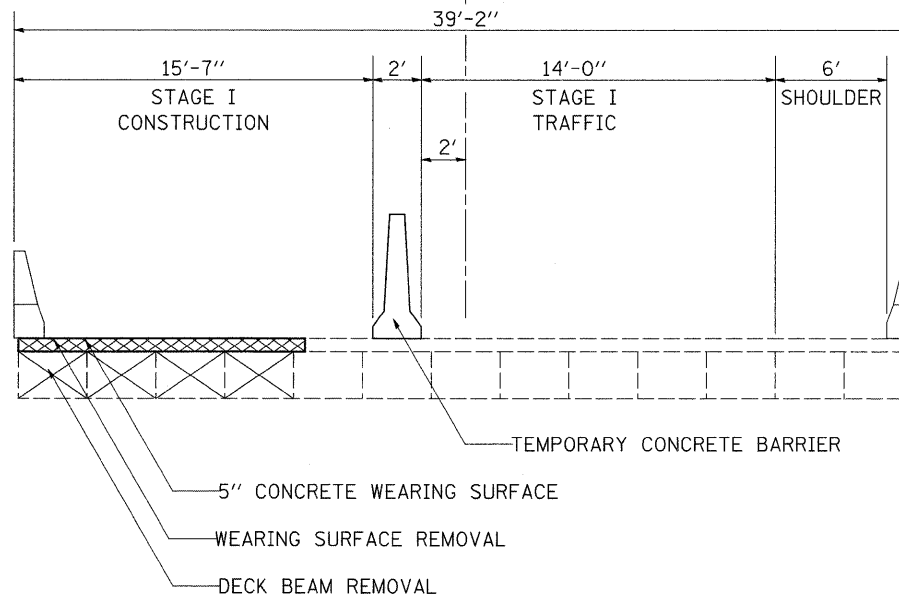


STAGING TYPICALS

STAGE I

SN 008-0029

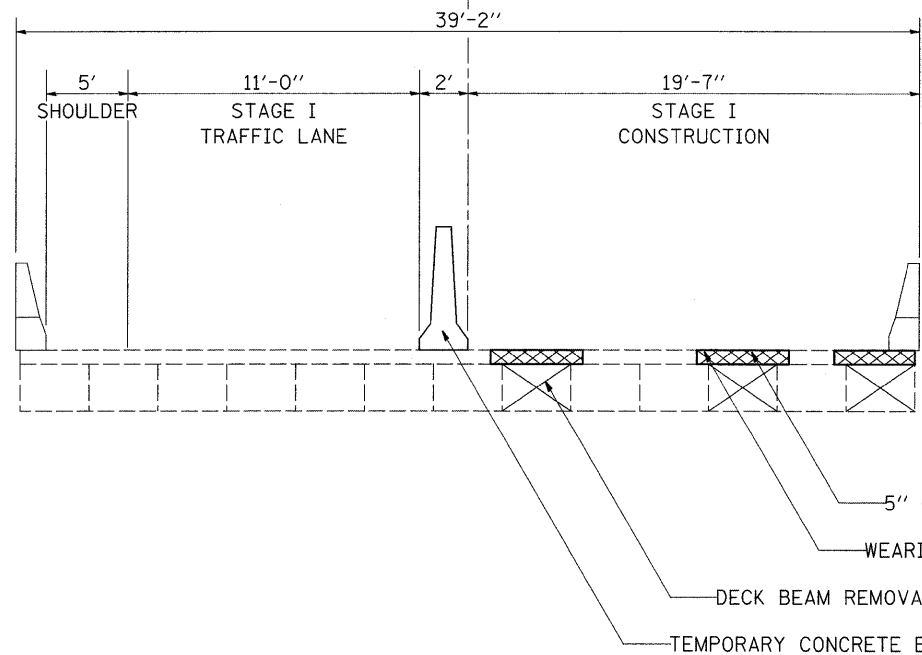
US 52/IL 64



STAGE I

SN 008-0030

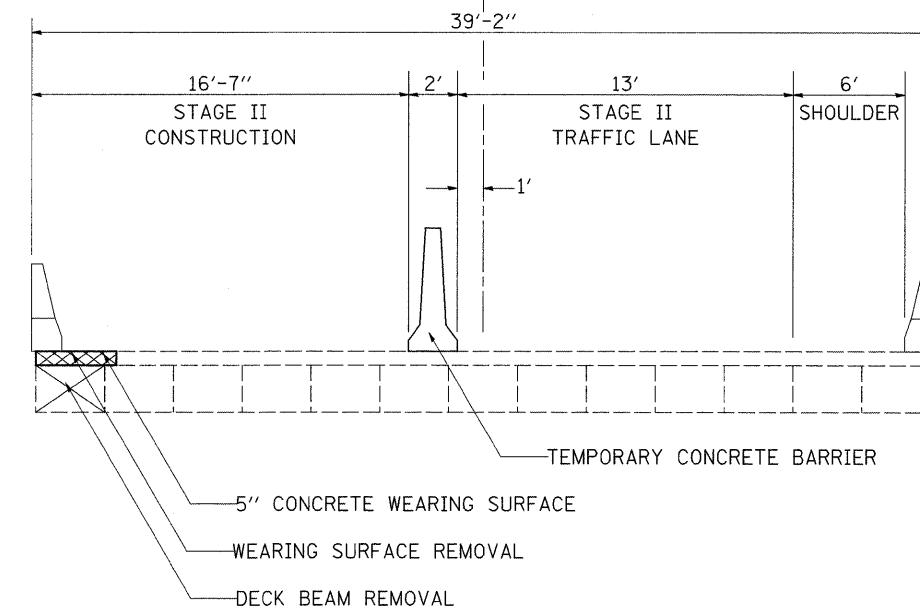
US 52/IL 64



STAGE II

SN 008-0030

US 52/IL 64



FILE NAME = c:\projects\p206887\d06887typ.dgn	USER NAME = duncanfa	DESIGNED -	REVISED -	STATE OF ILLINOIS DEPARTMENT OF TRANSPORTATION	US 52/IL 64 TYPICALS			F.A.P. RTE. 17	SECTION *	COUNTY CARROLL	TOTAL SHEETS 27	SHEET NO. 5
	PLOT SCALE = 20.0000' / IN.	DRAWN -	REVISED -		SCALE:	SHEET NO. 5 OF 27 SHEETS	STA.	TO STA.	FED. ROAD DIST. NO.	ILLINOIS FED. AID PROJECT	CONTRACT NO. 64D28	
	PLOT DATE = Thu Jan 24 11:07:24 2008	CHECKED -	REVISED -									
		DATE -	REVISED -									