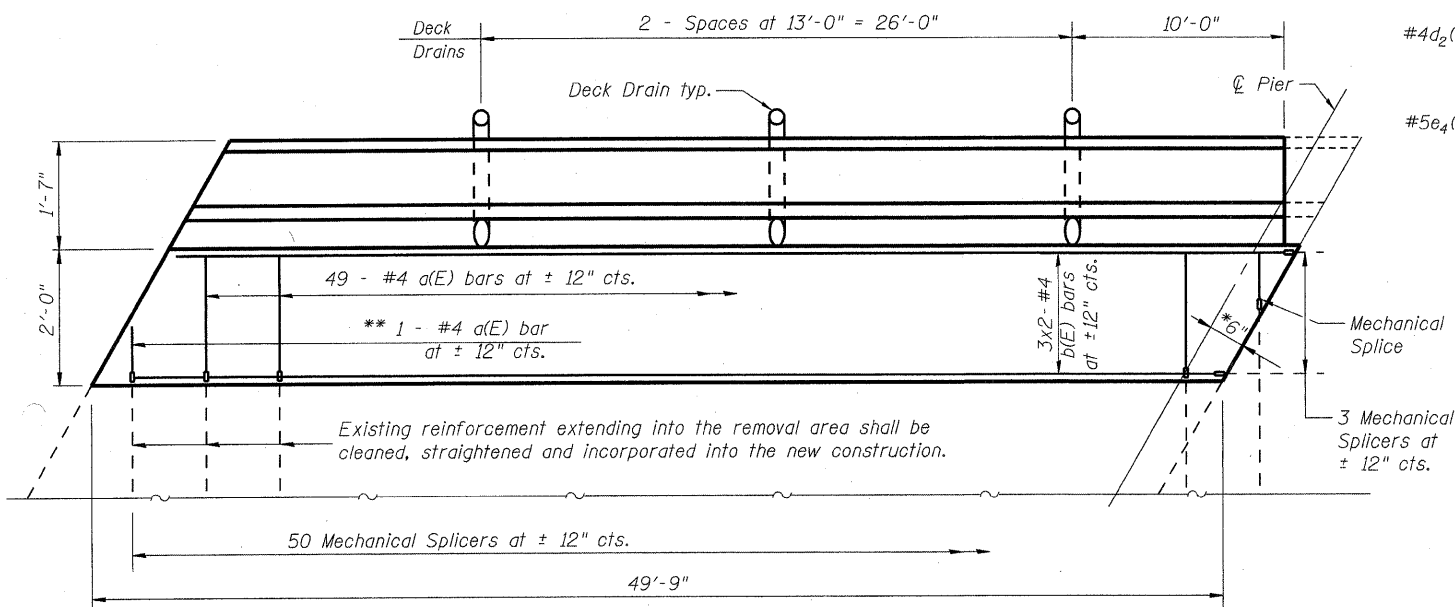


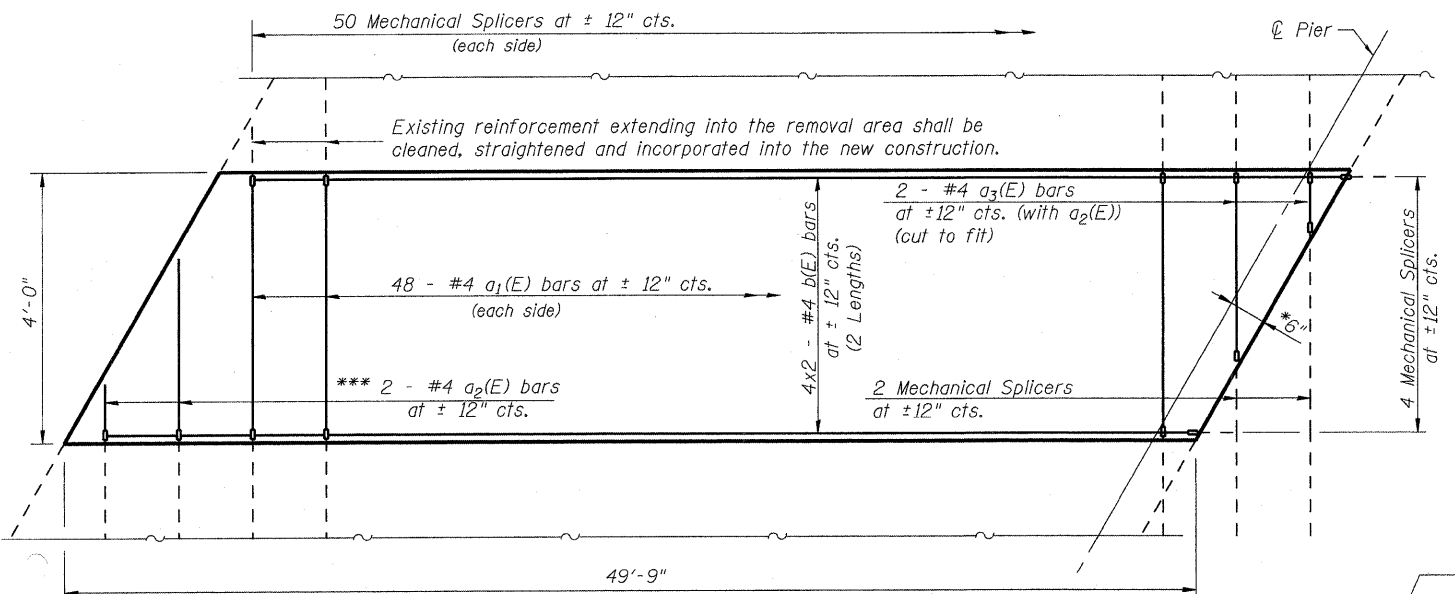
STATE OF ILLINOIS  
DEPARTMENT OF TRANSPORTATION

ROUTE NO.	SECTION	COUNTY	SHEET NO.	SHEET NO.
F.A.P. 17		CARROLL	27	19
FED. ROAD DIST. NO. 7	ILLINOIS	FED. AID PROJECT		

SHEET NO. 5  
6 SHEETS



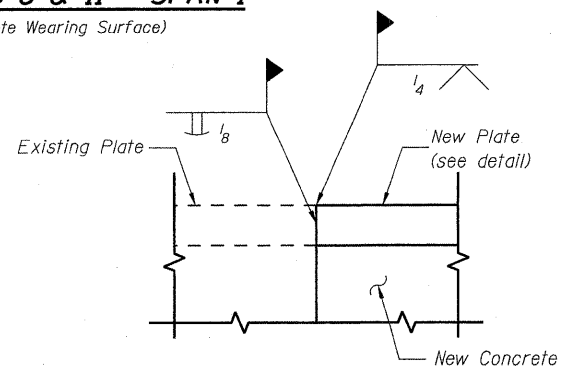
**PLAN BEAM 1 - SPAN 1**  
(Parapet & 5" Concrete Wearing Surface)



**PLAN BEAMS 8 & 11 - SPAN 1**  
(5" Concrete Wearing Surface)

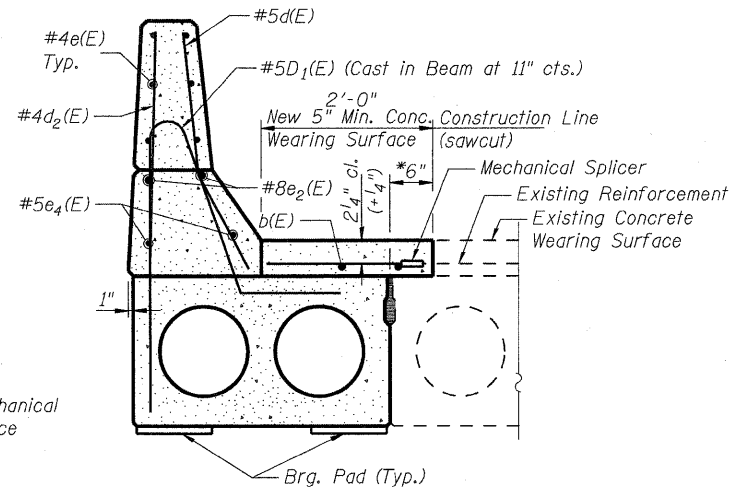
\* Limits of 5" min. Concrete Wearing Surface Removal. Cost included with Concrete Removal.

\*\*\* Order  $a_2(E)$  bars full length. Cut to fit skew and use remainder of bars in opposite end.



**ELEVATION JOINT PLATE WELD**

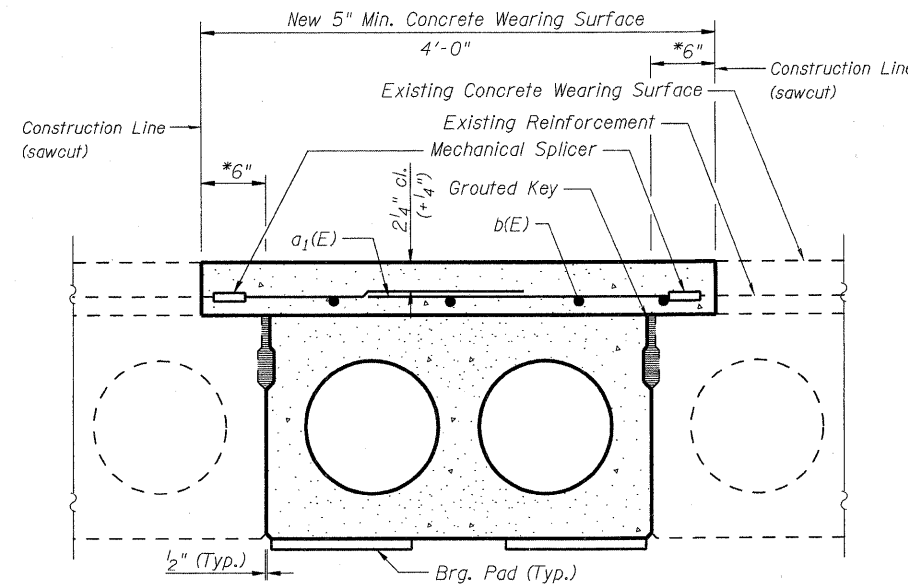
Cost Included with PPC Deck Beams



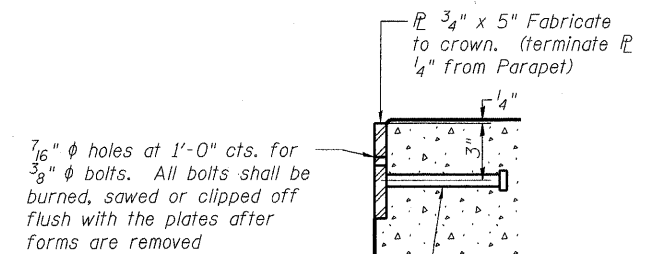
**SECTION THRU BEAM 1 & NORTH PARAPET**

\* Limits of 5" min. Concrete Wearing Surface Removal. Cost included with Concrete Removal.

\*\* Order  $a(E)$  bars full length. Cut to fit skew and use remainder of bars in opposite end.

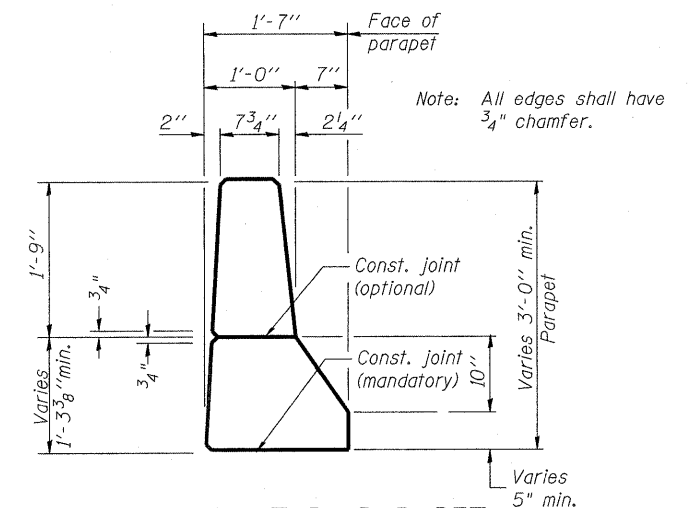


**SECTION THRU BEAMS 8 & 11**



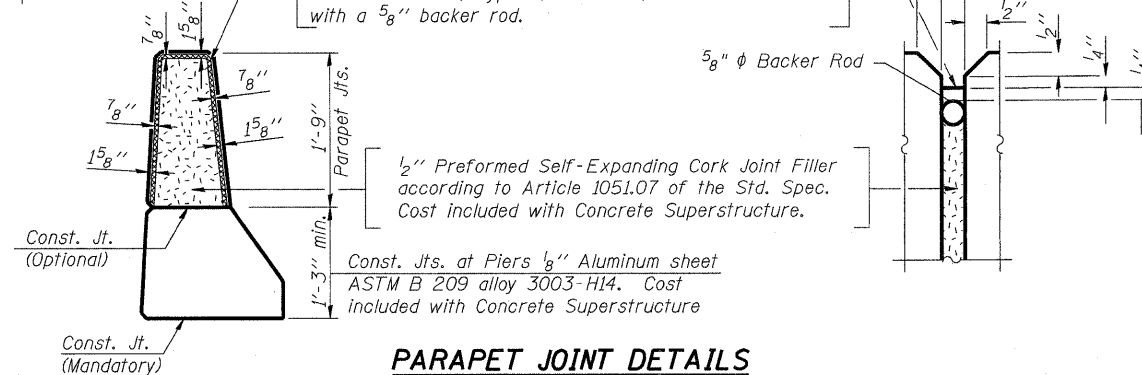
**NEW PLATE DETAIL**

(Cost Incidental to Concrete Wearing Surface, 5")



**SECTION THRU PARAPET**

Non-staining gray one component non-sag elastomeric gun grade polyurethane sealant meeting the requirements of ASTM C-920, Type S, Grade NS, Class 25. Use T with a  $5/8$ " backer rod.



**PARAPET JOINT DETAILS**

(see sheet 6 of 6 for locations)

Notes:

The exterior surfaces of the floor drains shall be painted with the finish coat as specified in the special provisions for Cleaning and Painting New Metal Structures. The exterior surfaces of the drains shall be cleaned according to Steel Structures Painting Council's Spec. SSPC-SP1 prior to painting.

DESIGNED	- DFM
CHECKED	- RB
DRAWN	- EBS
CHECKED	- DFM

**BILL OF MATERIALS**

See Sheet 6 of 6.

**SUPERSTRUCTURE DETAILS**

Sheet 1 of 2

F.A.P. 17 (US RTE 52 & IL RTE 64)

CARROLL COUNTY

STRUCTURE NO. 008-0030