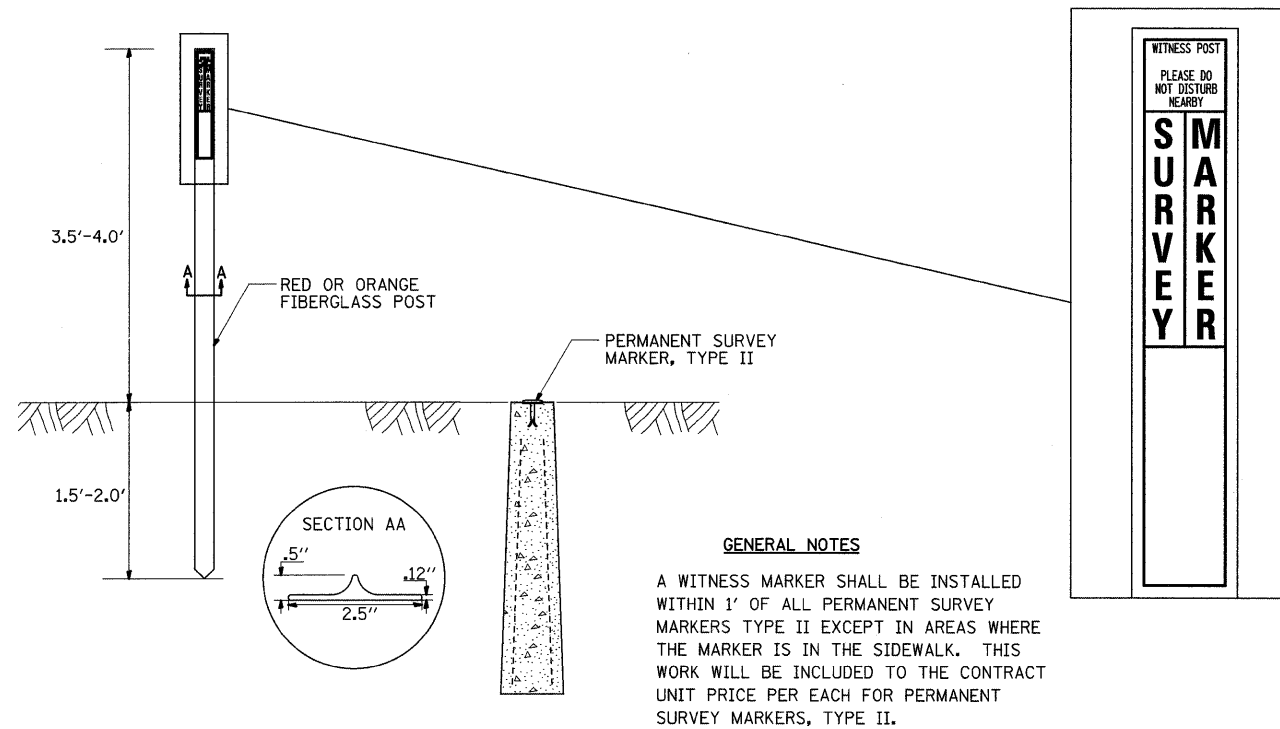
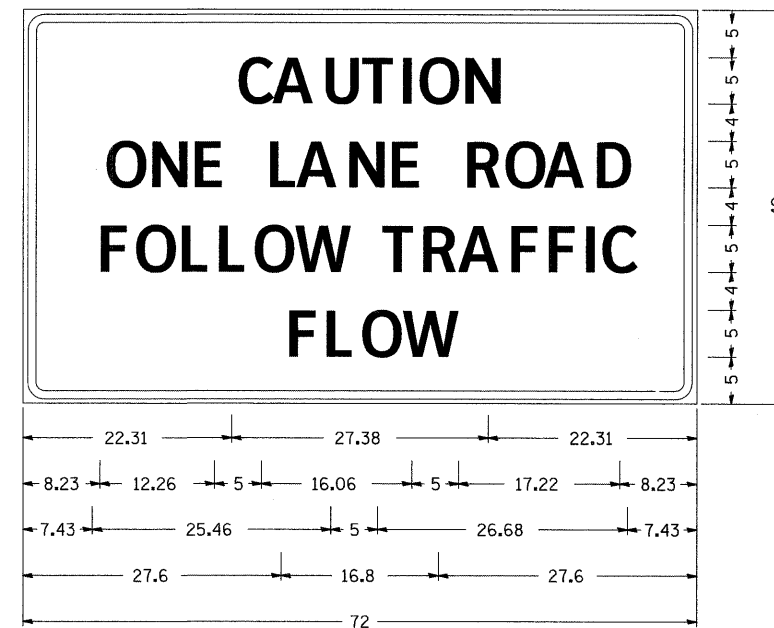


WITNESS MARKER FOR PERMANENT SURVEY MARKERS, TYPE II



ENTRANCE SIGN FOR USE WITH TEMPORARY SIGNALS



Type AA Fluorescent Orange Sheetting ;
 2.25" Radius, 0.88" Border, 0.50" Indent, Black on Orange;
 [CAUTION] D; [ONE LANE ROAD] D;
 [FOLLOW TRAFFIC] D; [FLOW] D

PERMANENT SURVEY MARKERS, TYPE II

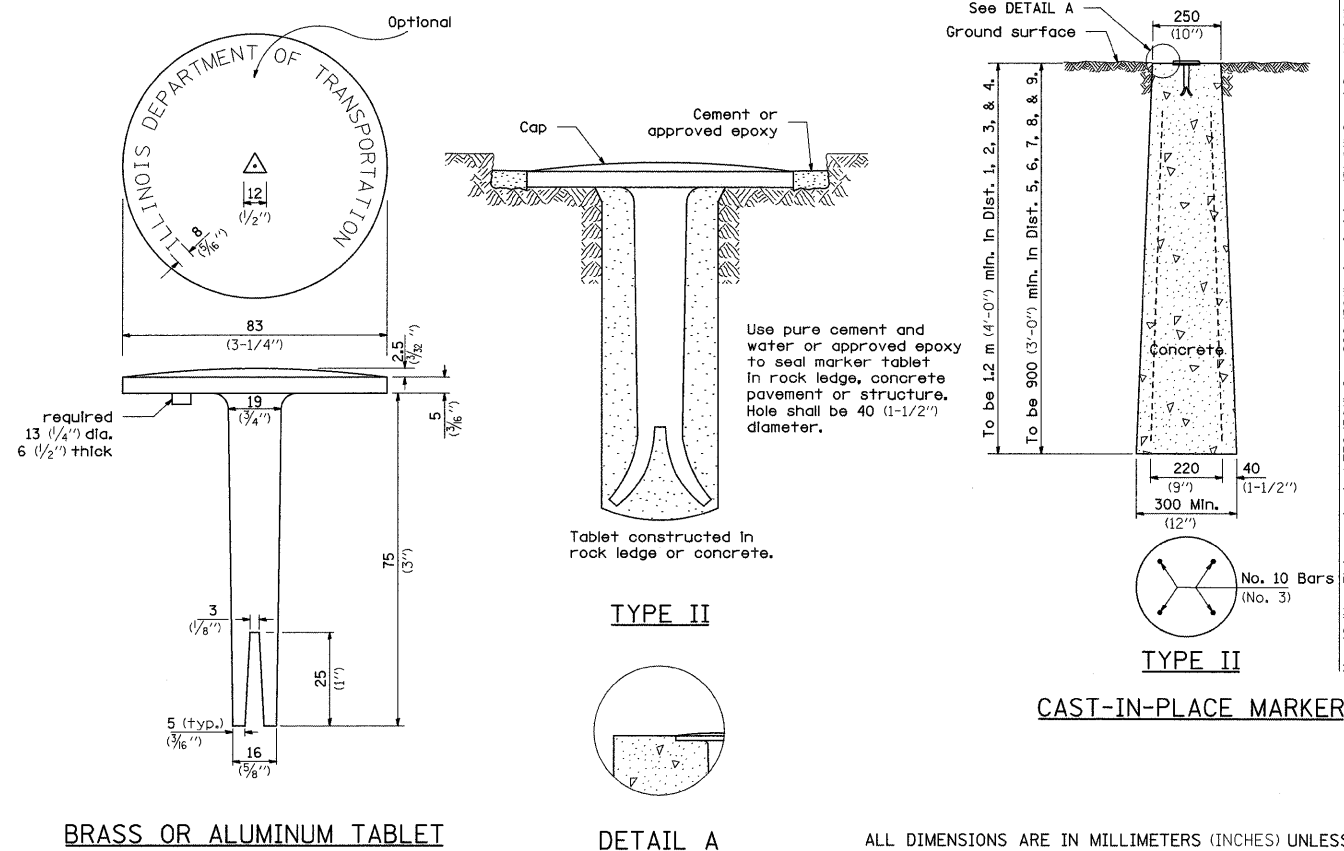


Table Of Widths And Spaces

22.31	C	3.36	A	0.62	4.18	0.94	U	3.36	0.94	T	3.04	0.94	I	0.78	1.17	O	3.52	1.17	N	3.36	22.31
8.23	O	3.51	N	1.17	3.36	1.18	E	3.04													
	L	3.05	A	0.31	4.18	0.94	N	3.36	1.17	E	3.05										
	R	3.36	O	0.93	3.52	0.94	A	4.18	0.93	D	3.36	8.23									
7.43	F	3.04	O	0.94	3.52	1.17	L	3.04	0.94	L	3.05	0.94	O	3.51	0.94	W	4.37				
	T	3.05	R	0.94	3.36	0.94	A	4.18	0.93	F	3.05	0.94	F	3.04	0.94	I	0.78	1.18	C	3.35	7.43
27.60	F	3.05	L	3.04	0.94	O	3.52	0.93	W	4.38	27.60										

GENERAL NOTES

THIS SIGN SHALL BE INSTALLED AT ENTRANCES LOCATED BETWEEN THE TEMPORARY SIGNALS AS DIRECTED BY THE ENGINEER.

ALL DIMENSIONS ARE IN INCHES UNLESS OTHERWISE NOTED.

THE COST TO FURNISH, INSTALL AND REMOVE THIS SIGN AT THE REQUIRED LOCATIONS SHALL BE INCLUDED IN THE COST OF TRAFFIC CONTROL AND PROTECTION STANDARD 701321.

ALL DIMENSIONS ARE IN MILLIMETERS (INCHES) UNLESS OTHERWISE NOTED.

REVISED - 6-26-06

REVISED - 10-28-05	REGION 2 / DISTRICT 2 STANDARD		F.A.P. RTE.	SECTION	COUNTY	TOTAL SHEETS	SHEET NO.
REVISED -			17	(4BR-21D) & (4BR-11D)	CARROLL	27	25
REVISED -			CONTRACT NO. 64D28				
REVISED -	SCALE: 20.0000' / IN SHEET NO. 25 OF 27 SHEETS		TO STA.		ILLINOIS FED. AID PROJECT		