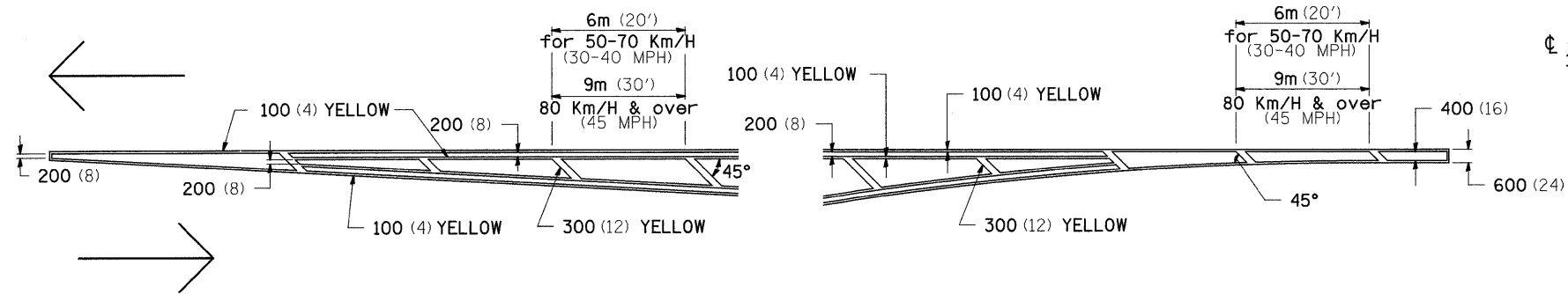
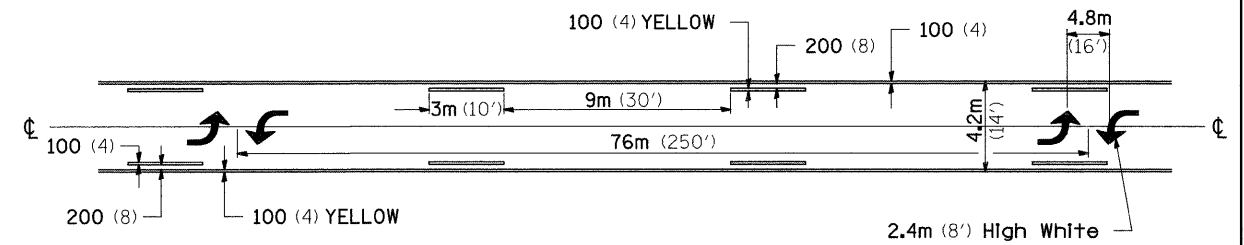


TYPICAL PAVEMENT MARKINGS

TYPICAL PAVEMENT MARKING FOR FLUSH MEDIAN AT LEFT TURN LANE

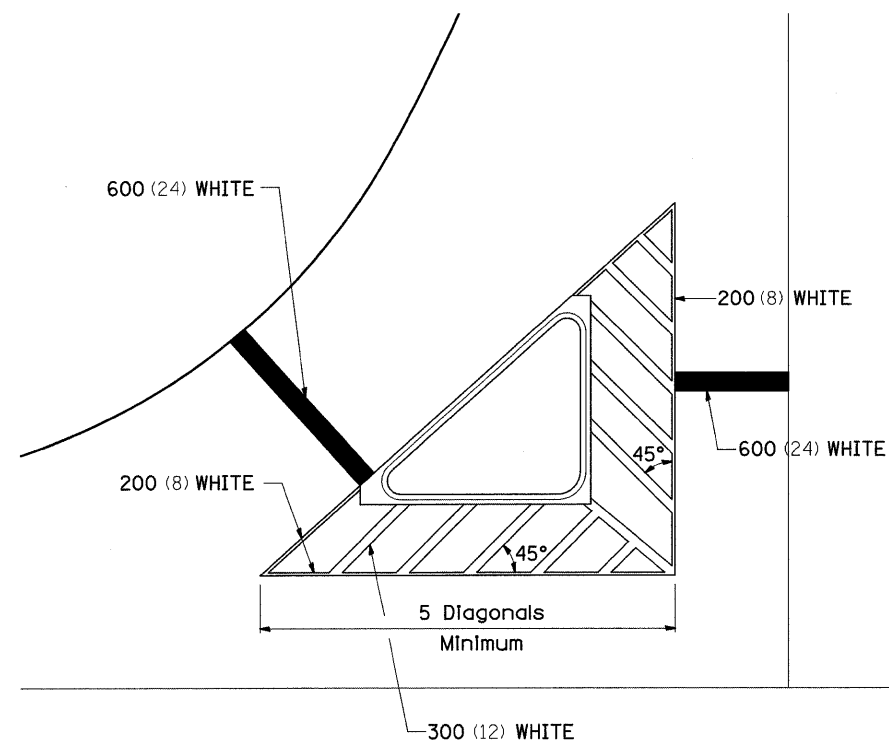


MEDIAN PAVEMENT MARKING

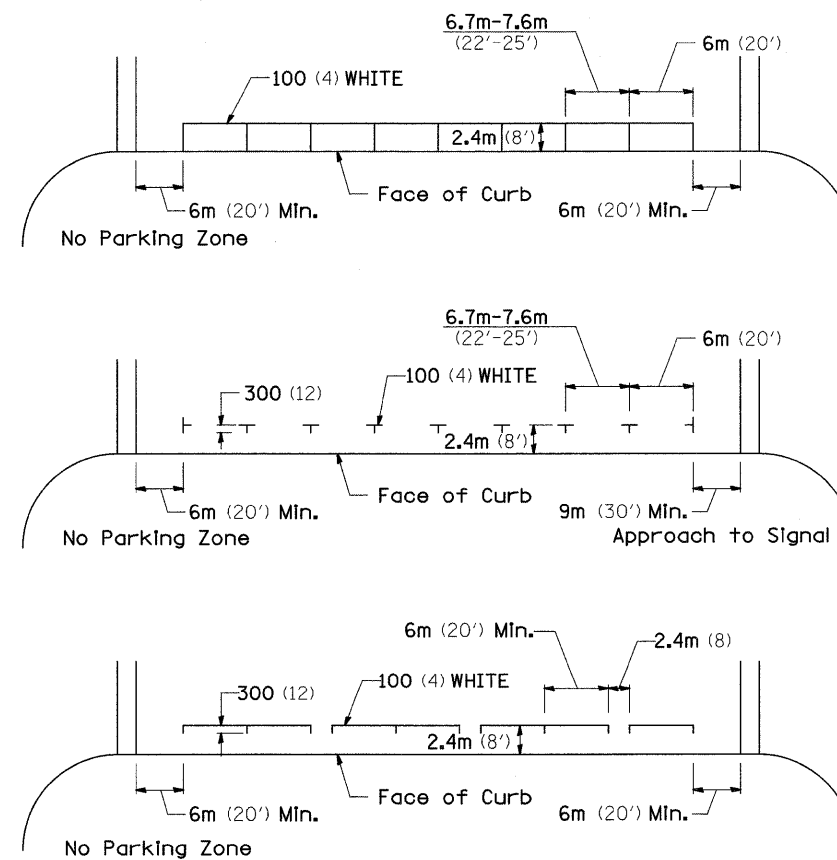


•• ALL DIMENSIONS ARE IN MILLIMETERS (INCHES) UNLESS OTHERWISE NOTED.

TYPICAL ISLAND OFFSET SHOULDER WIDTH

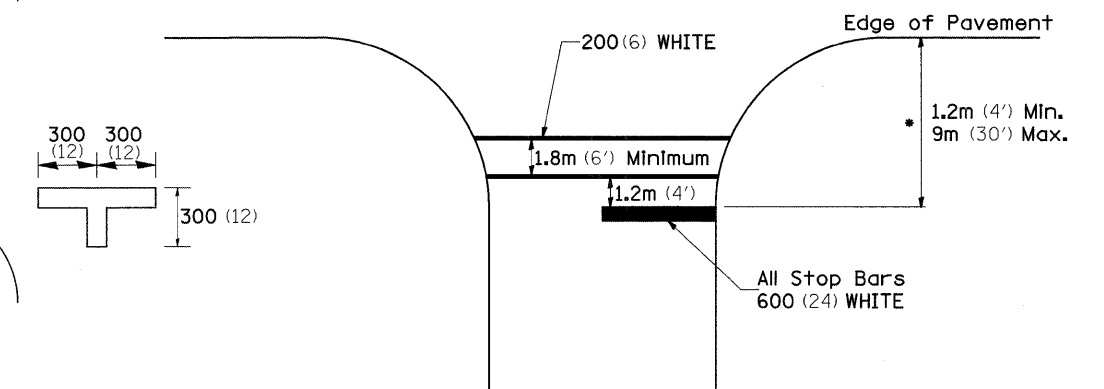


TYPICAL PARKING SPACING



STANDARD CROSSWALK MARKING

See Schedules for Locations



• Distance to the nearest edge of the intersecting roadway in the absence of a marked crosswalk.

FILE NAME =	USER NAME = dunoanfe	DESIGNED -	REVISED - 1-11-08	STATE OF ILLINOIS DEPARTMENT OF TRANSPORTATION	REGION 2 / DISTRICT 2 STANDARD	F.A.P. RTE.	SECTION	COUNTY	TOTAL SHEETS	SHEET NO.
c:\projects\p206887\d06887std.dgn	PLOT SCALE = 20.0000' / IN.	DRAWN -	REVISED -			17	(4BR-2)D & (4BR-1)D	CARROLL	27	26
	PLOT DATE = Thu Jan 24 11:07:41 2008	CHECKED -	REVISED -			CONTRACT NO. 64D28				
		DATE -	REVISED -			FED. ROAD DIST. NO. ILLINOIS FED. AID PROJECT				