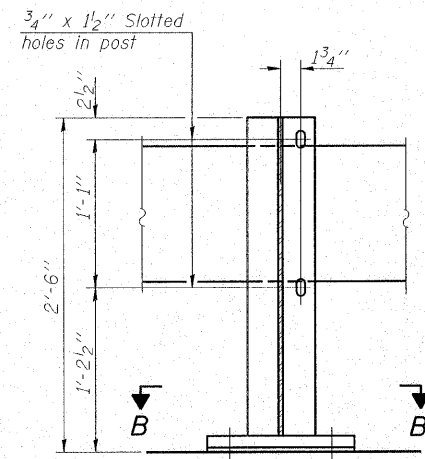
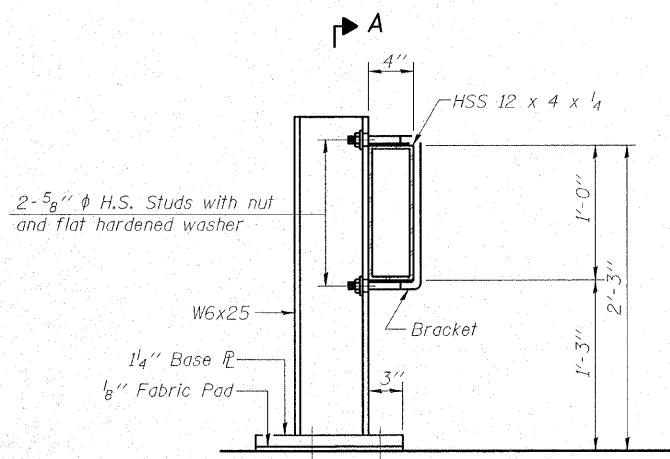


STATE OF ILLINOIS  
DEPARTMENT OF TRANSPORTATION

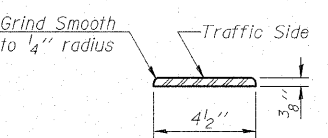
ROUTE NO.	SECTION	COUNTY	LENGTH	SHEET	SHEET NO. 4 25 SHEETS
FAU 2503	(35) BR-2	KENDALL	129	28	
FED. ROAD DIST. NO. 7		ILLINOIS	FED. AID PROJECT		Contract No. 66399



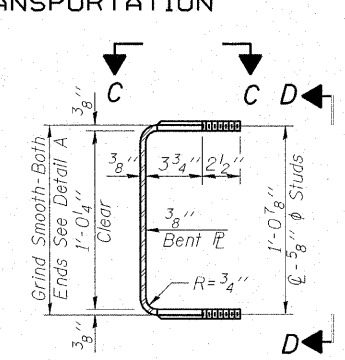
SECTION A-A



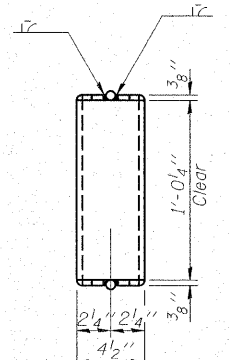
SECTION AT RAIL POST



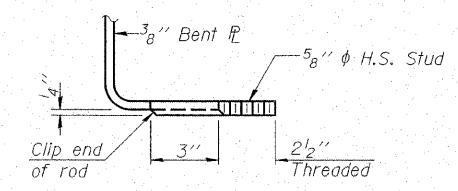
DETAIL A



SECTION THRU BRACKET

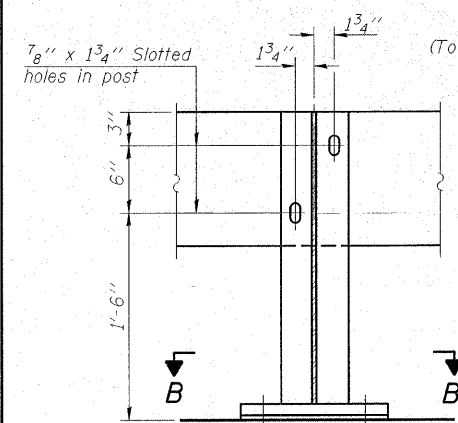


VIEW D-D

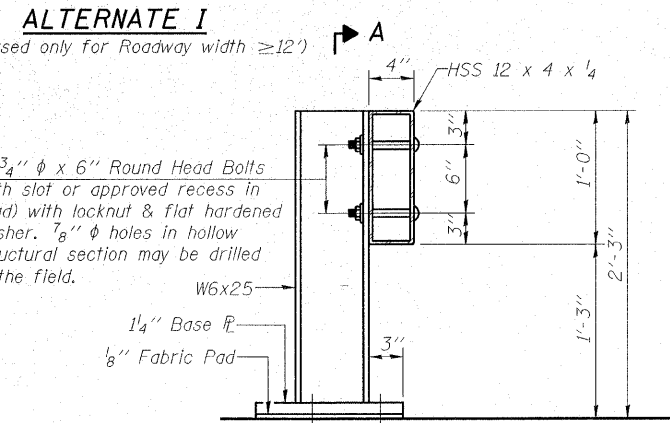


VIEW E-E

Notes:  
The contact surfaces between post flange, rail and inside face of bracket for Alternate I shall be free of all lubricants.  
The nut for 5/8 inch high strength studs used in Alternate I to connect bracket to post shall be tightened to a snug fit and given an additional one half turn.



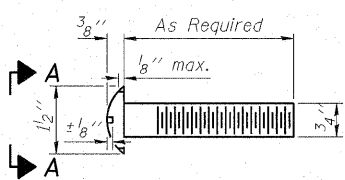
SECTION A-A



SECTION AT RAIL POST

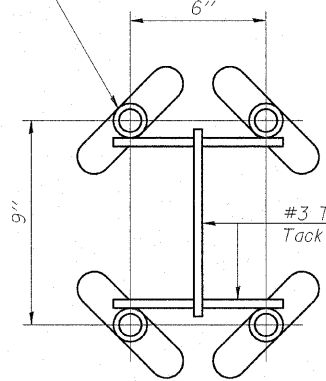
ALTERNATE I  
(To be used only for Roadway width  $\geq 12'$ )

2-3/4 inch diameter x 6 inch Round Head Bolts (With slot or approved recess in head) with locknut & flat hardened washer. 7/8 inch diameter holes in hollow structural section may be drilled in the field.

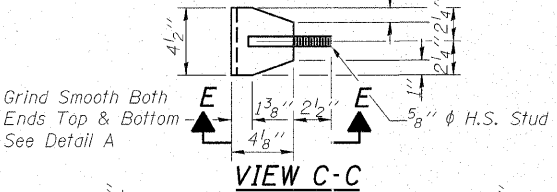


VIEW A-A  
ROUND HEAD BOLT

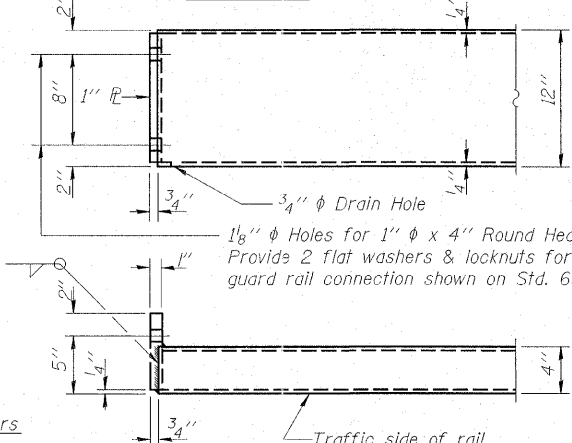
1 inch diameter Flared thin slab ferrule insert. Electroplated according to ASTM B 633 Service Condition 4.



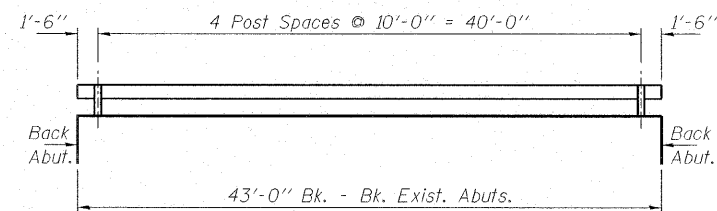
INSERT DETAIL



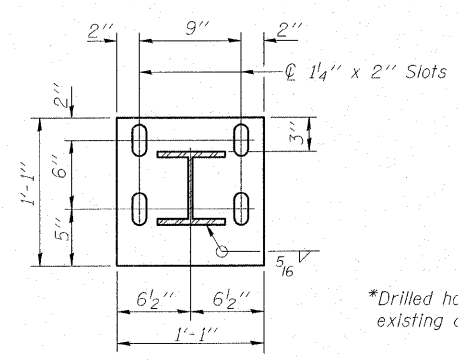
VIEW C-C



END OF RAIL DETAILS

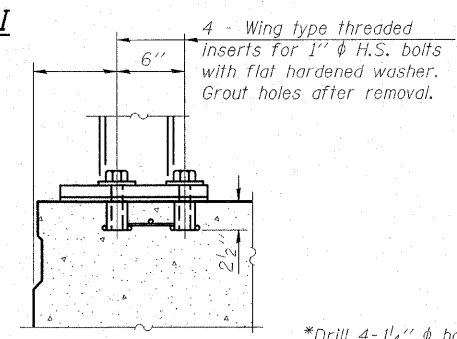


TEMPORARY BRIDGE RAIL POST SPACING



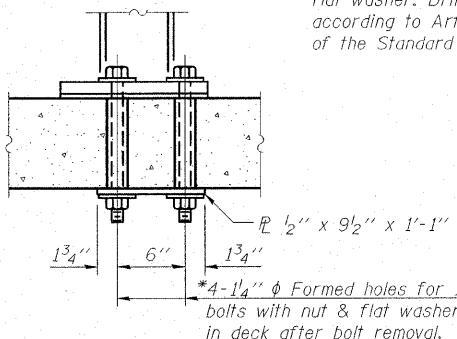
SECTION B-B

\*Drilled holes for existing deck.

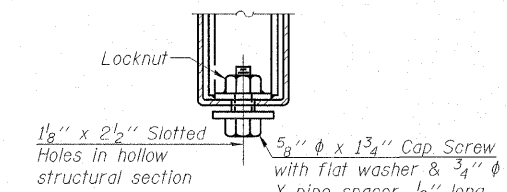


P.P.C. DECK BEAMS

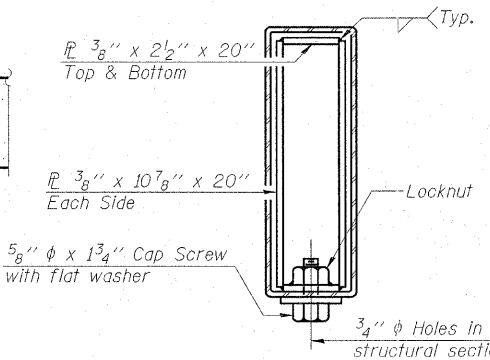
\*Drill 4-1 1/4 inch diameter holes for 1 inch diameter threaded rods with hex nut and flat washer. Drill and set rods according to Article 509.06 of the Standard Specifications.



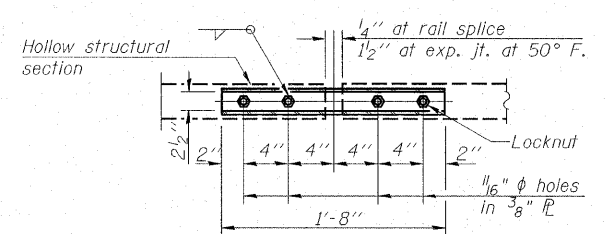
NEW & EXISTING DECKS  
ANCHORAGE DETAILS



RAIL SPLICE CONNECTION  
AT EXPANSION JT.



SECTION AT RAIL SPLICE



PLAN-BOTT. SPLICE R  
TYPICAL

BILL OF MATERIAL

Item	Unit	Quantity
Steel Railing (Temporary)	Foot	86.0

STEEL RAILING (TEMPORARY)  
IL 25 OVER WAUBONSEE CREEK  
F.A.U. ROUTE 2503 / SECTION (35) BR-2  
KENDALL COUNTY  
STATION 12+91.00  
STRUCTURE NO. 047-0062

**HAMPTON, LENZINI & RENWICK, INC.**  
CIVIL & STRUCTURAL ENGINEERS  
LAND SURVEYORS

3085 STEVENSON DRIVE, SUITE 201  
SPRINGFIELD, ILLINOIS 62703  
(217) 546-3400

ELGIN • SPRINGFIELD

PROJECT NUMBER: 12-06-0029-1 DATE: 01/14/08  
DESIGNED: P.S.L. CHECKED: M.D.C. DRAWN: D.A.B.