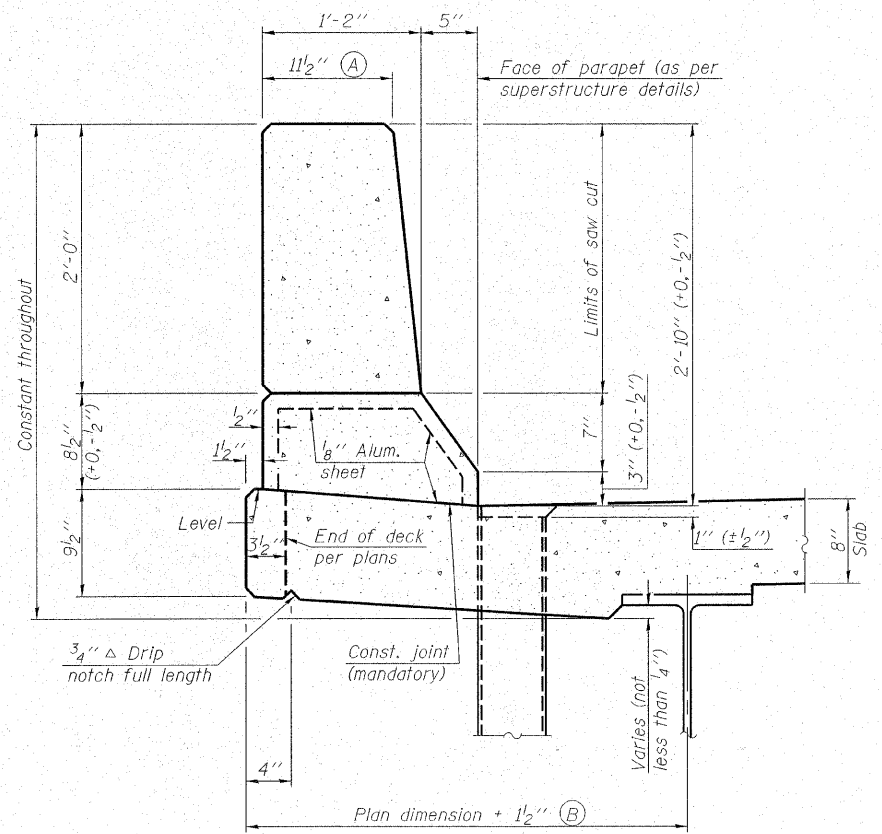


STATE OF ILLINOIS  
DEPARTMENT OF TRANSPORTATION

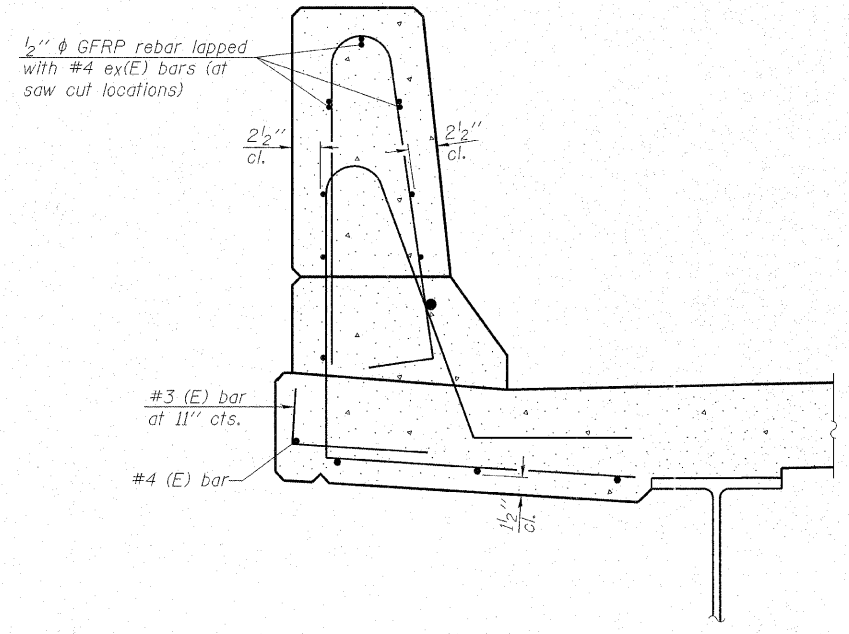
ROUTE NO.	SECTION	COUNTY	TOTAL SHEETS	SHEET NO.
FAU 2503	(35) BR-2	KENDALL	129	37
FED. ROAD DIST. NO. 7	ILLINOIS	FED. AID PROJECT		

Contract No. 66399

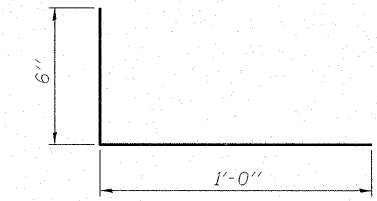
SHEET NO. 13  
25 SHEETS



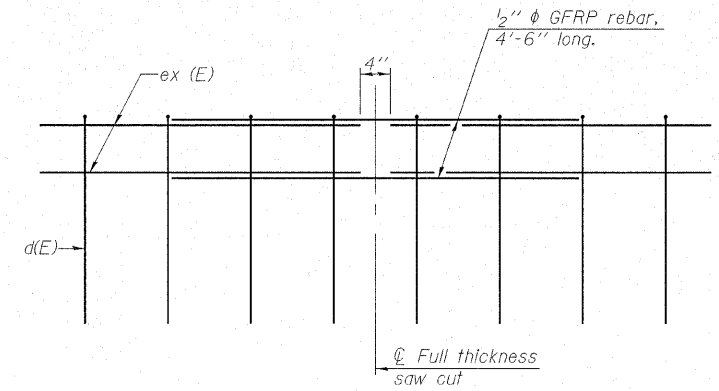
**SECTION**  
(Showing dimensions)



**SECTION**  
(Showing reinforcement clearances for slip forming and additional reinforcement bars)



**#3 (E) BAR**



**GFRP REBAR STIFFENING DETAIL**  
(Place as shown in parapet section at each parapet joint location.)

**GENERAL NOTES**  
All dimensions shall remain the same as shown on contract plans, except dimensions A and B which are to be revised as shown to provide additional clearance. Additional concrete needed to revise dimension A and B= 0.0165 cu. yds./ft. of parapet.  
Place aluminum sheet in curb portion at and near piers. Full thickness saw cut at all joint locations in lieu of cork joint filler.

**HAMPTON, LENZINI & RENWICK, INC.**  
CIVIL & STRUCTURAL ENGINEERS  
LAND SURVEYORS

**HLR**

3085 STEVENSON DRIVE, SUITE 201  
SPRINGFIELD, ILLINOIS 62703  
(217) 546-3400

ELGIN • SPRINGFIELD

PROJECT NUMBER: 12-06-0029-1 DATE: 01/14/08  
DESIGNED: P.S.L. CHECKED: M.D.C. DRAWN: D.A.B.

**SUPERSTRUCTURE DETAILS**

IL 25 OVER WAUBONSEE CREEK  
F.A.U. ROUTE 2503 / SECTION (35) BR-2  
KENDALL COUNTY  
STATION 12+91.00  
STRUCTURE NO. 047-0062