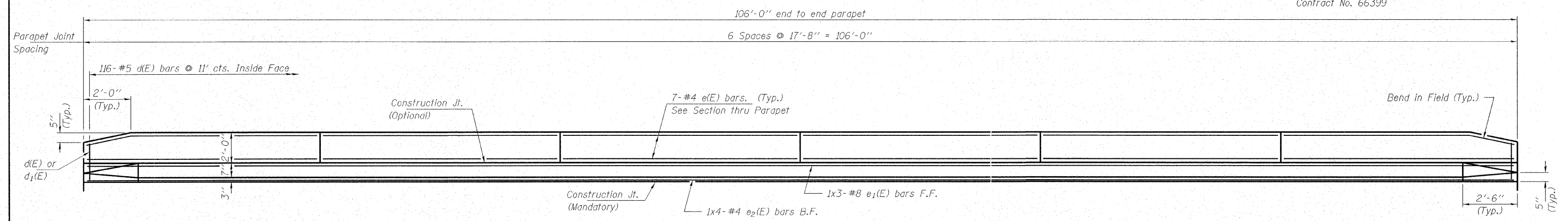


STATE OF ILLINOIS  
DEPARTMENT OF TRANSPORTATION

ROUTE NO.	SECTION	COUNTY	TOTAL SHEETS	SHEET NO.
FAU 2503	(35) BR-2	KENDALL	129	38
FED. ROAD DIST. NO. 7		ILLINOIS	FED. AID PROJECT	
Contract No. 66399				

SHEET NO. 14  
25 SHEETS



Note: Bars indicated thus 1x3-#8 etc. indicates 1 line of bars with 3 lengths per line.

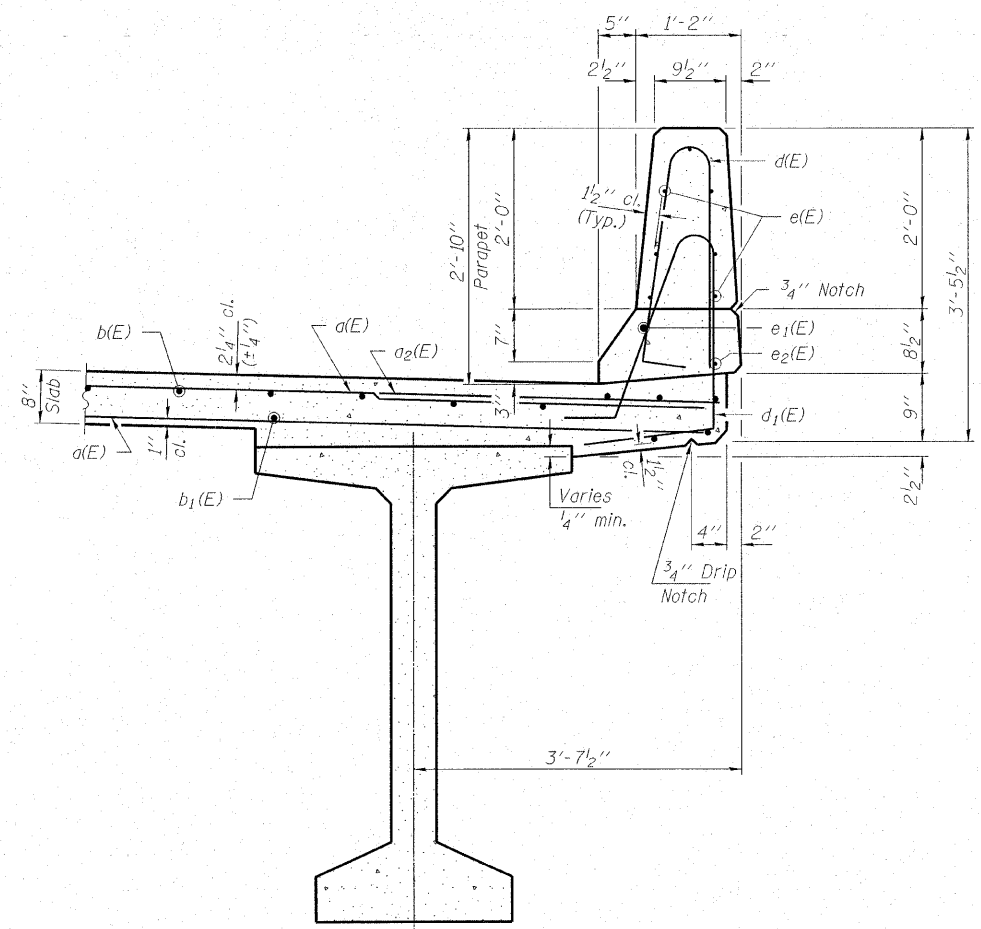
INSIDE ELEVATION OF WEST PARAPET

MIN. BAR LAPS

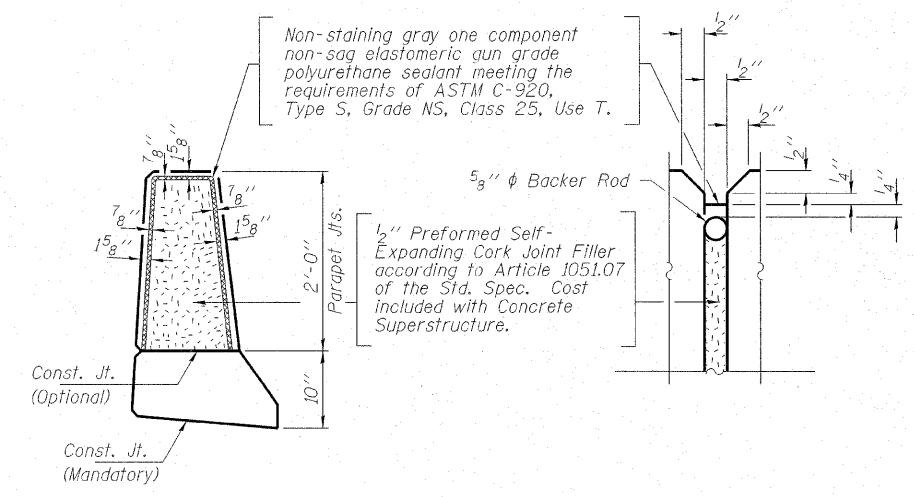
- #4 bars = 1'-4"
- #8 bars = 3'-5"

SUPERSTRUCTURE  
BILL OF MATERIAL

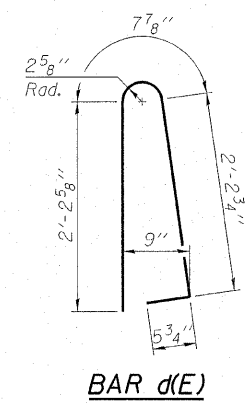
Bar	No.	Size	Length	Shape
a(E)	256	#5	24'-9"	—
a1(E)	256	#5	26'-2"	—
a2(E)	65	#6	6'-0"	—
b(E)	248	#5	27'-8"	—
b1(E)	195	#5	22'-6"	—
c(E)	107	#5	2'-5"	┌
c1(E)	107	#5	5'-7"	—
d(E)	116	#5	5'-7"	┌
d1(E)	116	#5	7'-2"	┌
d2(E)	107	#4	4'-3"	┌
d3(E)	107	#6	3'-9"	┌
d4(E)	24	#4	2'-0"	┌
e(E)	78	#4	17'-5"	—
e1(E)	3	#8	37'-6"	—
e2(E)	4	#4	27'-6"	—
m(E)	14	#6	24'-11"	—
m1(E)	14	#6	26'-4"	—
m2(E)	36	#6	8'-4"	—
m3(E)	12	#6	7'-8"	—
m4(E)	14	#6	3'-11"	—
m5(E)	4	#6	2'-5"	—
s(E)	96	#5	6'-7"	┌
s1(E)	50	#4	14'-8"	┌
v(E)	92	#5	3'-7"	┌
Reinforcement Bars, Epoxy Coated	Pound		33,830	
Concrete Superstructure	Cu. Yds.		243.0	



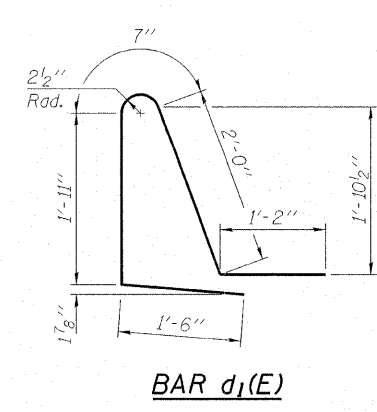
SECTION THRU WEST PARAPET  
(Looking South)



WEST PARAPET JOINT DETAILS



BAR d(E)



BAR d1(E)

**HAMPTON, LENZINI & RENWICK, INC.**  
CIVIL & STRUCTURAL ENGINEERS  
LAND SURVEYORS

3085 STEVENSON DRIVE, SUITE 201  
SPRINGFIELD, ILLINOIS 62703  
(217) 546-3400

**HLR**

ELGIN • SPRINGFIELD

PROJECT NUMBER: 12-06-0029-1      DATE: 01/14/08  
DESIGNED: P.S.L.      CHECKED: M.D.C.      DRAWN: D.A.B.

**SUPERSTRUCTURE DETAILS**

**IL 25 OVER WAUBONSEE CREEK**  
**F.A.U. ROUTE 2503 / SECTION (35) BR-2**  
**KENDALL COUNTY**  
**STATION 12+91.00**  
**STRUCTURE NO. 047-0062**