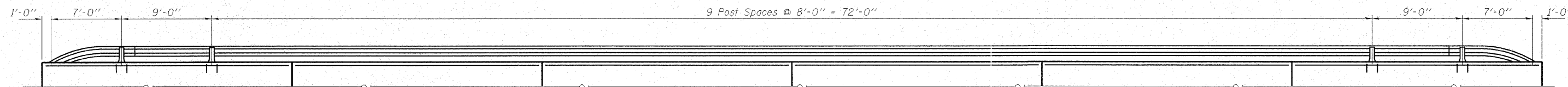


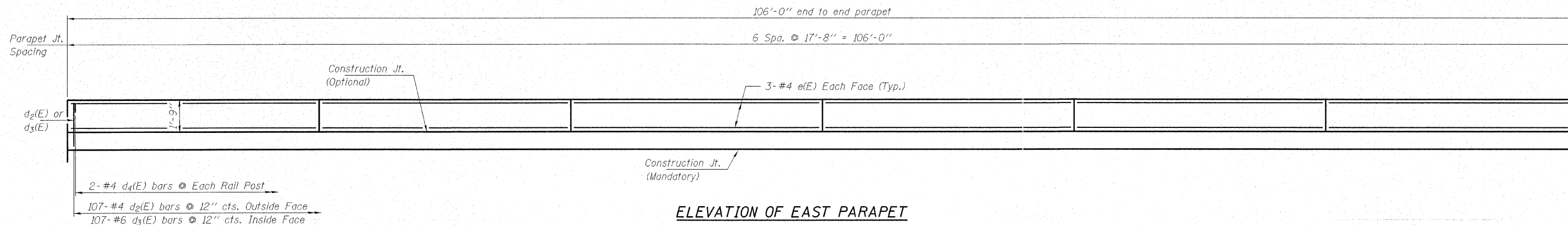
STATE OF ILLINOIS  
DEPARTMENT OF TRANSPORTATION

ROUTE NO.	SECTION	COUNTY	TOTAL SHEETS	SHEET NO.	SHEET NO. 15 25 SHEETS
FAU 2503	(35) BR-2	KENDALL	129	39	
FED. ROAD DIST. NO. 7		ILLINOIS	FED. AID PROJECT		

Contract No. 66399

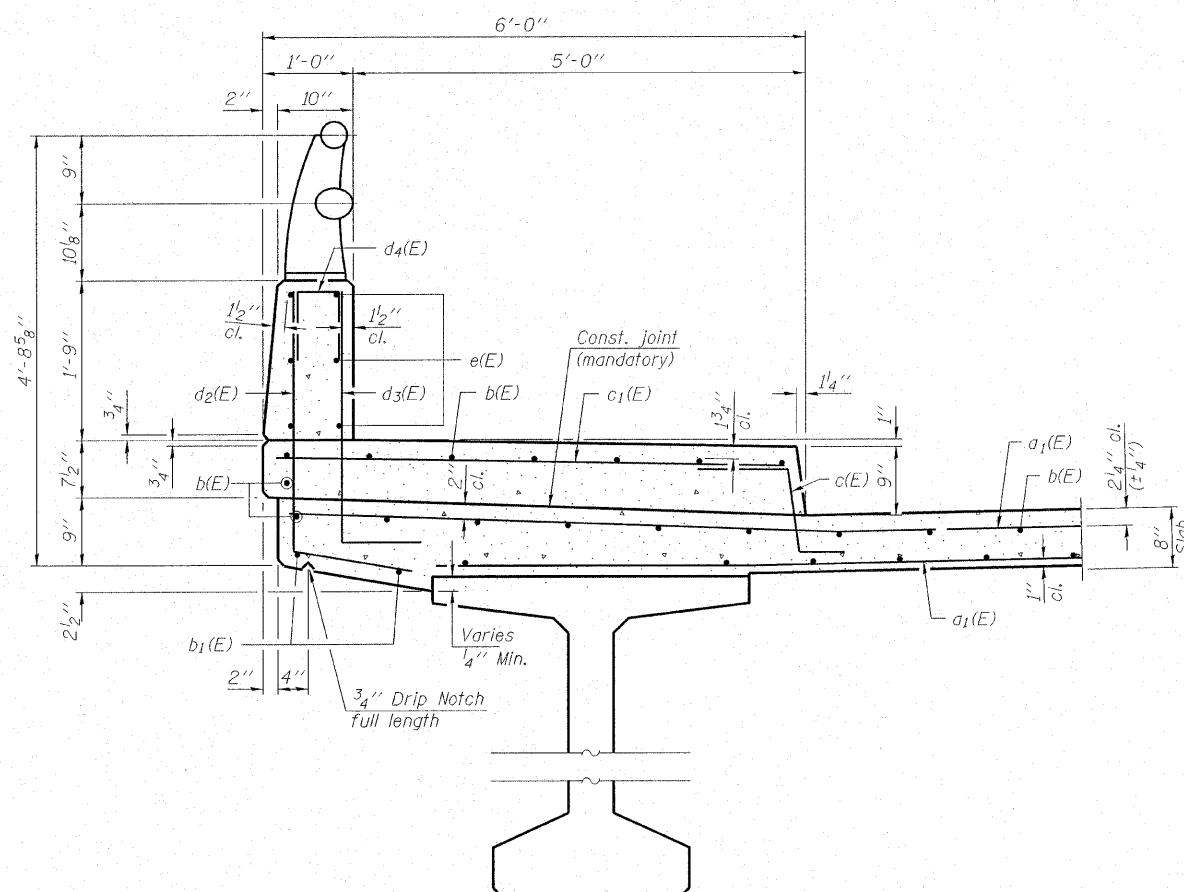


**ELEVATION OF RAILING**

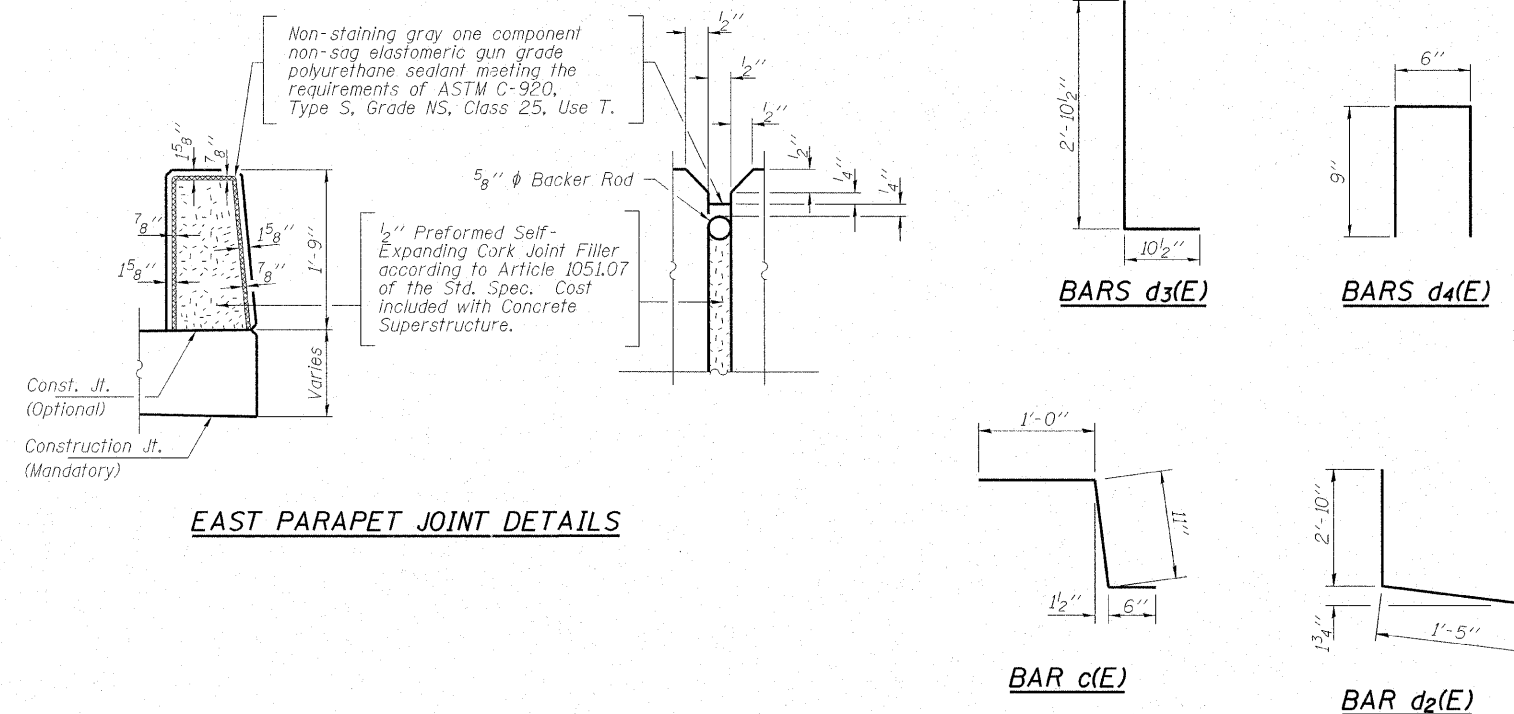


**ELEVATION OF EAST PARAPET**

**MIN. BAR LAPS**  
#5 bars = 1'-8"



**SECTION THRU SIDEWALK**



**EAST PARAPET JOINT DETAILS**

**HAMPTON, LENZINI & RENWICK, INC.**  
CIVIL & STRUCTURAL ENGINEERS  
LAND SURVEYORS

3085 STEVENSON DRIVE, SUITE 201  
SPRINGFIELD, ILLINOIS 62703  
(217) 646-3400

**ELGIN • SPRINGFIELD**

PROJECT NUMBER: 12-06-0029-1    DATE: 01/14/08  
DESIGNED: P.S.L.    CHECKED: M.D.C.    DRAWN: D.A.B.

**SUPERSTRUCTURE DETAILS**

IL 25 OVER WAUBONSEE CREEK  
F.A.U. ROUTE 2503 / SECTION (35) BR-2  
KENDALL COUNTY  
STATION 12+91.00  
STRUCTURE NO. 047-0062