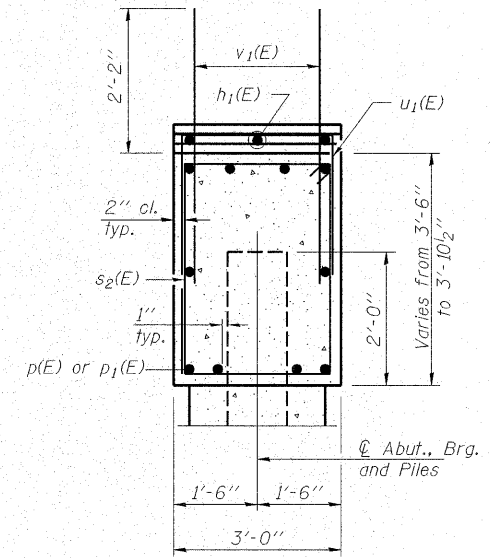
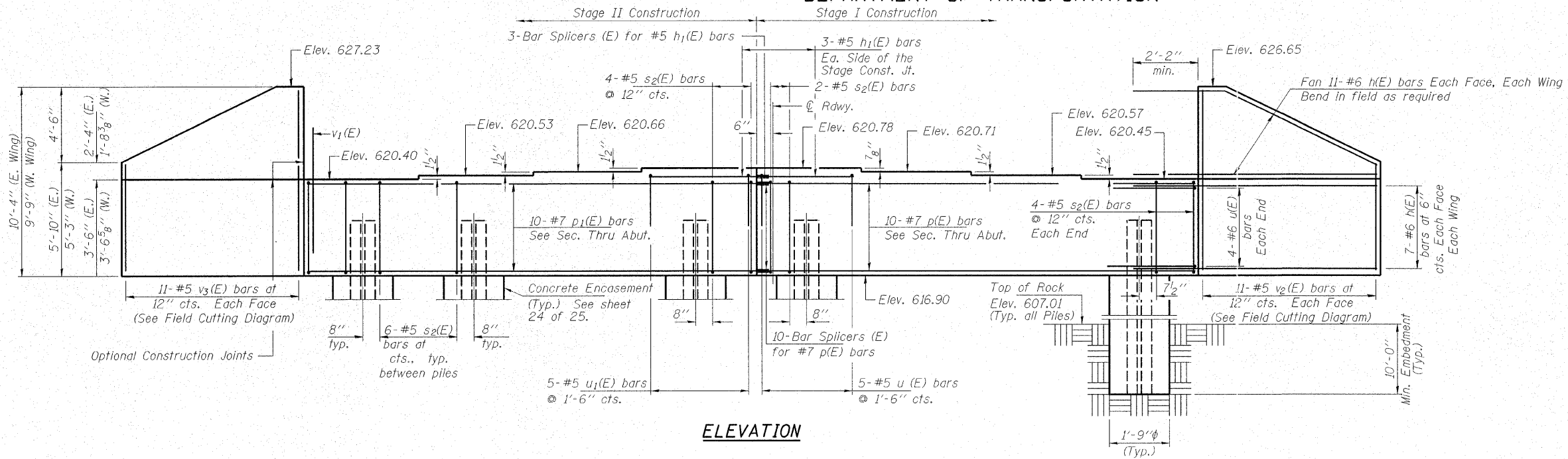


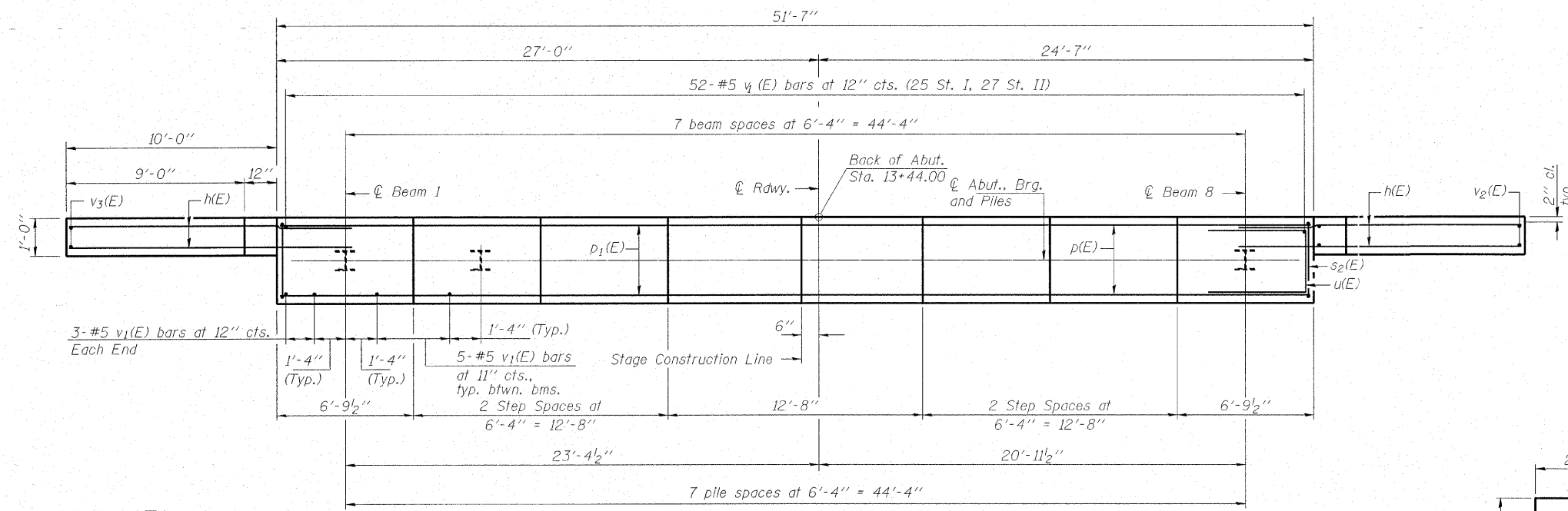
Notes: Four steps monolithically with cap.

STATE OF ILLINOIS  
 DEPARTMENT OF TRANSPORTATION



ELEVATION

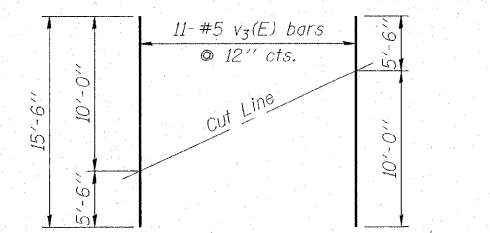
SEC. THRU ABUT.



PLAN

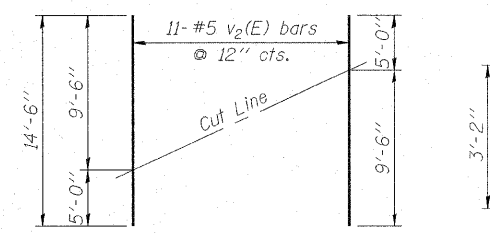
PILE DATA

Type: Steel HP12x63 (Set in Rock)  
 Est. Length: 22 Ft.  
 No. Production Piles: 8  
 Allowable Resistance Available: 165 k



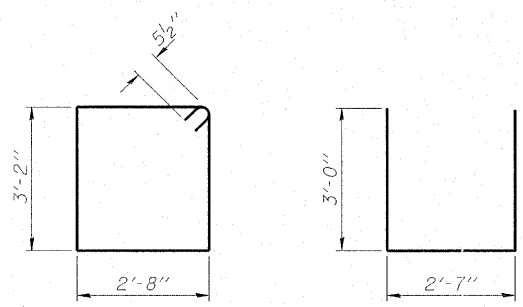
FIELD CUTTING DIAGRAM (E. WING)

Order  $v_3$ (E) full length. Cut as shown and use remainder of bars in opposite face.



FIELD CUTTING DIAGRAM (W. WING)

Order  $v_2$ (E) full length. Cut as shown and use remainder of bars in opposite face.



BAR  $s_2$ (E)

BAR  $u_1$ (E)

BAR  $u$ (E)

BILL OF MATERIAL

Bar	No.	Size	Length	Shape
$h$ (E)	72	#6	12'-4"	—
$h_1$ (E)	6	#5	6'-0"	—
$p$ (E)	10	#7	24'-10"	—
$p_1$ (E)	10	#7	26'-3"	—
$s_2$ (E)	50	#5	12'-7"	□
$u$ (E)	8	#6	8'-7"	U
$u_1$ (E)	10	#5	6'-0"	U
$v_1$ (E)	93	#5	4'-4"	—
$v_2$ (E)	11	#5	14'-6"	—
$v_3$ (E)	11	#5	15'-6"	—
Structure Excavation		Cu. Yd.	260.0	
Concrete Structures		Cu. Yd.	29.0	
Reinforcement Bars, Epoxy Coated		Pound	4,000	
Furnishing Steel Piles HP12x63		Foot	176	
Concrete Encasement		Cu. Yd.	2.8	
Setting Piles in Rock		Each	8	

For details of Bar Splicers, see sheet 23 of 25.  
 For details of piles and Concrete Encasement, see sheet 24 of 25.

**HAMPTON, LENZINI & RENWICK, INC.**  
 CIVIL & STRUCTURAL ENGINEERS  
 LAND SURVEYORS  
 3085 STEVENSON DRIVE, SUITE 201  
 SPRINGFIELD, ILLINOIS 62703  
 (217) 546-3400  
**ELGIN • SPRINGFIELD**  
 PROJECT NUMBER: 12-06-0029-1 DATE: 01/14/08  
 DESIGNED: P.S.L. CHECKED: M.D.C. DRAWN: D.A.B.

**SOUTH ABUTMENT**  
 IL 25 OVER WAUBONSEE CREEK  
 F.A.U. ROUTE 2503 / SECTION (35) BR-2  
 KENDALL COUNTY  
 STATION 12+91.00  
 STRUCTURE NO. 047-0062