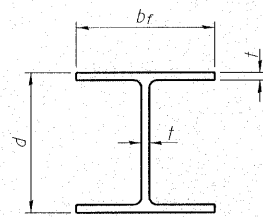


STATE OF ILLINOIS
DEPARTMENT OF TRANSPORTATION

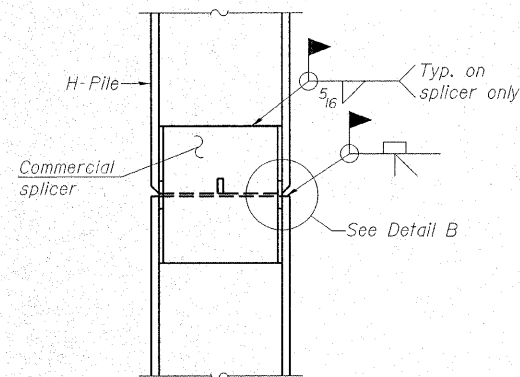
ROUTE NO.	SECTION	COUNTY	SHEETS	SHEET NO.
FAU 2503	(35) BR-2	KENDALL	129	48
FED. ROAD DIST. NO. 7	ILLINOIS	FED. AID PROJECT		

Contract No. 66399

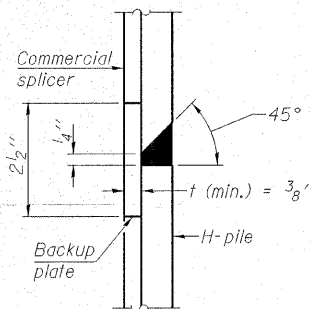


STEEL PILE TABLE

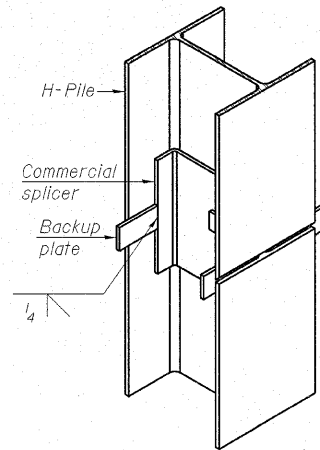
Designation	Depth d	Flange width bf	Web and Flange thickness t	Encasement diameter A
HP 14x117	14 1/4"	14 7/8"	13/16"	30"
x102	14"	14 3/4"	1/16"	30"
x89	13 7/8"	14 3/4"	5/8"	30"
x73	13 5/8"	14 5/8"	1/2"	30"
HP 12x84	12 1/4"	12 1/4"	1/16"	24"
x74	12 1/8"	12 1/4"	5/8"	24"
x63	12"	12 1/8"	1/2"	24"
x53	11 3/4"	12"	7/16"	24"
HP 10x57	10"	10 1/4"	9/16"	24"
x42	9 3/4"	10 1/8"	7/16"	24"
HP 8x36	8"	8 1/8"	7/16"	18"



ELEVATION

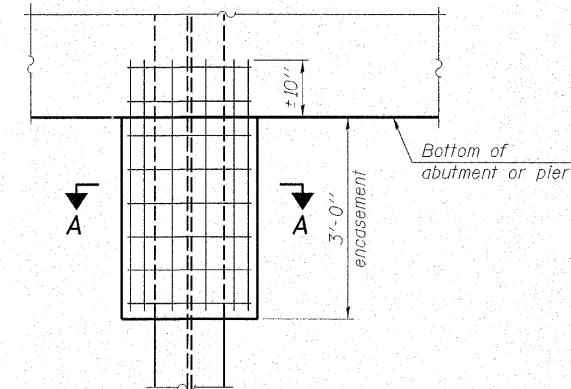


DETAIL "B"



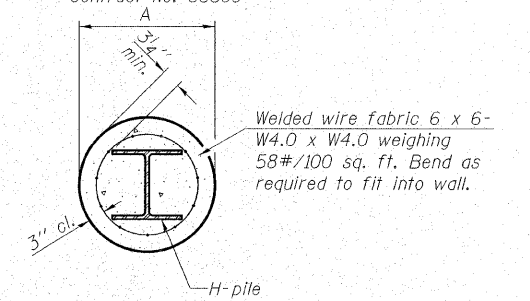
ISOMETRIC VIEW

WELDED COMMERCIAL SPLICE



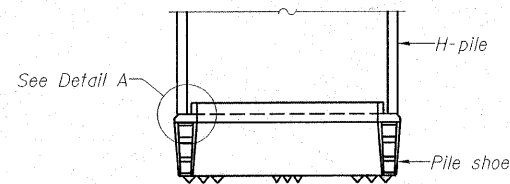
ELEVATION

PILE ENCASEMENT

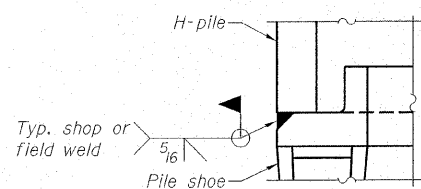


SECTION A-A

Note:
Forms for encasement may be omitted when soil conditions permit.

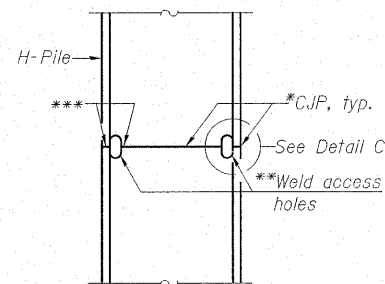


ELEVATION

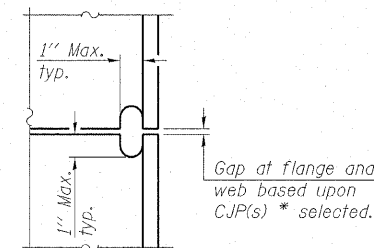


DETAIL A

H-PILE SHOE ATTACHMENT

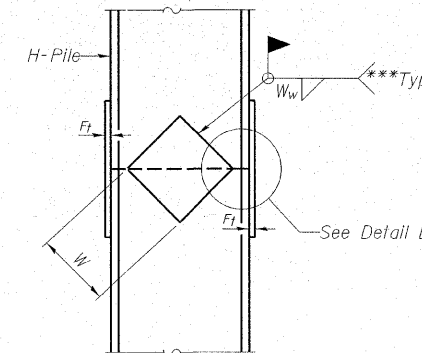


ELEVATION

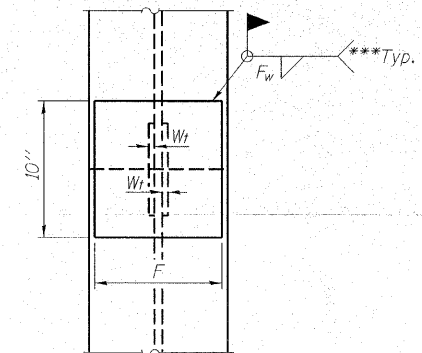


DETAIL C

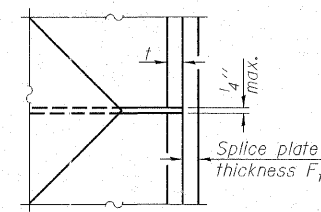
COMPLETE PENETRATION WELD SPLICE



ELEVATION



END VIEW



DETAIL D

WELDED PLATE FIELD SPLICE

Note:
The steel H-piles shall be according to AASHTO M270 Grade 50.

Designation	F	Ft	Fw	W	Wt	Ww
HP 14x117	12 1/2"	1"	7/8"	7 3/4"	5/8"	1/2"
x102	12 1/2"	7/8"	3/4"	7 3/4"	5/8"	1/2"
x89	12 1/2"	3/4"	1/16"	7 3/4"	5/8"	1/2"
x73	12 1/2"	5/8"	9/16"	7 3/4"	5/8"	1/2"
HP 12x84	10"	7/8"	1/16"	6 1/2"	5/8"	1/2"
x74	10"	7/8"	1/16"	6 1/2"	5/8"	1/2"
x63	10"	5/8"	1/2"	6 1/2"	1/2"	3/8"
x53	10"	5/8"	1/2"	6 1/2"	1/2"	3/8"
HP 10x57	8"	3/4"	9/16"	5 1/4"	1/2"	3/8"
x42	8"	5/8"	9/16"	5 1/4"	1/2"	3/8"
HP 8x36	7"	5/8"	7/16"	4 1/4"	1/2"	3/8"

*Use joint conforming to Figure 3.4 in AWS D1.1, Structure Welding Code - Steel.

**Preparation per Fig. 5.2 in AWS D1.1, Structure Welding Code - Steel.

***Interrupt welds 1/4" from end of each pile.

F-HP

9-3-07

HAMPTON, LENZINI & RENWICK, INC.
CIVIL & STRUCTURAL ENGINEERS
LAND SURVEYORS

HLR

3085 STEVENSON DRIVE, SUITE 201
SPRINGFIELD, ILLINOIS 62703
(217) 546-3400

ELGIN • SPRINGFIELD

PROJECT NUMBER: 12-06-0029-1 DATE: 01/14/08
DESIGNED: P.S.L. CHECKED: M.D.C. DRAWN: D.A.B.

STEEL H PILES
IL 25 OVER WAUBONSEE CREEK
F.A.U. ROUTE 2503 / SECTION (35) BR-2
KENDALL COUNTY
STATION 12+91.00
STRUCTURE NO. 047-0062