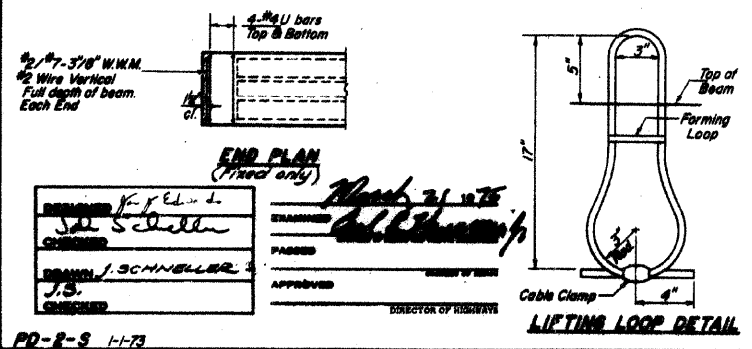
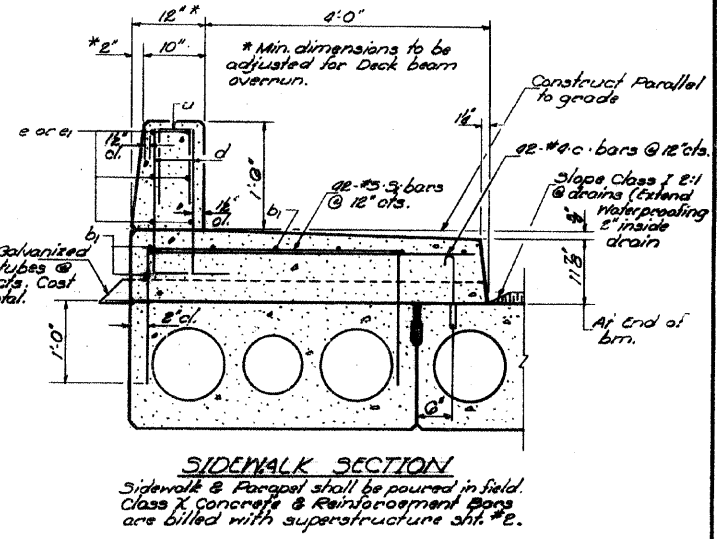
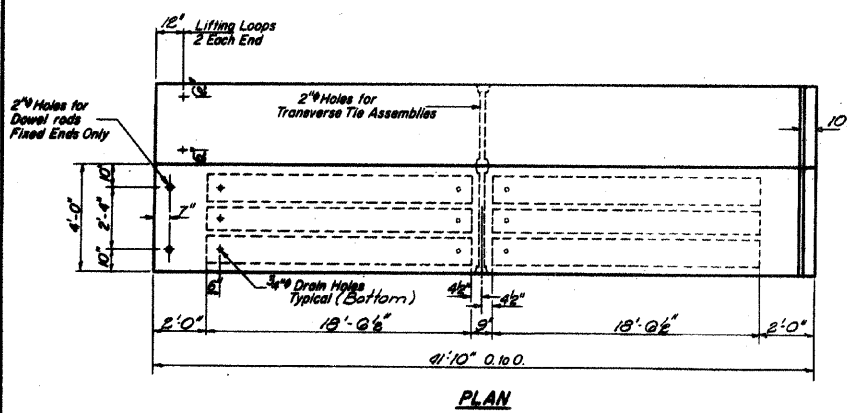
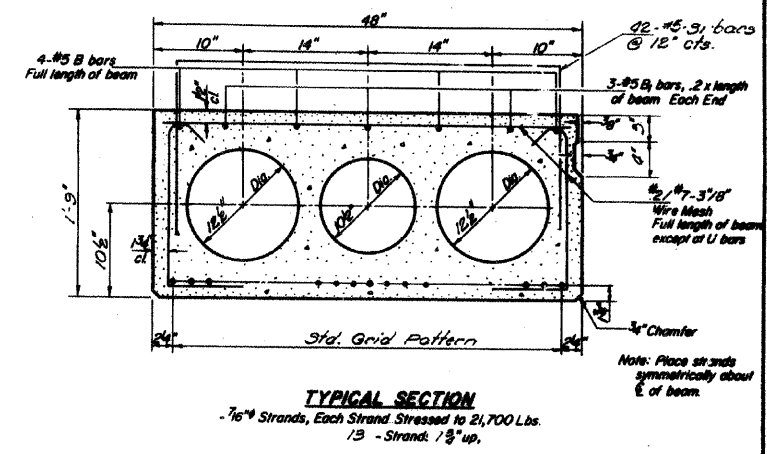
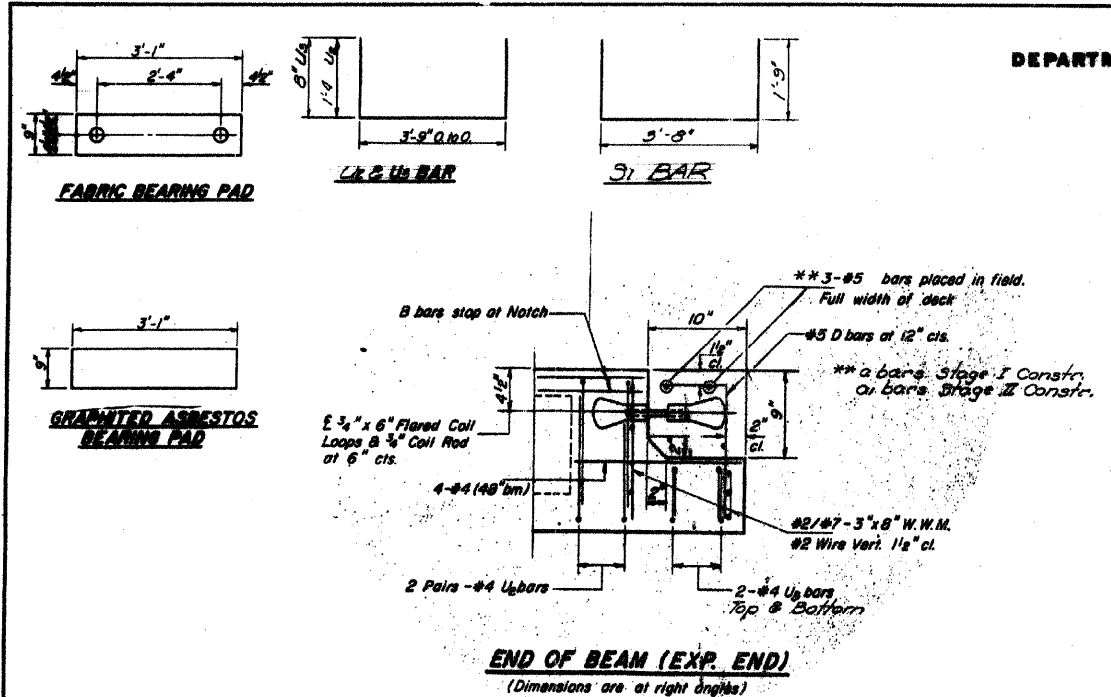


ROUTE NO.	SECTION	COUNTY	SHEET NO.	TOTAL SHEETS
FAU 2503	(35)BR-2	KENDALL	129	52
FED. ROAD DIST. NO. 5			FED. AID PROJECT	

STATE OF ILLINOIS
DEPARTMENT OF TRANSPORTATION

Note: Omit key on exterior face of beam.

DATE	BY	REVISION
10/10/07	J.S.	REVISED PER PROJECT
04/01/07	J.S.	REVISED PER PROJECT



NOTES
 Prestressing steel shall be non-galvanized high strength, stress-relieved 7-wire strand, Grade 270. The nominal diameter shall be 7/16" and the nominal cross-sectional area shall be 0.85 sq. in. Lifting loops shall be 6" diameter, 6.210 stress wire rope with fiber core and shall have a minimum ultimate tensile strength of 33,000 lbs. The 7-wire rods in the transverse tie assembly shall be tightened to a snug fit and the threads set. Pockets that receive transverse tie bar on outside shall be filled with grout after transverse tie assembly is in place. Longitudinal shear keys shall be packed with a very dry mix of 2:1 sand and P.C. mortar. After beams have been erected, holes for the dowel anchors shall be drilled into the sub-structure and the anchor dowels shall be grouted in place. Dowel rods shall be A4317D A4327 or 4" x 3/4". Transverse tie rods shall be A4317D A4327 Grade 70-60. After fabrication the transverse tie assembly (tie rods, nuts, washers and sleeves) shall be hot-dipped galvanized in accordance with A4317D 14-2.2.2. Cost of reinforcement and accessories cast into the beam or bearing pads, at corner angles, and of grouting longitudinal shear keys is included in unit price bid for Precast Prestressed Concrete Deck Beams. For Cross Section, Bar details, Transverse Tie Assembly and Bill of Material see sheet #2.

SUPERSTRUCTURE
 F.A.S. REINFORCING
 KENDALL COUNTY
 316-12702

DESIGNED: J.P. L...
 CHECKED: J.S.
 APPROVED: J.S.
 DIRECTOR OF HIGHWAYS

HAMPTON, LENZINI & RENWICK, INC.
 CIVIL & STRUCTURAL ENGINEERS
 3085 STEVENSON DRIVE, SUITE 201
 SPRINGFIELD, ILLINOIS 62703
 (217) 546-3400
 ELGIN • SPRINGFIELD
 PROJECT NUMBER: 12-06-0029-1 DATE: 12/13/07
 DESIGNED: CHECKED: DRAWN:

EXISTING BRIDGE PLANS
 SECTION (35) BR-2
 IL 25 OVER WAUBONSEE CREEK
 KENDALL COUNTY

PROJECT LOCATION: ILLINOIS ROUTE 2503 OVER WAUBONSEE CREEK, KENDALL COUNTY, ILLINOIS
 DATE: 11/24/2008 8:34:53 AM