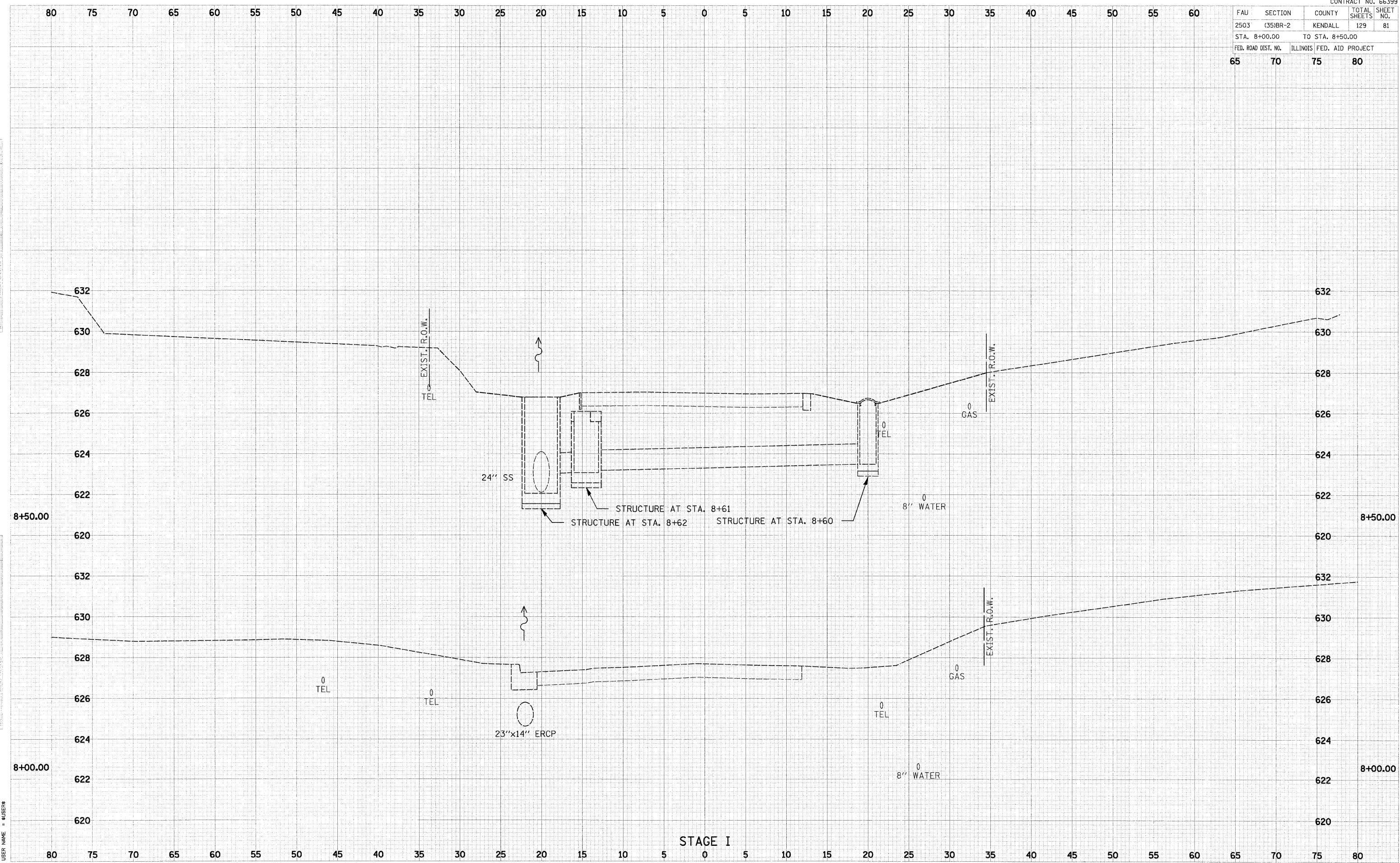


FAU	SECTION	COUNTY	TOTAL SHEETS	SHEET NO.
2503	351BR-2	KENDALL	129	81
STA. 8+00.00		TO STA. 8+50.00		
FED. ROAD DIST. NO.	ILLINOIS	FED. AID PROJECT		
65	70	75	80	

DATE	
BY	
CHKD BY	
APP'D BY	
SCALE	
AREA	
UNITS	

DATE	
BY	
CHKD BY	
APP'D BY	
SCALE	
AREA	
UNITS	

PLOT DATE = 1/31/2008
 FILE NAME = P:\12\12060023\Road\Phase II\8025-sht-xs-stage1.dgn
 PLOT SCALE = 5.00000 / 1 IN.
 USER NAME = \$USER\$



STAGE I