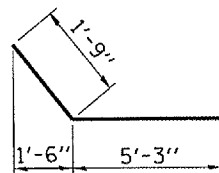
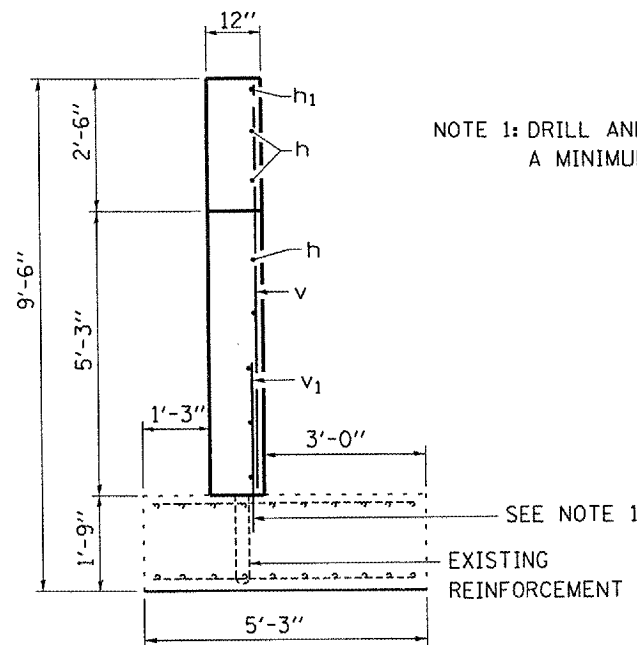


WING ELEVATION

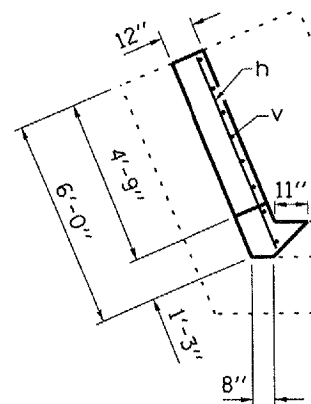


BARS h₁



END SECTION

NOTE 1: DRILL AND EPOXY GROUT v₁ BARS A MINIMUM OF 9" INTO EXISTING FOOTING IN ACCORDANCE WITH ARTICLE 584 OF THE STANDARD SPECS.



SEE NOTE 1

BILL OF MATERIAL

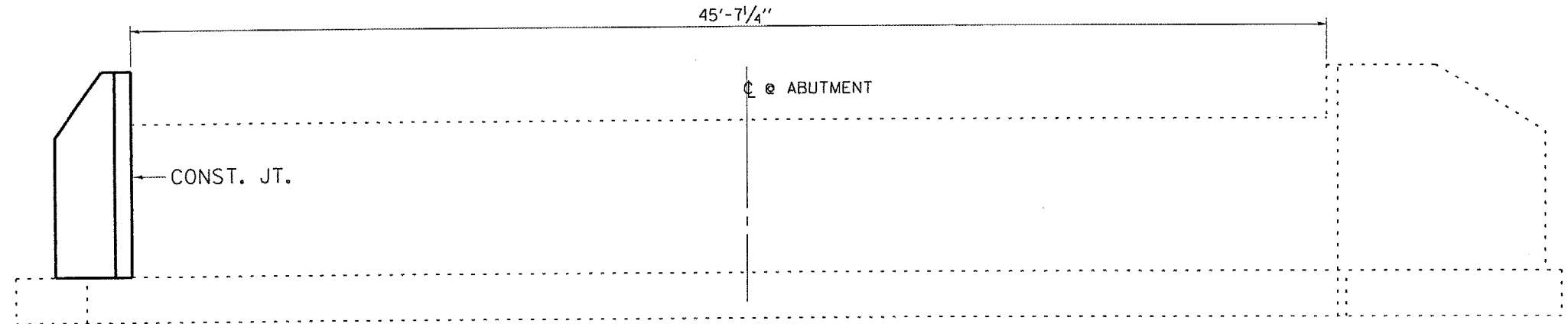
Bar	No.	Size	Length	Shape
h (E)	8	#5(E)	5'-10"	
h ₁ (E)	1	#5(E)	7'-0"	
v (E)	8	#5(E)	7'-6"	
v ₁ (E)	8	#6(E)	3'-3"	
Concrete Box Culverts			Cu. Yd.	2.4
Reinforcement Bars			Pound	160
Epoxy Coated				

GENERAL NOTES

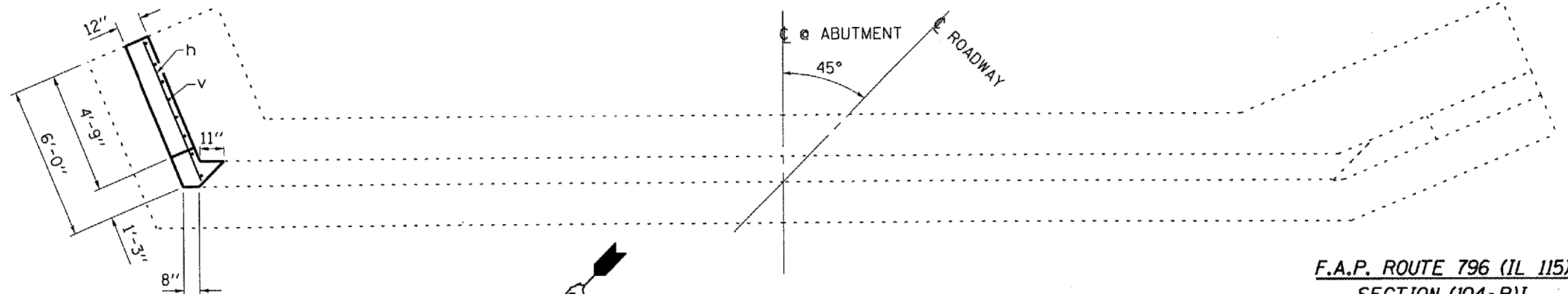
PLAN DIMENSIONS AND DETAILS RELATIVE TO EXISTING PLANS ARE SUBJECT TO ROUTINE VARIATIONS. THE CONTRACTOR SHALL FIELD VERIFY EXISTING DIMENSIONS AND DETAILS AFFECTING NEW CONSTRUCTION AND MAKE NECESSARY APPROVED ADJUSTMENTS PRIOR TO CONSTRUCTION OR ORDERING OF MATERIALS. SUCH VARIATIONS SHALL NOT BE CAUSE FOR ADDITIONAL COMPENSATION FOR A CHANGE IN THE SCOPE OF THE WORK. HOWEVER, THE CONTRACTOR WILL BE PAID FOR THE QUANTITY FURNISHED BASED UPON THE UNIT BID PRICE FOR THE WORK.

REINFORCEMENT BARS SHALL CONFORM TO THE REQUIREMENTS OF ASTM A 706 GR 60 (IL MODIFIED). SEE SPECIAL PROVISIONS.

REINFORCEMENT BARS DESIGNATED (E) SHALL BE EPOXY COATED.



ELEVATION



PLAN

F.A.P. ROUTE 796 (IL 115)
SECTION (104-B)I
KANKAKEE COUNTY
STA. 986+00
S.N. 046-0066