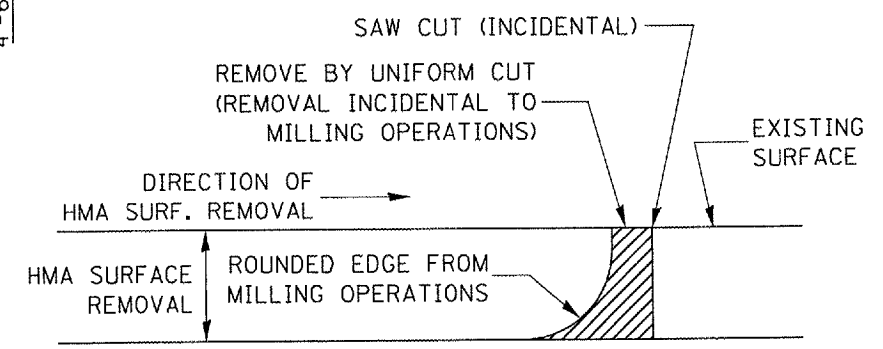


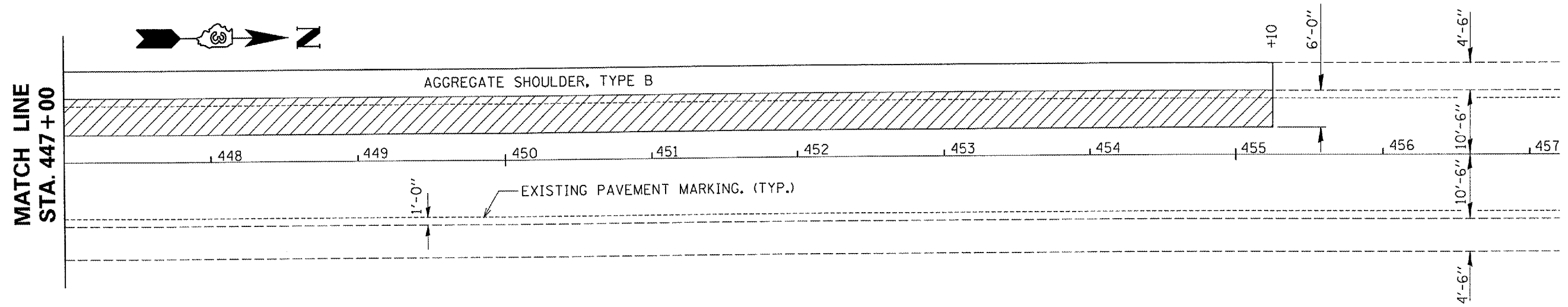
PLAN



NOTE:
 WHEN MILLING OPERATIONS PRODUCE A ROUNDED EDGE, THEN A SAW CUT SHALL BE USED TO MANUFACTURE A PERPENDICULAR EDGE AS SHOWN IN THE DETAIL. THE ENGINEER SHALL BE THE SOLE JUDGE CONCERNING THE USE OF THIS DETAIL

HMA DETAIL AT BUTT JOINTS

HOT-MIX ASPHALT SURFACE REMOVAL 2"
 HOT-MIX ASPHALT SURFACE CSE. MIX "C", N50



PLAN

FILE NAME = c:\projects\mohd07\134(dover)\r134.dgn	USER NAME = veninger jr	DESIGNED - RON WOODSHANK	REVISED -	STATE OF ILLINOIS DEPARTMENT OF TRANSPORTATION	PLAN VIEW	F.A.S. RTE. 1249	SECTION 23RS-6	COUNTY BUREAU	TOTAL SHEETS 6	SHEET NO. 5
	PLOT SCALE = 183.4629 / IN.	CHECKED -	REVISED -			SCALE: _____	SHEET NO. ___ OF ___ SHEETS	STA. 438+25 LT. TO STA. 455+10 LT.	CONTRACT NO. 66760	
PLOT DATE = Feb 11, 2008 - 11:00:24 AM	DATE -	REVISED -	REVISED -	FED. ROAD DIST. NO. - [ILLINOIS] STATE AID PROJECT						