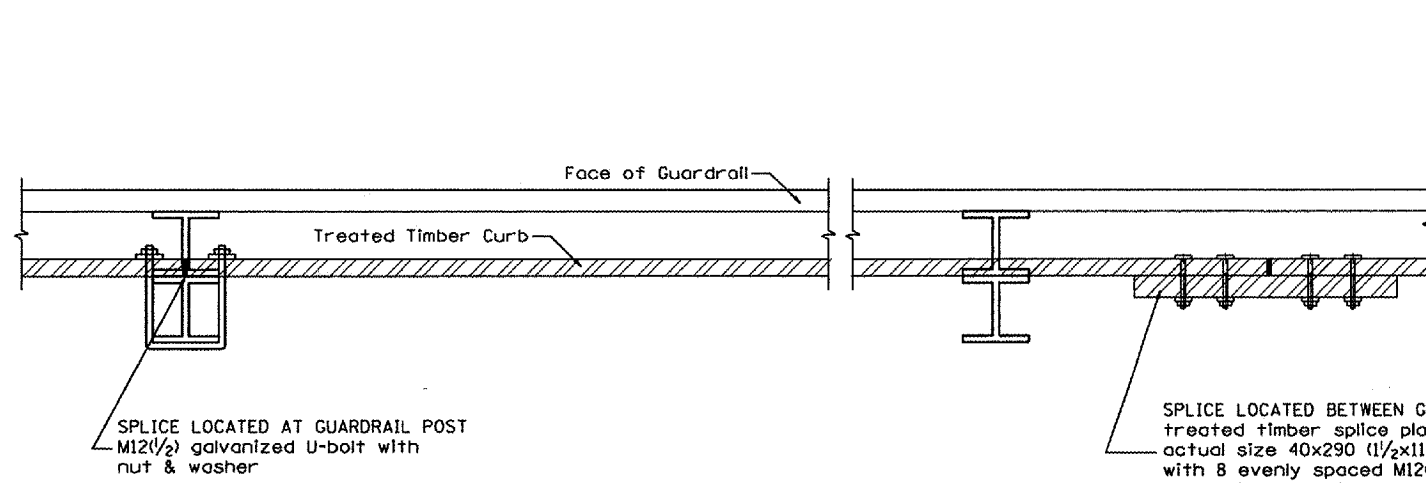
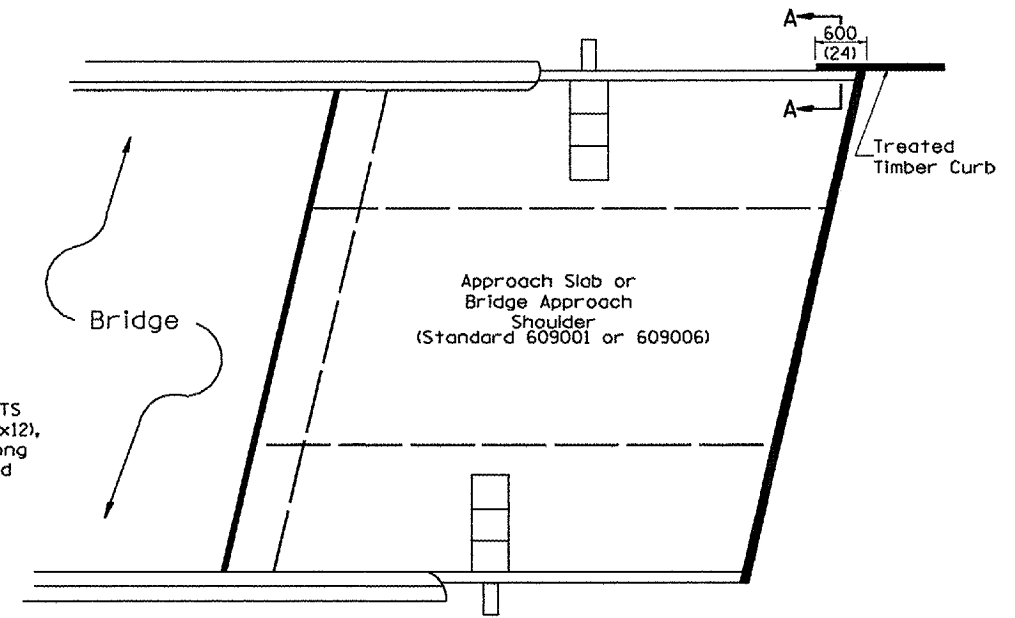


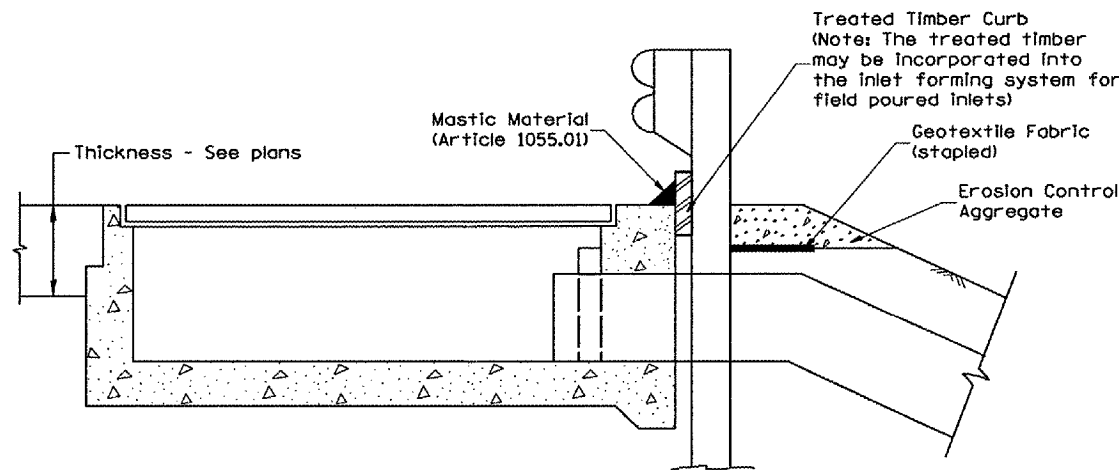
F.A.S. RTE.	SECTION	COUNTY	TOTAL SHEETS	SHEET NO.
2244	(107)B/R	STARK	39	31
STA.	TO STA.			
FED. ROAD DIST. NO.	ILLINOIS FED. AID PROJECT			



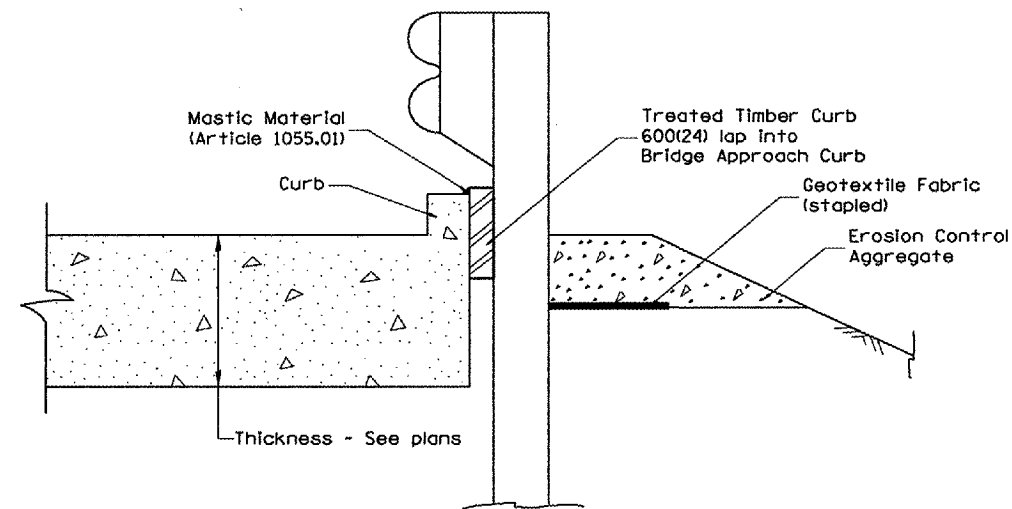
DETAIL A
(Typical Treated Timber Splices)
NOT APPLICABLE



PLAN VIEW
APPROACH SLAB OR BRIDGE APPROACH SHOULDER
(STANDARD 609001 or 609006)
NOT APPLICABLE



TYPICAL SECTION WITH EROSION CONTROL CURB
AT INLETS TYPE E & F (STANDARD 610001)
NOT APPLICABLE



SECTION A-A
TYPICAL SECTION WITH EROSION CONTROL CURB
AT BRIDGE APPROACH CURB
(STANDARD 609001 OR 609006)
NOT APPLICABLE

All dimensions are in millimeters (inches) unless otherwise noted.

ILLINOIS DEPARTMENT OF TRANSPORTATION	
DISTRICT CADD STANDARD	
GUARDRAIL EROSION CONTROL TREATMENTS	
CADD STD NO. 630101-D4(2)	SHEET 2 OF 2
SCALE: NOT DRAWN TO SCALE	DRAWN BY CADD
DATE 1/21/2008	CHECKED BY