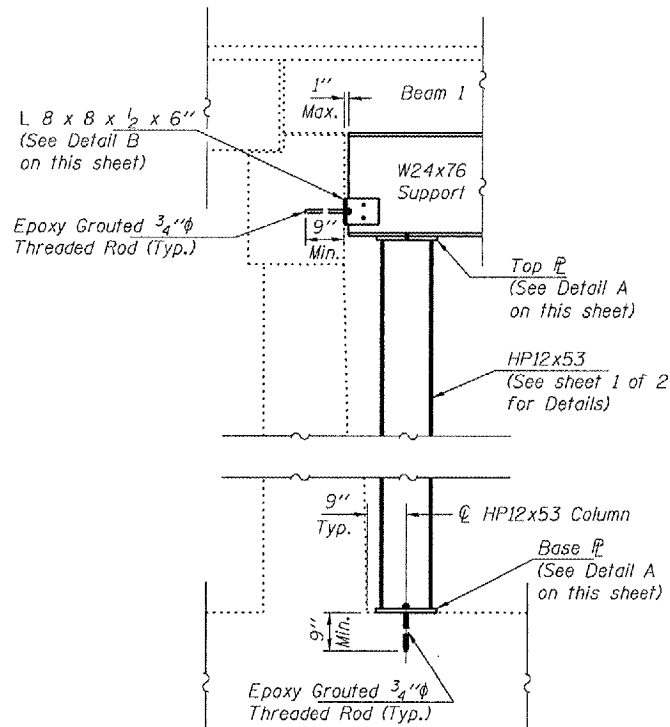


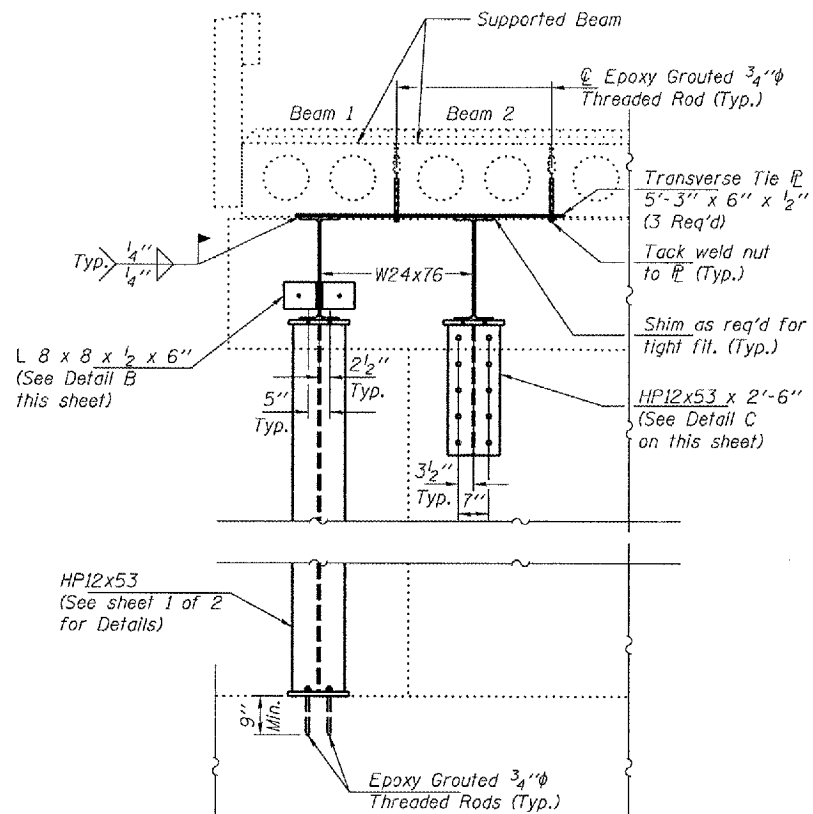
STATE OF ILLINOIS
DEPARTMENT OF TRANSPORTATION

ROUTE NO.	SECTION	COUNTY	TOTAL SHEETS	SHEET NO.	SHEET NO. 2 2 SHEETS
SBI 9		McDONOUGH	14	9	
FED. ROAD DIST. NO. 7		ILLINOIS	FED. AID PROJECT -		

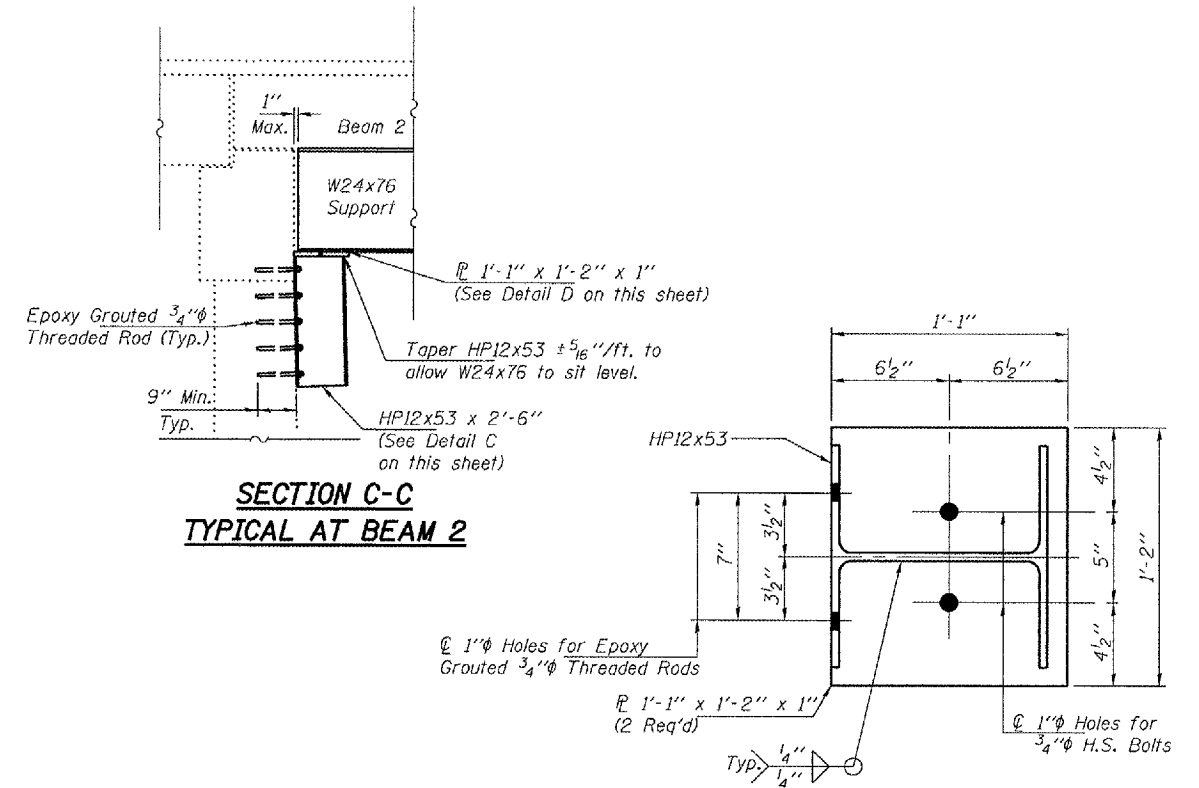
Contract Number: 68779



SECTION A-A
TYPICAL AT BEAM 1



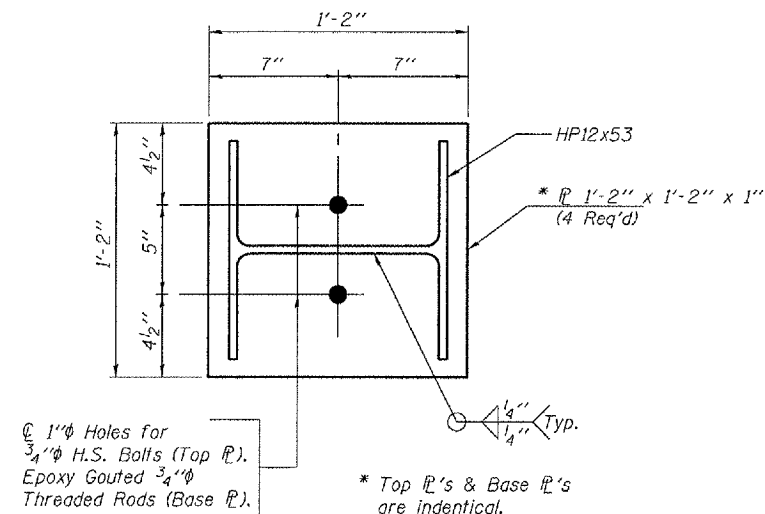
SECTION B-B



SECTION C-C
TYPICAL AT BEAM 2

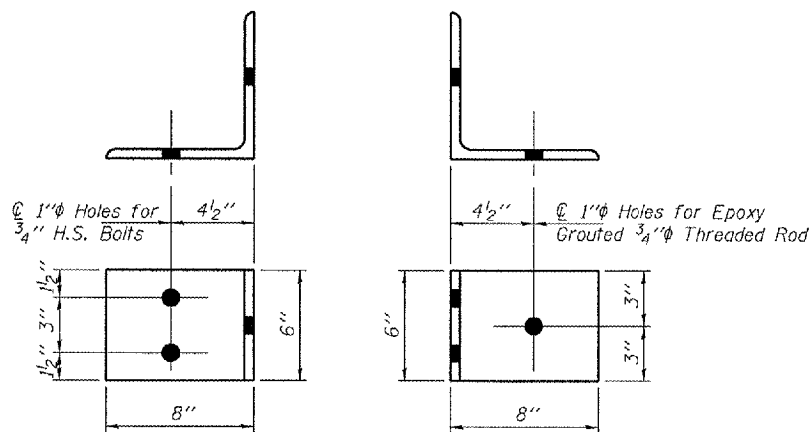
DETAIL D

1'-1" x 1'-2" x 1"
(2 Required)



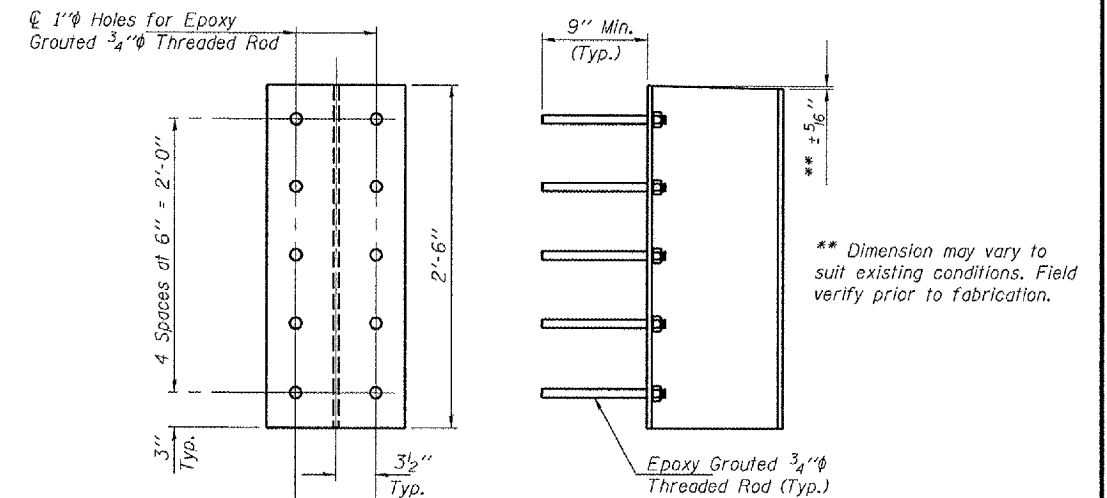
DETAIL A

1'-2" x 1'-2" x 1"
(4 Required)



DETAIL B

L 8 x 8 x 1/2 x 6"
(4 Required)



DETAIL C

HP12x53 x 2'-6"
(2 Required)

DESIGNED	ATH
CHECKED	VHV
DRAWN	Steffen
CHECKED	ATH VHV

FEBRUARY 26, 2008
EXAMINED *Carl Boyer*
ENGINEER OF STRUCTURAL SERVICES
PASSED *Ralph E. Anderson*
ENGINEER OF BRIDGES AND STRUCTURES

REPAIR DETAILS
SBI RT. 9
McDONOUGH COUNTY
SN 055-0019