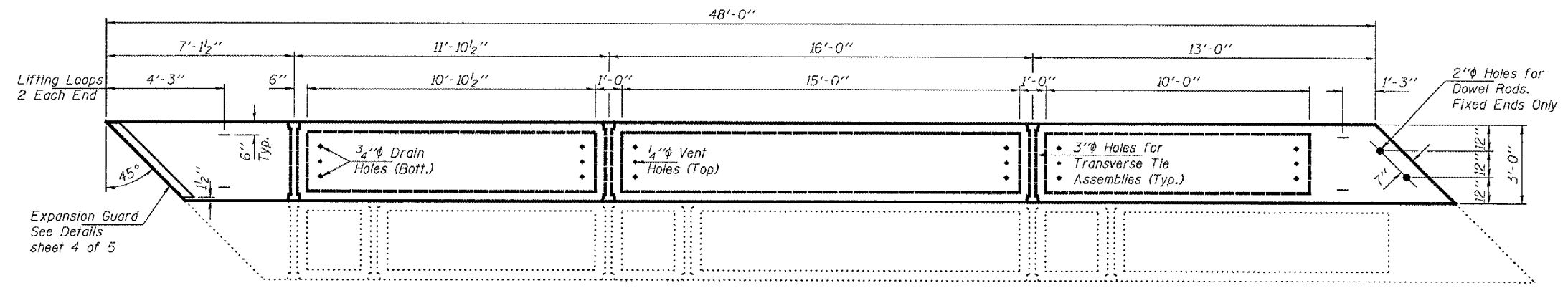


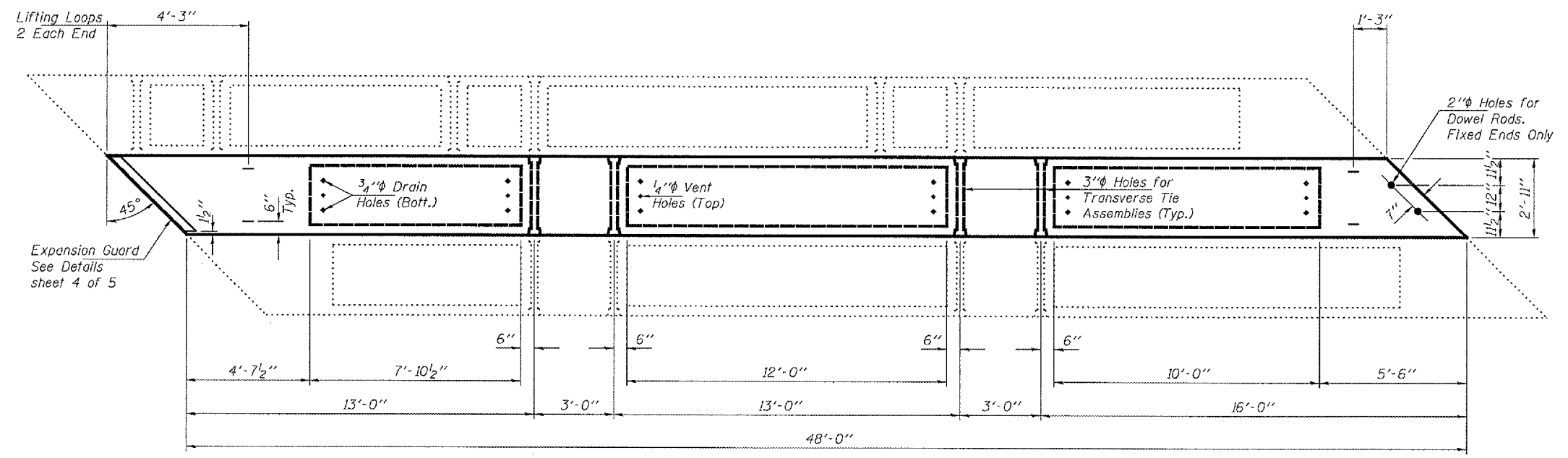
STATE OF ILLINOIS  
DEPARTMENT OF TRANSPORTATION

ROUTE NO.	SECTION	COUNTY	TOTAL SHEETS	SHEET NO.	SHEET NO.
FAP 310		MCDONOUGH	14	11	11
FED. ROAD DIST. NO. 7	ALLIANCE	FED. AID PROJECT			

Contract Number: 68779



**BEAM 1 PLAN**



**BEAM 14 PLAN**

DESIGNED	VHV
CHECKED	ATH
DRAWN	Steffen
CHECKED	VHV ATH

FEBRUARY 26, 2008

EXAMINED *A. Carl Hoover*  
ENGINEER OF STRUCTURAL SERVICES

PASSED *Ralph E. Anderson*  
ENGINEER OF BRIDGES AND STRUCTURES

**REPAIR DETAILS**  
**FAP RT. 310 OVER**  
**FARMERS CREEK**  
**MCDONOUGH COUNTY**  
**SN 055-0003**