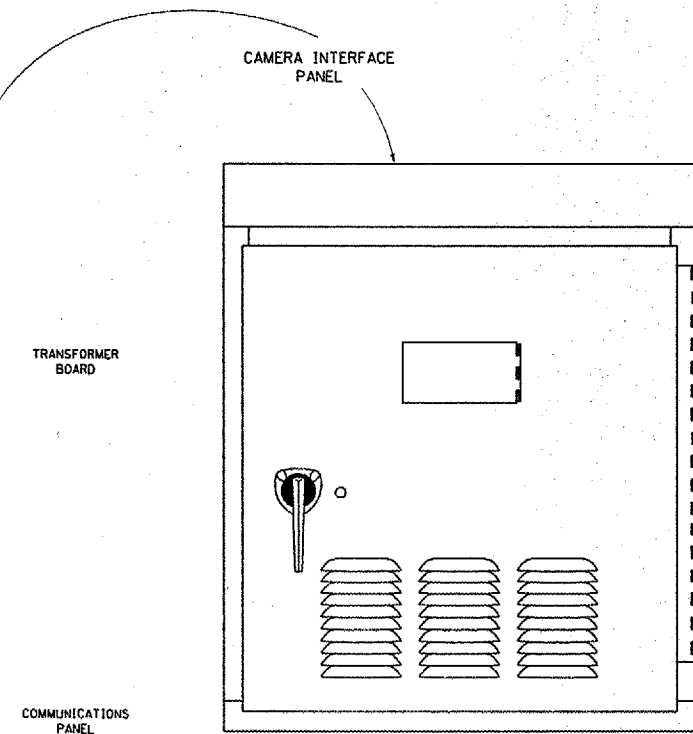
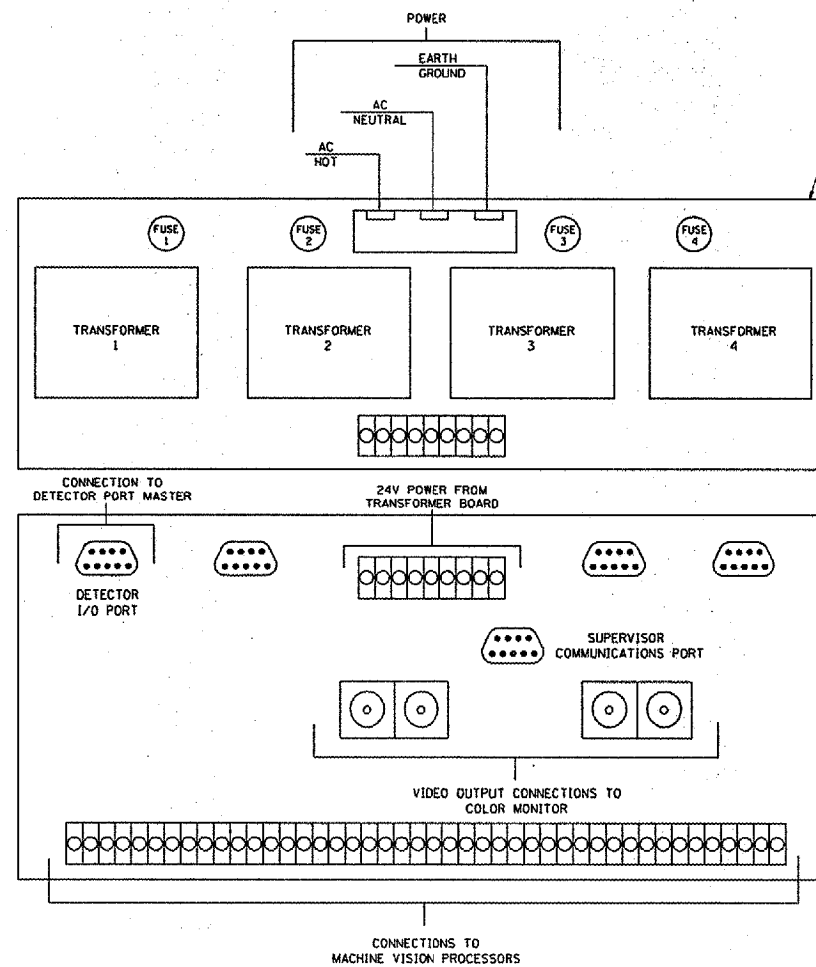
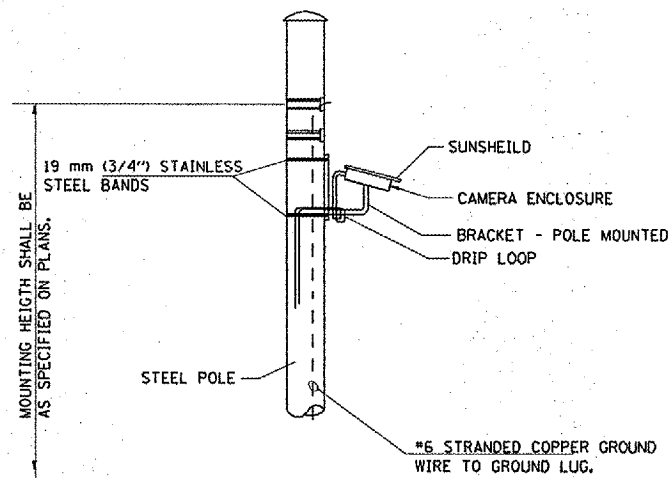


VIDEO DETECTION SYSTEM INSTALLATION  
ARM MOUNTED OR POLE MOUNTED CAMERA



FILE NAME =  
c:\projects\d603509\ts.sheets.dgn

USER NAME = laughlin  
PLOT SCALE = 40.0000 / / IN.  
PLOT DATE = Feb-20-2000 11:33:15AM

DESIGNED -  
DRAWN -  
CHECKED -  
DATE -

REVISED -  
REVISED -  
REVISED -  
REVISED -

STATE OF ILLINOIS  
DEPARTMENT OF TRANSPORTATION

TRAFFIC SIGNAL DETAILS

SCALE: SHEET NO. 5 OF 5 SHEETS STA. TO STA.

F.A.P. RTE. 663	SECTION 17N, TS, 1	COUNTY SANGAMON	TOTAL SHEETS 25	SHEET NO. 21
CONTRACT NO. 72B75				
FED. ROAD DIST. NO. ILLINOIS FED. AID PROJECT				