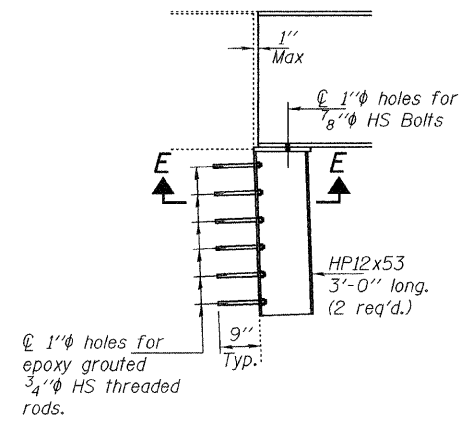
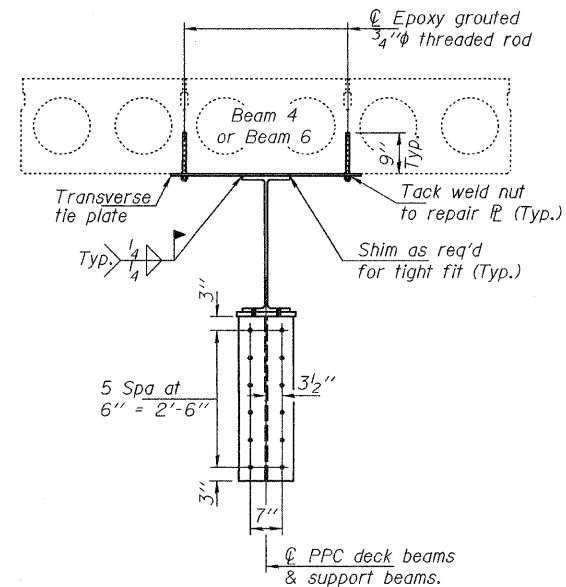


STATE OF ILLINOIS
DEPARTMENT OF TRANSPORTATION

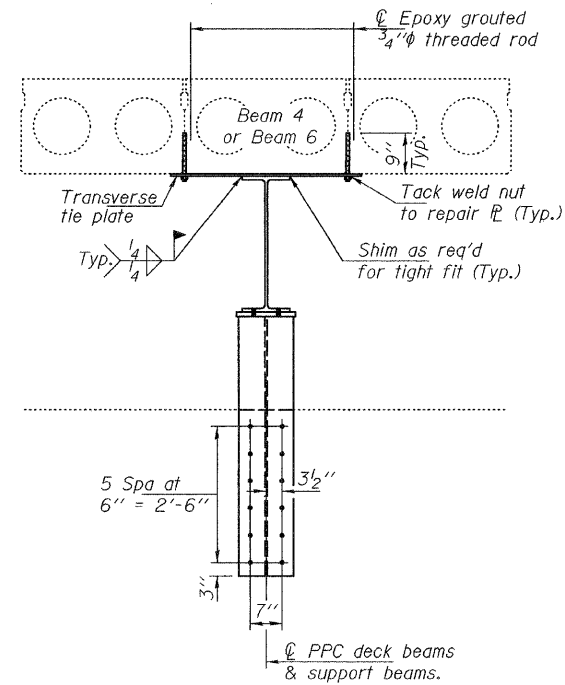
| | | | | | |
|-----------------------|----------|------------------|------------------------|-----------|-------------------------|
| ROUTE NO. | SECTION | COUNTY | TOTAL SHEETS | SHEET NO. | SHEET NO. 2 2 SHEETS |
| FAP 828 | | CUMBERLAND | 6 | 6 | |
| FED. ROAD DIST. NO. 7 | ILLINOIS | FED. AID PROJECT | Contract Number: 74301 | | |



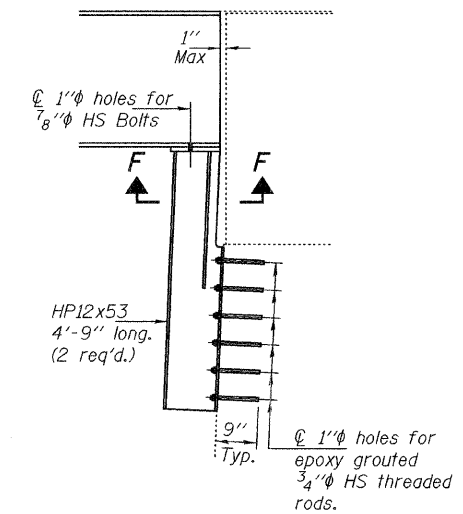
SECTION B-B



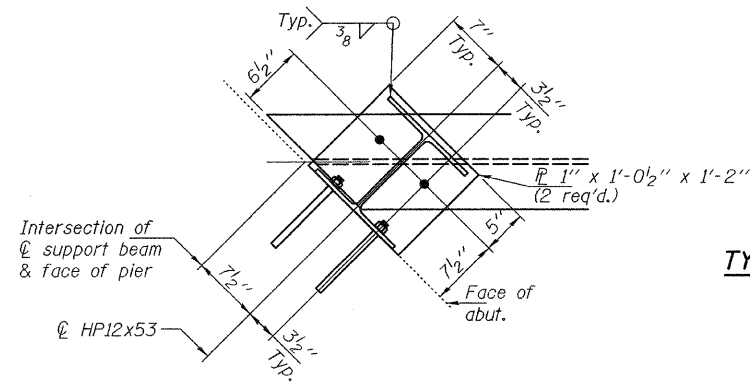
SECTION A-A



SECTION D-D

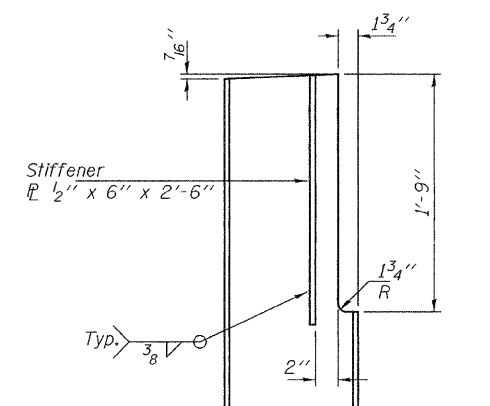


SECTION C-C

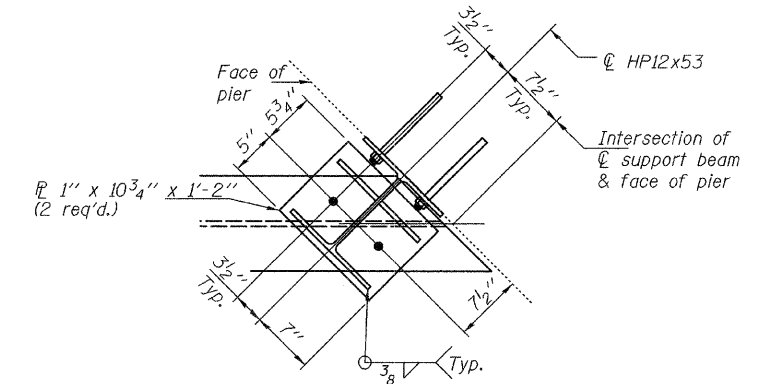


SECTION E-E

TYPICAL HP SLOPE CUT AT ABUTMENT



PARTIAL HP SECTION AT PIER



SECTION F-F

| | |
|----------|---------|
| DESIGNED | VHV |
| CHECKED | AJB |
| DRAWN | baliva |
| CHECKED | VHV AJB |

FEBRUARY 22, 2008
EXAMINED *Carl Perry*
ENGINEER OF STRUCTURAL SERVICES
PASSED *Ralph E. Anderson*
ENGINEER OF BRIDGES AND STRUCTURES

REPAIR DETAILS
FAP 828 OVER LONG POINT CREEK
CUMBERLAND COUNTY
SN 018-0012