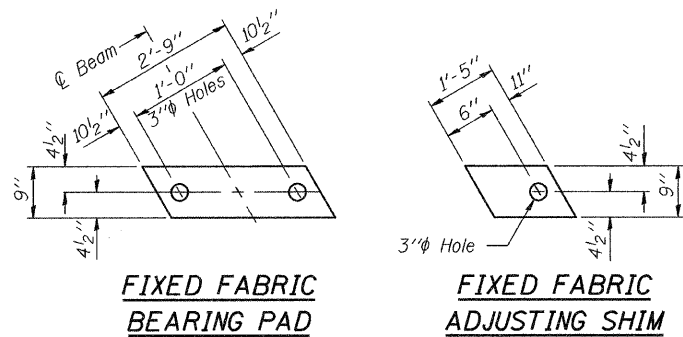


STATE OF ILLINOIS
DEPARTMENT OF TRANSPORTATION

ROUTE NO.	SECTION	COUNTY	TOTAL SHEETS	SHEET NO.	SHEET NO. 2 4 SHEETS
		MOULTRIE & SHELBY	8	6	
FED. ROAD DIST. NO. 7		ILLINOIS	FED. AID PROJECT		

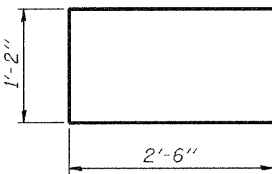
Contract Number: 74302



FIXED FABRIC BEARING PAD

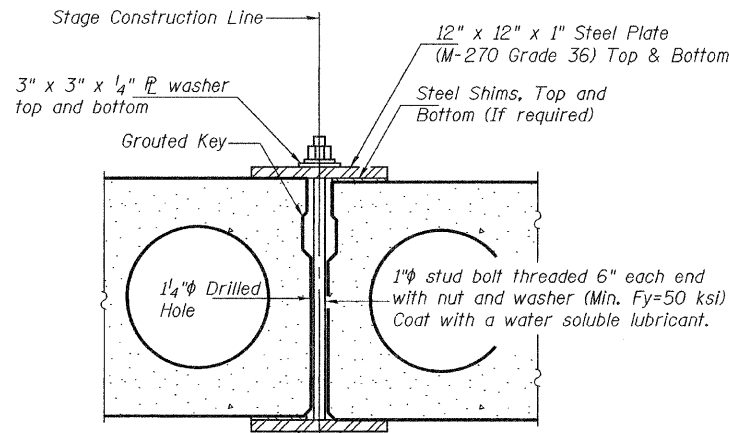
(Expansion Bearing Pads and Adjusting Shims similar without holes)

FIXED FABRIC ADJUSTING SHIM

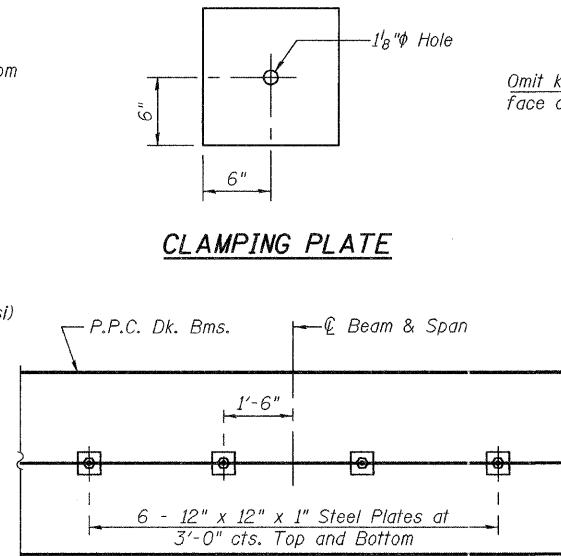


BAR U1

Notes:
See Special Provisions For Stage Construction Precast Prestressed Concrete Deck Beams.
See Stage Construction Detail for Traffic Lane.
Cost is included with Precast Prestressed Concrete Deck Beams.



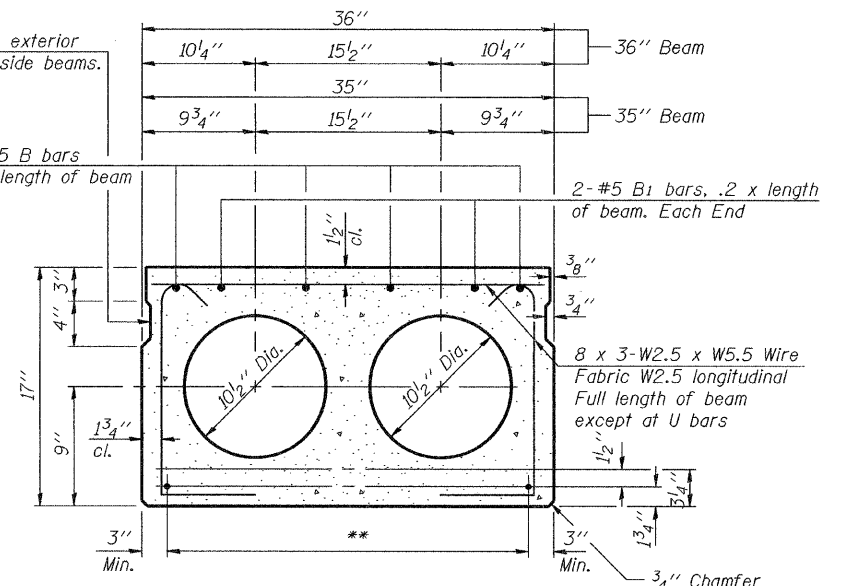
SECTION



CLAMPING PLATE

Omit key on exterior face of outside beams.

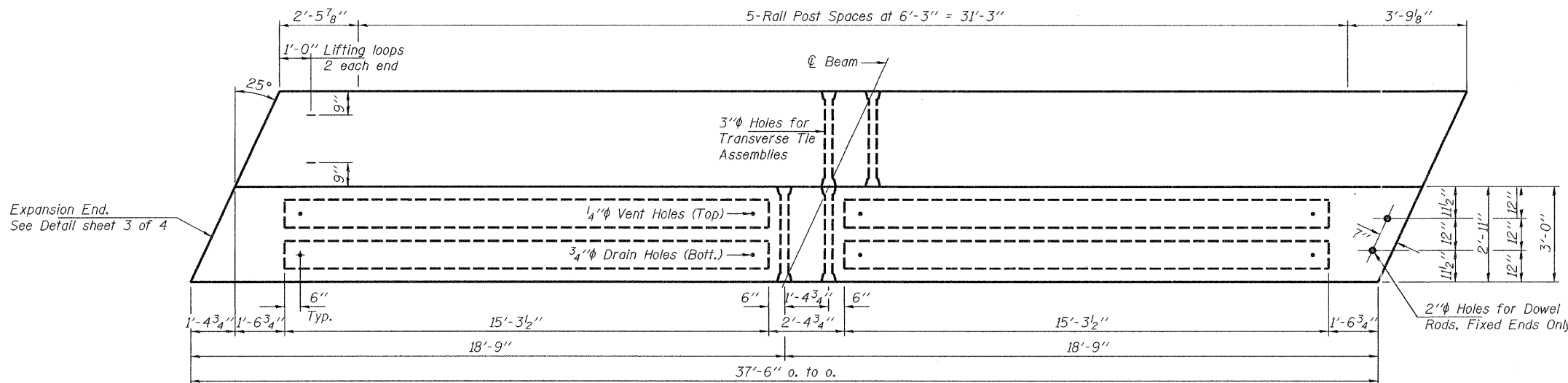
4-#5 B bars Full length of beam



TYPICAL SECTION

11-1/2" Strands, Each Strand Stressed to 30,900 Lbs.
9-Strands 1 3/4" up, 2-Strands 12" up

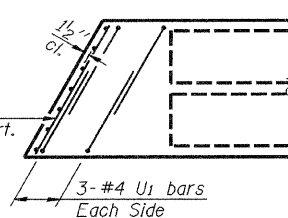
Note:
Place strands symmetrically about centerline of beam.



PLAN

Expansion End. See Detail sheet 3 of 4

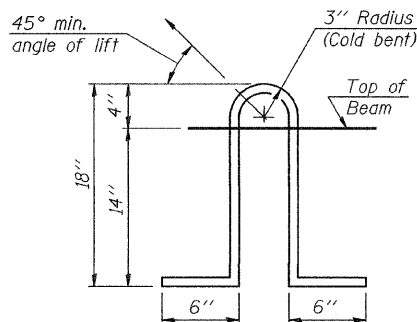
8 x 3-W2.5 x W5.5 Wire Fabric, W5.5 vert. Full depth of beam. Each End.



END PLAN

DESIGNED	ATH
CHECKED	AJB
DRAWN	Steffen
CHECKED	ATH AJB

MARCH 3, 2008
EXAMINED *Carl Perry*
ENGINEER OF STRUCTURAL SERVICES
PASSED *Ralph E. Anderson*
ENGINEER OF BRIDGES AND STRUCTURES



LIFTING LOOP DETAIL

NOTES

Prestressing steel shall be uncoated high strength, low relaxation 7-wire strand, Grade 270. The nominal diameter shall be 1/2" and the nominal cross-sectional area shall be 0.153 sq. in. Lifting loops shall be 2-1/2" 270 ksi strands, as shown. The 1" rods in the transverse tie assembly shall be tightened to a snug fit and the threads set. Pockets that receive transverse tie bar on outside shall be filled with grout after transverse tie assembly is in place. Non prestressing steel shall conform to ASTM A 706 (IL MOD), Grade 60. The bearing seat surfaces shall be adjusted by shimming to assure firm and even bearing. Two 1/8" fabric adjusting shims of the dimensions shown shall be provided for each bearing. Keyway surfaces shall be cleaned to remove form oil or other bond breaking material prior to shipment of the beams. Cleaning shall be done by sandblasting the keyway areas between top of the beam and the bottom edge of the key. Corrosion Inhibitor, per Article 1020.05(b)(12) of the Standard Specifications, shall be used in the concrete for precast prestressed concrete deck beams. Required Release Strength, f'ci, shall be 4000 p.s.i.

**** TRANSVERSE PLACEMENT GUIDELINES**

1. Place strands symmetrically about centerline of beam.
2. The minimum distance from center to center of strands in all directions shall be 2".
3. The minimum clearance from strand to dowel hole shall be 1/2".
4. The minimum clearance from strand to void shall be 1/2".

Vertical placement of strands shall not be adjusted to satisfy the above guidelines.

BILL OF MATERIAL

Precast Prestressed Conc. Deck Bms.	Sq. Ft.	222
-------------------------------------	---------	-----

REPAIR DETAILS

OVER BRUSH CREEK
MOULTRIE & SHELBY COUNTIES
SN 070-0018