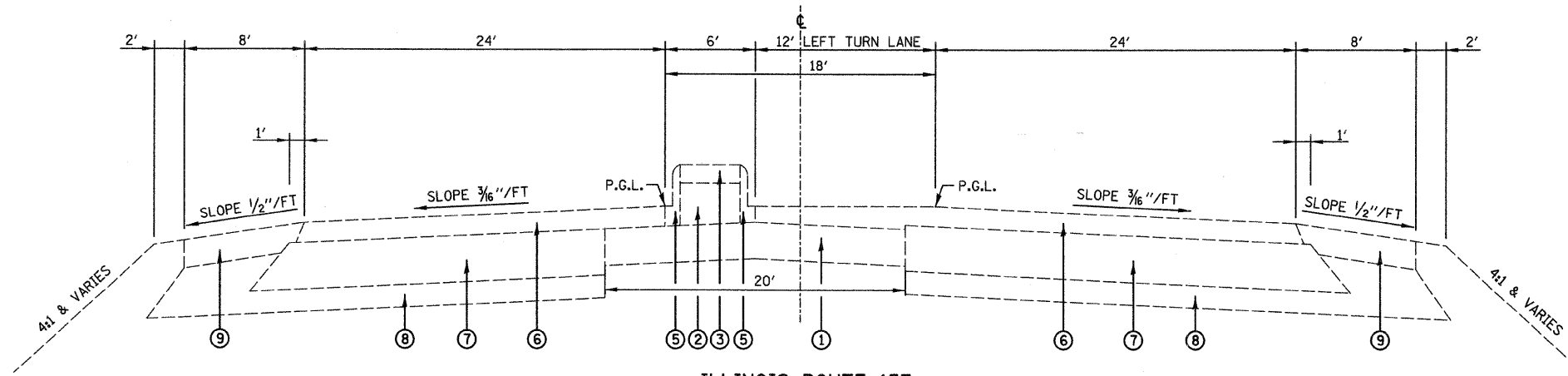


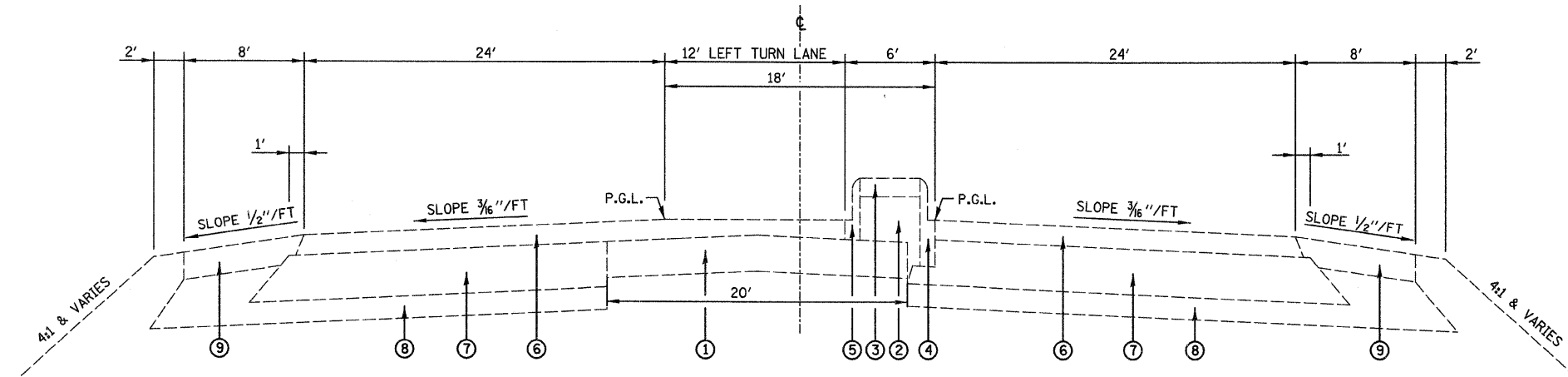
FAP ROUTE	SECTION	COUNTY	TOTAL SHEETS	SHEET NO
592	121-1R, 121HVB	ST CLAIR	239	12

EXISTING TYPICAL SECTIONS - IL RTE 157



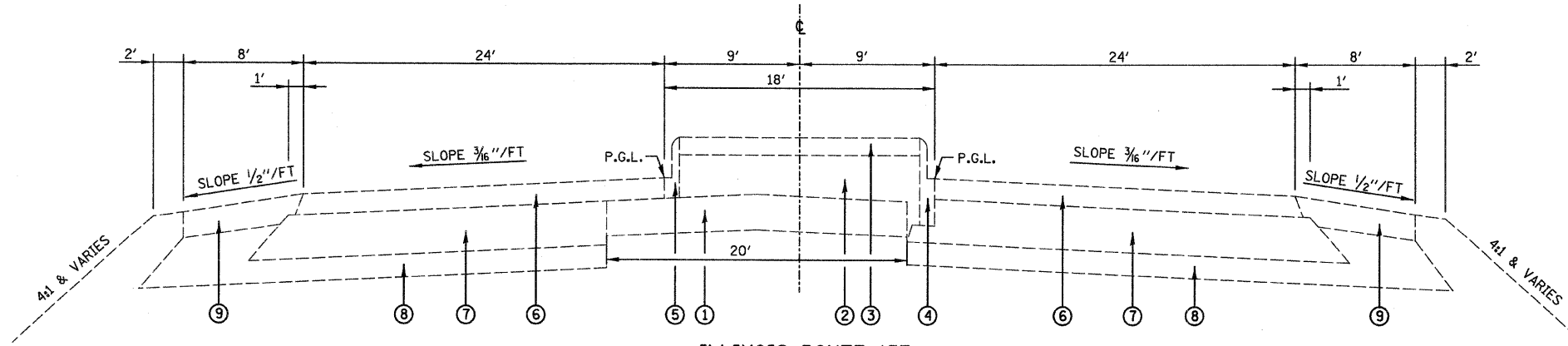
ILLINOIS ROUTE 157
 STA. 1033+76 TO STA. 1035+76
 STA. 1048+30 TO STA. 1049+29
 STA. 1059+82 TO STA. 1061+72
 STA. 1082+01 TO STA. 1083+00

NOTE: STATIONING IS BASED ON EXISTING IL RTE. 157 STATIONING AS DENOTED ON PLANS.



ILLINOIS ROUTE 157
 STA. 1023+63 TO STA. 1025+98
 STA. 1050+20 TO STA. 1051+49
 STA. 1062+40 TO STA. 1063+40
 STA. 1083+95 TO STA. 1084+94

NOTE: STATIONING IS BASED ON EXISTING IL RTE. 157 STATIONING AS DENOTED ON PLANS.



ILLINOIS ROUTE 157
 STA. 1010+42 TO STA. 1022+94
 STA. 1026+97 TO STA. 1029+80
 R.R. OMISSION STA. 1029+80 TO 1030+03
 STA. 1030+03 TO STA. 1031+50

NOTE: STATIONING IS BASED ON EXISTING IL RTE. 157 STATIONING AS DENOTED ON PLANS.

LEGEND

- ① EXISTING P.C.C. PAVEMENT
- ② EXISTING COMPACTED EARTH
- ③ EXISTING P.C. CONCRETE MEDIAN SURFACE, ±4"
- ④ EXISTING COMB. CONC. CURB & GUTTER TYPE B 9.06
- ⑤ EXISTING COMB. CONC. CURB & GUTTER TYPE B 9.06 (MODIFIED)
- ⑥ EXISTING BIT. CONC. SURFACE & BIND. CSE., ±4 1/2"
- ⑦ EXISTING STABILIZED BASE COURSE, ± 10"
- ⑧ EXISTING SUB-BASE GRANULAR MATERIAL TYPE A, ±4"
- ⑨ EXISTING STABILIZED SHOULDER B.A.M., ±6"
- ⑩ EXISTING P.C.C. PAVEMENT, ±8"
- ⑪ EXISTING CONCRETE MEDIAN TYPE SM-6.12
- ⑫ EXISTING CORRUGATED CONCRETE MEDIAN
- ⑬ EXISTING COMB. CONC. CURB & GUTTER TYPE B-6.24
- ⑭ EXISTING CONCRETE CURB, 6"
- ⑮ EXISTING P.C.C. SIDEWALK
- ⑯ EXISTING BITUMINOUS PAVEMENT
- ⑰ EXISTING CONC. V-GUTTER
- ⑱ EXISTING GRASS MEDIAN
- ⑲ PROPOSED HOT-MIX ASPHALT SURFACE REMOVAL, 1 1/2"
- ⑳ PROPOSED POLYMERIZED HOT-MIX ASPHALT SURFACE COURSE, MIX "D", N90, 1 1/2"
- ㉑ PROPOSED HOT-MIX ASPHALT (FULL-DEPTH), 14 1/4" [1]
- ㉒ PROPOSED HOT-MIX ASPHALT SHOULDERS, 14 1/4"
- ㉓ PROPOSED LIME MODIFIED SOIL, 12"
- ㉔ PROPOSED SUB-BASE GRANULAR MATERIAL, TYPE C
- ㉕ PROPOSED CONCRETE MEDIAN, 6"
- ㉖ PROPOSED CONCRETE MEDIAN SURFACE, 4"
- ㉗ PROPOSED COMBINATION CONCRETE CURB AND GUTTER, TYPE B-6.24
- ㉘ PROPOSED COMBINATION CONCRETE CURB AND GUTTER, TYPE B-6.12
- ㉙ PROPOSED P.C.C. SIDEWALK, 6" SPECIAL
- ㉚ PROPOSED P.C.C. BRIDGE APPROACH PAVEMENT, 15"
- ㉛ PROPOSED SUB-BASE GRANULAR MATERIAL, TYPE A, 4"
- ㉜ PROPOSED HOT-MIX ASPHALT PAVEMENT (FULL-DEPTH), 9 1/2" [1]
- ㉝ PROPOSED P.C.C. CORRUGATED MEDIAN
- ㉞ PROPOSED HOT-MIX ASPHALT PAVEMENT (FULL-DEPTH), 8 1/2" [1]
- ㉟ PROPOSED HOT-MIX ASPHALT PAVEMENT (FULL-DEPTH), 7" [1]
- ㊱ PROPOSED HOT-MIX ASPHALT SHOULDER, 6"
- ㊲ PROPOSED COMBINATION CONCRETE CURB AND GUTTER TYPE M-2.18
- ㊳ PROPOSED COMBINATION CONCRETE CURB AND GUTTER TYPE M-2.24
- ㊴ PROPOSED LEVELING BINDER, N90 (VARIABLE DEPTH)
- ㊵ PROPOSED HOT-MIX ASPHALT SURFACE REMOVAL (VARIABLE DEPTH)
- ㊶ PROPOSED CONCRETE MEDIAN, TYPE SB-6 (SPECIAL)
- ㊷ PROPOSED AGGREGATE SHOULDER, TYPE B, 8"
- ㊸ PROPOSED BITUMINOUS MATERIALS (PRIME COAT)
- ㊹ PROPOSED AGGREGATE (PRIME COAT)
- ㊺ PROPOSED P.C.C. SIDEWALK, 4"
- ㊻ PROPOSED HOT-MIX ASPHALT SHOULDERS, 1 1/2"

[1] NOTE: THE TOP 2" OF FULL DEPTH HOT-MIX ASPHALT SHALL MEET THE REQUIREMENTS OF "POLYMERIZED HOT-MIX ASPHALT SURFACE COURSE, MIXTURE D, N90." THE REMAINDER SHALL MEET THE REQUIREMENTS OF "HOT-MIX ASPHALT BINDER COURSE, IL-19.0, N90."

REVISIONS	
NAME	DATE

ILLINOIS DEPARTMENT OF TRANSPORTATION
TYPICAL SECTIONS
 (EXISTING)
IL ROUTE 157
 FAP ROUTE 592
 SECTION 121-1R, 121HVB
 ST. CLAIR COUNTY
 DRAWN BY:

PLOT DATE = 03/21/2007
 FILE NAME = H:\P\21015\Microstat\Design\pl\062.dgn
 PLOT SCALE = 50.0000' / IN.
 USER NAME = GUSE76