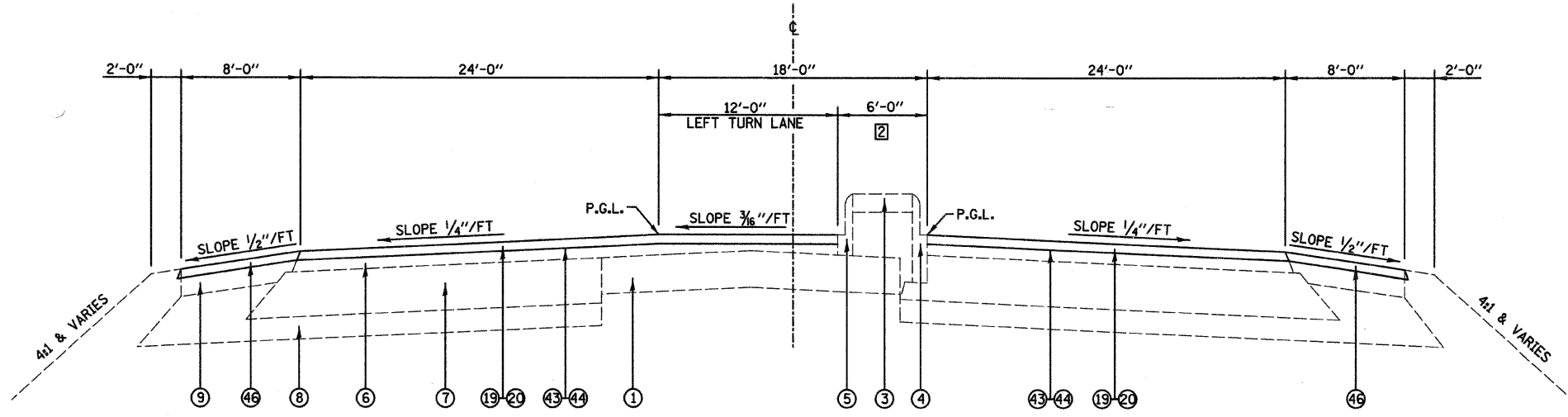
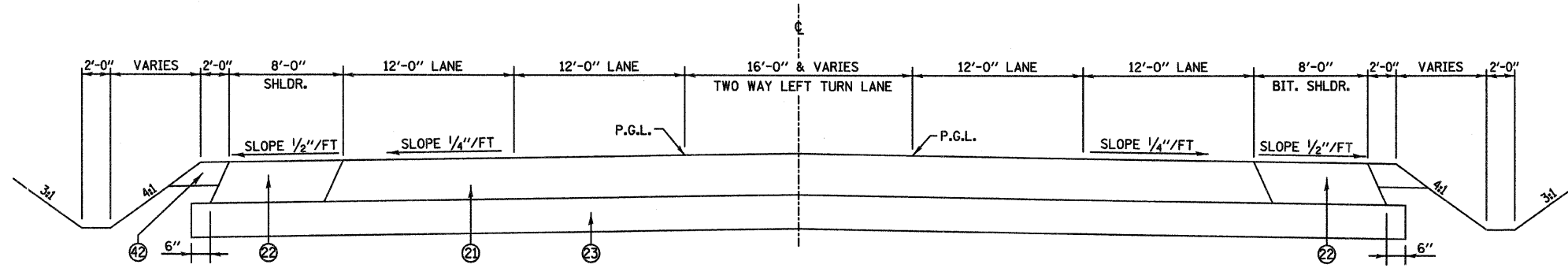


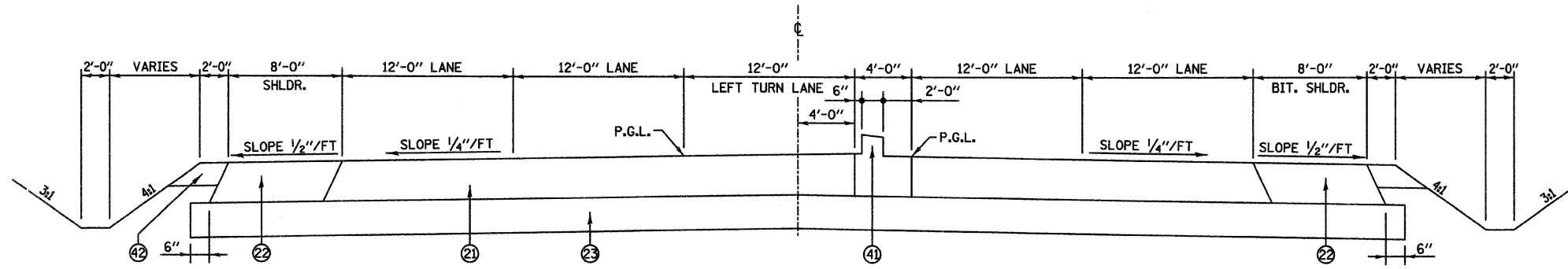
| FAP ROUTE | SECTION | COUNTY | TOTAL SHEETS | SHEET NO |
|--|----------------|----------|--------------|----------|
| 592 | 121-1R, 121HVB | ST CLAIR | 239 | 19 |
| STA. 5037+56.03 TO STA. 5085+56.50 | | | | |
| PROPOSED TYPICAL SECTIONS - IL RTE 157 | | | | |



ILLINOIS ROUTE 157
 STA. 5050+82.72 TO STA. 5052+11.57
 STA. 5063+02.20 TO STA. 5064+02.10
 STA. 5084+57.86 TO STA. 5085+56.50



ILLINOIS ROUTE 157
 STA. 5049+44.88 TO STA. 5050+00.00



ILLINOIS ROUTE 157
 STA. 5037+58.79 TO STA. 5041+26.77

LEGEND

- ① EXISTING P.C.C. PAVEMENT
- ② EXISTING COMPACTED EARTH
- ③ EXISTING P.C. CONCRETE MEDIAN SURFACE, ±4"
- ④ EXISTING COMB. CONC. CURB & GUTTER TYPE B 9.06
- ⑤ EXISTING COMB. CONC. CURB & GUTTER TYPE B 9.06 (MODIFIED)
- ⑥ EXISTING BIT. CONC. SURFACE & BIND. CSE., ±4 1/2"
- ⑦ EXISTING STABILIZED BASE COURSE, ± 10"
- ⑧ EXISTING SUB-BASE GRANULAR MATERIAL TYPE A, ±4"
- ⑨ EXISTING STABILIZED SHOULDER B.A.M., ±6"
- ⑩ EXISTING P.C.C. PAVEMENT, ±8"
- ⑪ EXISTING CONCRETE MEDIAN TYPE SM-6.12
- ⑫ EXISTING CORRUGATED CONCRETE MEDIAN
- ⑬ EXISTING COMB. CONC. CURB & GUTTER TYPE B-6.24
- ⑭ EXISTING CONCRETE CURB, 6"
- ⑮ EXISTING P.C.C. SIDEWALK
- ⑯ EXISTING BITUMINOUS PAVEMENT
- ⑰ EXISTING CONC. V-GUTTER
- ⑱ EXISTING GRASS MEDIAN
- ⑲ PROPOSED HOT-MIX ASPHALT SURFACE REMOVAL, 1 1/2"
- ⑳ PROPOSED POLYMERIZED HOT-MIX ASPHALT SURFACE COURSE, MIX "D", N90, 1 1/2"
- ㉑ PROPOSED HOT-MIX PAVEMENT (FULL-DEPTH), 14 1/4" [1]
- ㉒ PROPOSED HOT-MIX ASPHALT SHOULDERS, 14 1/4"
- ㉓ PROPOSED LIME MODIFIED SOIL, 12"
- ㉔ PROPOSED SUB-BASE GRANULAR MATERIAL, TYPE C
- ㉕ PROPOSED CONCRETE MEDIAN, 6"
- ㉖ PROPOSED CONCRETE MEDIAN SURFACE, 4"
- ㉗ PROPOSED COMBINATION CONCRETE CURB AND GUTTER, TYPE B-6.24
- ㉘ PROPOSED COMBINATION CONCRETE CURB AND GUTTER, TYPE B-6.12
- ㉙ PROPOSED P.C.C. SIDEWALK, 6" SPECIAL
- ㉚ PROPOSED P.C.C. BRIDGE APPROACH PAVEMENT, 15"
- ㉛ PROPOSED SUB-BASE GRANULAR MATERIAL, TYPE A, 4"
- ㉜ PROPOSED HOT-MIX ASPHALT PAVEMENT (FULL-DEPTH), 9 1/2" [1]
- ㉝ PROPOSED P.C.C. CORRUGATED MEDIAN
- ㉞ PROPOSED HOT-MIX ASPHALT PAVEMENT (FULL-DEPTH), 8 1/2" [1]
- ㉟ PROPOSED HOT-MIX ASPHALT PAVEMENT (FULL-DEPTH), 7" [1]
- ㊱ PROPOSED HOT-MIX ASPHALT SHOULDER, 6"
- ㊲ PROPOSED COMBINATION CONCRETE CURB AND GUTTER TYPE M-2.18
- ㊳ PROPOSED COMBINATION CONCRETE CURB AND GUTTER TYPE M-2.24
- ㊴ PROPOSED LEVELING BINDER, N90 (VARIABLE DEPTH)
- ㊵ PROPOSED HOT-MIX ASPHALT SURFACE REMOVAL (VARIABLE DEPTH)
- ㊶ PROPOSED CONCRETE MEDIAN, TYPE SB-6 (SPECIAL)
- ㊷ PROPOSED AGGREGATE SHOULDER, TYPE B, 8"
- ㊸ PROPOSED BITUMINOUS MATERIALS (PRIME COAT)
- ㊹ PROPOSED AGGREGATE (PRIME COAT)
- ㊺ PROPOSED P.C.C. SIDEWALK, 4"
- ㊻ PROPOSED HOT-MIX ASPHALT SHOULDERS, 1 1/2"

- [1] NOTE: THE TOP 2" OF FULL DEPTH HOT-MIX ASPHALT SHALL MEET THE REQUIREMENTS OF "POLYMERIZED HOT-MIX ASPHALT SURFACE COURSE, MIXTURE D, N90." THE REMAINDER SHALL MEET THE REQUIREMENTS OF "HOT-MIX ASPHALT BINDER COURSE, IL-19.0, N90."
- [2] STA 5050+83 TO 5052+12 - SEE MEDIAN REMOVAL DETAIL ON MISCELLANEOUS DETAILS - SHEET 161

| REVISIONS | |
|-----------|------|
| NAME | DATE |
| | |
| | |
| | |
| | |
| | |

ILLINOIS DEPARTMENT OF TRANSPORTATION
PROPOSED TYPICAL SECTIONS
IL ROUTE 157
 FAP ROUTE 592
 SECTION 121-1R, 121HVB
 ST. CLAIR COUNTY
 DRAWN BY:

PLOT DATE = 03/21/2007
 FILE NAME = H:\P\21015\Microstat\Design\11402a.dgn
 PLOT SCALE = 50.0000 / 1 IN.
 USER NAME = #USER#