

F.A.P. RTE.	SEC.	COUNTY	TOTAL SHEETS	SHEET NO.
592	121-1R, 121HV/B	ST. CLAIR	239	144
F.H.W.A. REGION 7		ILLINOIS FED. AID PROJECT		

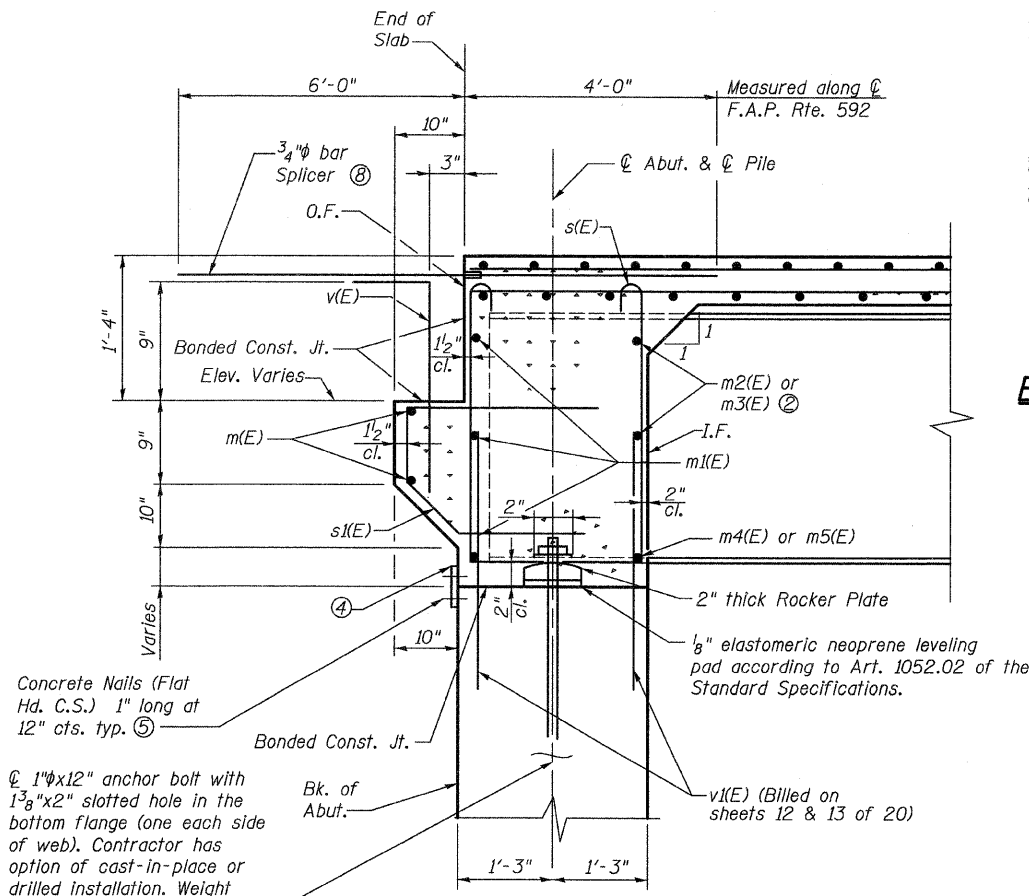
SHEET NO. 8
SHEETS: 23

STATE OF ILLINOIS
DEPARTMENT OF TRANSPORTATION

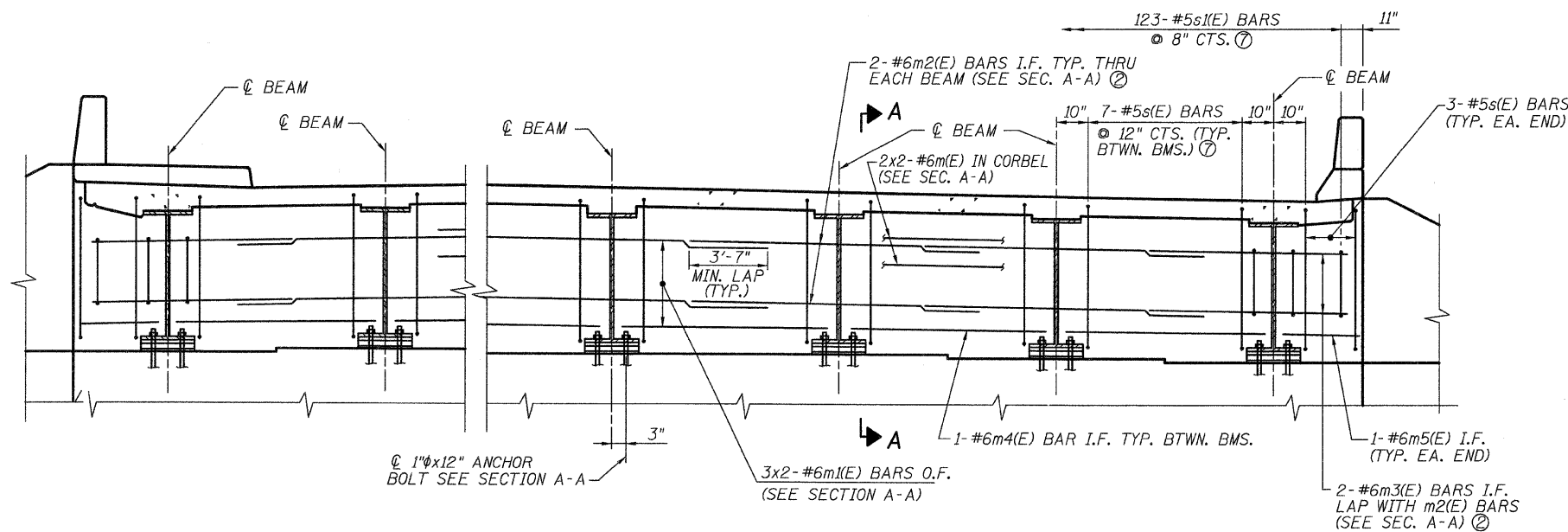
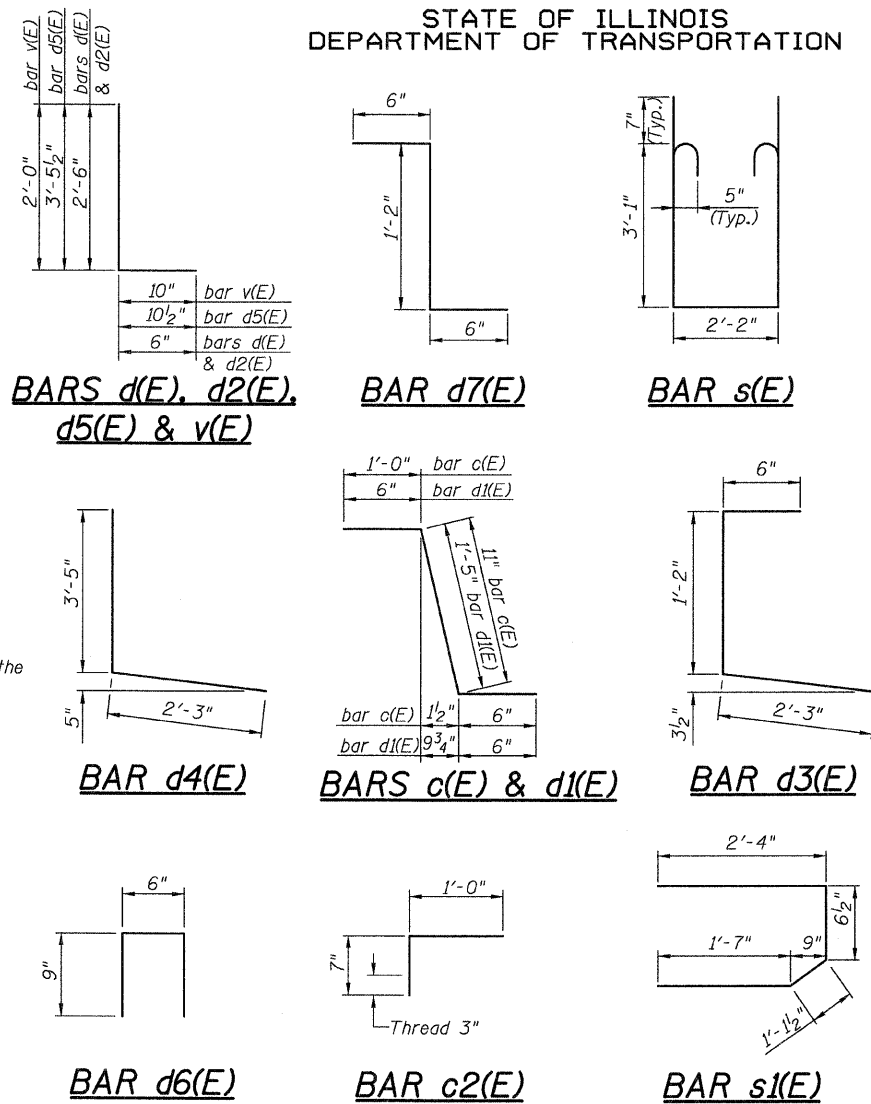
BILL OF MATERIAL

Bar	No.	Size	Length	Shape	
a(E)	330	#5	45'-11"		
a1(E)	330	#5	38'-3"		
a2(E)	494	#5	41'-9"		
a3(E)	8	#5	42'-4"		
a4(E)	330	#6	4'-6"		
b(E)	530	#5	34'-4"		
b1(E)	166	#6	35'-11"		
b2(E)	456	#5	28'-11"		
c(E)	166	#5	2'-5"		
c1(E)	166	#5	5'-8"		
c2(E)	332	#5	1'-7"		
c3(E)	166	#5	11'-8"		
d(E)	181	#5	3'-0"		
d1(E)	175	#5	2'-5"		
d2(E)	181	#4	3'-0"		
d3(E)	181	#4	3'-11"		
d4(E)	166	#4	5'-8"		
d5(E)	166	#6	4'-4"		
d6(E)	76	#4	2'-0"		
d7(E)	6	#5	2'-2"		
e(E)	24	#4	38'-10"		
e1(E)	48	#4	8'-3"		
e2(E)	24	#4	27'-5"		
e3(E)	4	#5	38'-10"		
e4(E)	8	#5	8'-3"		
e5(E)	4	#5	27'-3"		
e6(E)	4	#8	38'-10"		
e7(E)	8	#8	8'-3"		
e8(E)	4	#8	28'-5"		
m(E)	8	#6	42'-9"		
m1(E)	12	#6	43'-6"		
m2(E)	36	#6	11'-4"		
m3(E)	8	#6	8'-10"		
m4(E)	20	#6	7'-4"		
m5(E)	4	#6	2'-11"		
s(E)	152	#5	9'-6"		
s1(E)	246	#5	5'-7"		
v(E)	164	#5	2'-10"		
Reinforcement Bars, Epoxy Coated				Pound	110,630
Concrete Superstructure				Cu. Yd.	479.0
Bar Splicers				Each	160

- Notes:
- Reinforcement bars designated (E) shall be epoxy coated.
 - Place m2(E) and m3(E) bars through 1" drilled holes in steel beams.
 - For anchor bolt details, see sheet 17 of 20.
 - Fabric Reinforced Elastomeric Mat (See Special Provisions). Fabric mat shall be 12" wide, full length of abutment and sealed with mastic.
 - Included in the cost of Concrete Structures.
 - E.F. denotes each face
I.F. denotes inside face
O.F. denotes outside face
 - The s(E) and s1(E) bars shall be placed parallel to the beams. Spacing for these bars shall be at right angles to the beams.
 - For bar splicer details, see sheet 16 of 20.



SECTION A-A AT ABUTMENTS
(Dimensions at Rt. L's except as noted)



DIAPHRAGM AT ABUTMENT
(WEST ABUTMENT SHOWN LOOKING WEST,
EAST ABUTMENT OPPOSITE HAND)

SUPERSTRUCTURE DETAILS
F.A.P. 592 (IL Rte. 157) OVER
UNION PACIFIC RAILROAD
SECTION 121-1R, 121HV/B
ST. CLAIR COUNTY
STATION 5029+64.85
STRUCTURE NO. 082-0303