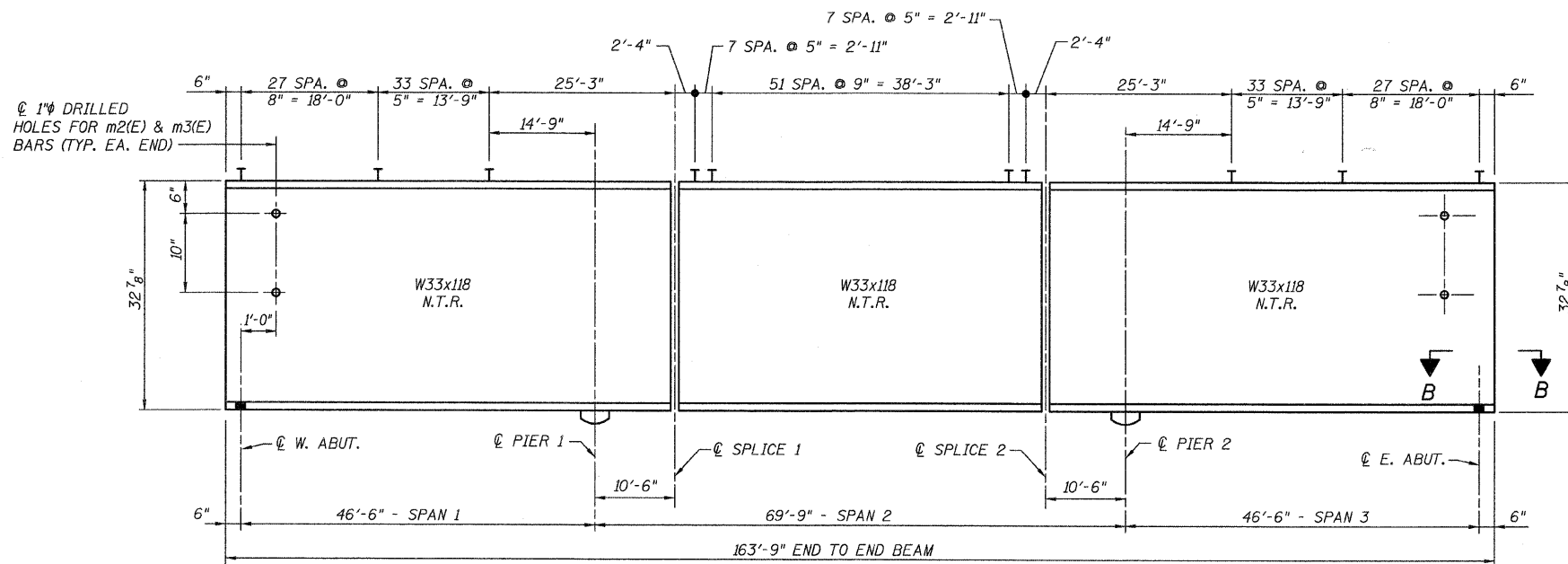


STATE OF ILLINOIS
DEPARTMENT OF TRANSPORTATION

F.A.P. RTE.	SEC.	COUNTY	TOTAL SHEETS	SHEET NO.
592	121-1R, 121HWB	ST. CLAIR	239	147
F.H.W.A. REGION 7		ILLINOIS	FED. AID PROJECT	

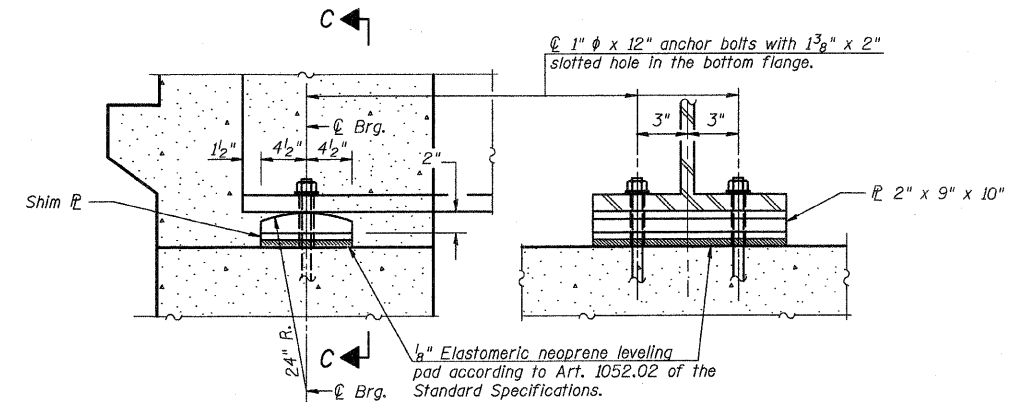
SHEET NO. 11
SHEETS: 23



BEAM ELEVATION

	TOP OF BEAM ELEVATIONS *										
	BEAM #1	BEAM #2	BEAM #3	BEAM #4	BEAM #5	BEAM #6	BEAM #7	BEAM #8	BEAM #9	BEAM #10	BEAM #11
W. ABUT.	441.62	441.79	441.95	442.12	442.29	442.46	442.30	442.15	442.00	441.85	441.69
PIER 1	441.86	442.02	442.18	442.34	442.51	442.67	442.51	442.35	442.20	442.04	441.88
SPLICE 1	441.91	442.07	442.23	442.39	442.56	442.72	442.56	442.40	442.24	442.08	441.93
SPLICE 2	441.88	442.04	442.20	442.35	442.51	442.67	442.50	442.34	442.18	442.01	441.85
PIER 2	441.82	441.97	442.13	442.29	442.44	442.60	442.43	442.27	442.10	441.94	441.77
E. ABUT.	441.53	441.68	441.83	441.99	442.14	442.29	442.12	441.95	441.78	441.61	441.44

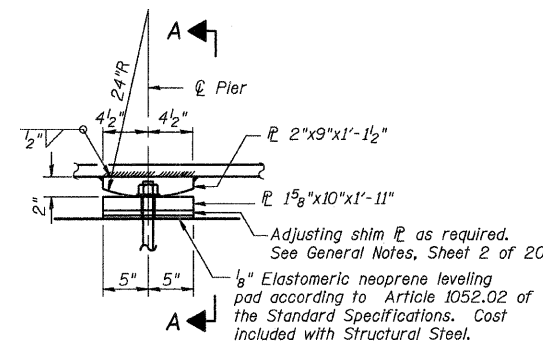
* FOR FABRICATION ONLY



ELEVATION AT ABUTMENT SECTION C-C

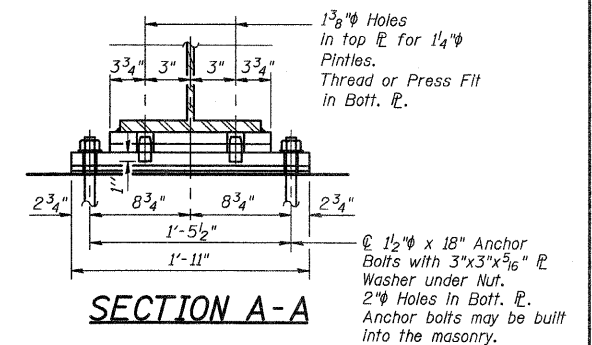
FIXED BEARING AT ABUTMENTS

(22) Required



ELEVATION AT PIERS

PINTLE

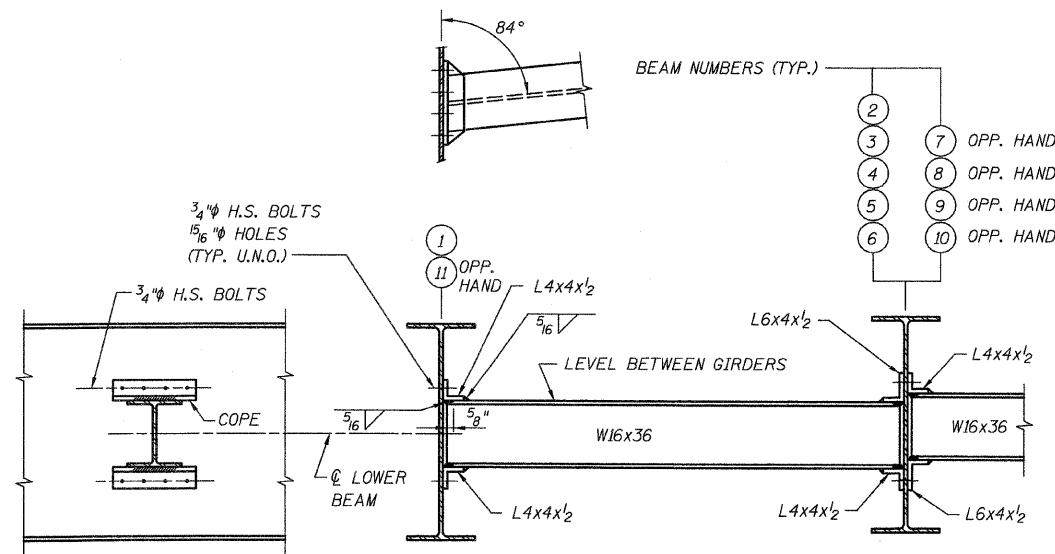


SECTION A-A

FIXED BEARING AT PIERS

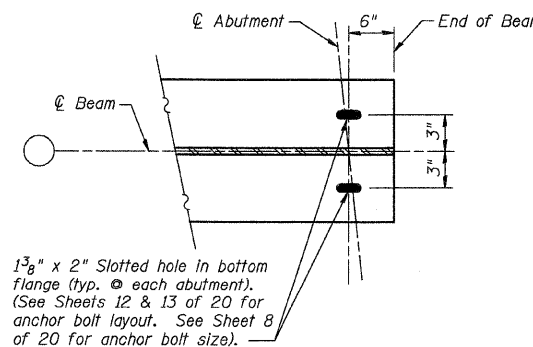
(22) Required

NOTE: ALL STRUCTURAL STEEL BEARING PLATES & PINTLES SHALL BE AASHTO M270 GRADE 50.

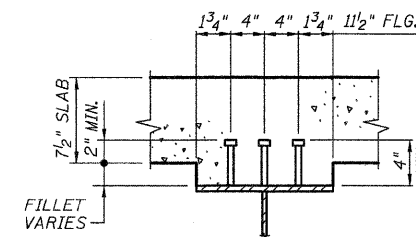


INTERIOR DIAPHRAGM D

ALL DIAPHRAGM BEAMS AND ANGLES SHALL BE AASHTO M270 GRADE 36 STEEL. (100 DIAPHRAGMS REQUIRED)



SECTION B-B



TYPICAL SHEAR STUD DETAIL

NOTES:

- BEAMS SHALL BE AASHTO M270 GRADE 50 STEEL.
- USE TWO HARDENED WASHERS PER BOLT FOR ALL OVERSIZED HOLES IN DIAPHRAGM CONNECTIONS.
- ALL STUDS TO BE 3/4" GRANULAR SOLID FLUX FILLED HEADED STUDS CONFORMING TO ART. 505.08 (m) OF THE STANDARD SPECIFICATIONS AUTOMATICALLY END WELDED TO FLANGE. (NO. REQ'D = 6204)
- N.T.R. INDICATES NOTCH TOUGHNESS REQUIREMENT.

BEAM AND BEARING DETAILS
F.A.P. 592 (IL Rte. 157) OVER
UNION PACIFIC RAILROAD
SECTION 121-1R, 121HWB
ST. CLAIR COUNTY
STATION 5029+64.85
STRUCTURE NO. 082-0303