

STATE OF ILLINOIS
DEPARTMENT OF TRANSPORTATION

F.A.P. ROUTE	SEC.	COUNTY	TOTAL SHEETS	SHEET NO.
592	121-1R, 121HB	ST. CLAIR	239	150

FED. ROAD DIST. NO. 7 ILLINOIS | FED. AID PROJECT

SHEET NO. 14
SHEETS: 23

BILL OF MATERIAL
(FOR TWO PIERS)

BAR	NO.	SIZE	LENGTH	SHAPE
h2(E)	312	#5	29'-3"	—
p1(E)	16	#9	44'-11"	—
p2(E)	8	#7	43'-3"	—
p3(E)	12	#5	18'-5"	—
p4(E)	6	#5	22'-9"	—
s(E)	140	#4	11'-5"	□
s1(E)	110	#5	5'-2"	□
u3(E)	16	#6	9'-6"	□
u4(E)	104	#5	8'-4"	□
v6(E)	332	#5	26'-3"	—

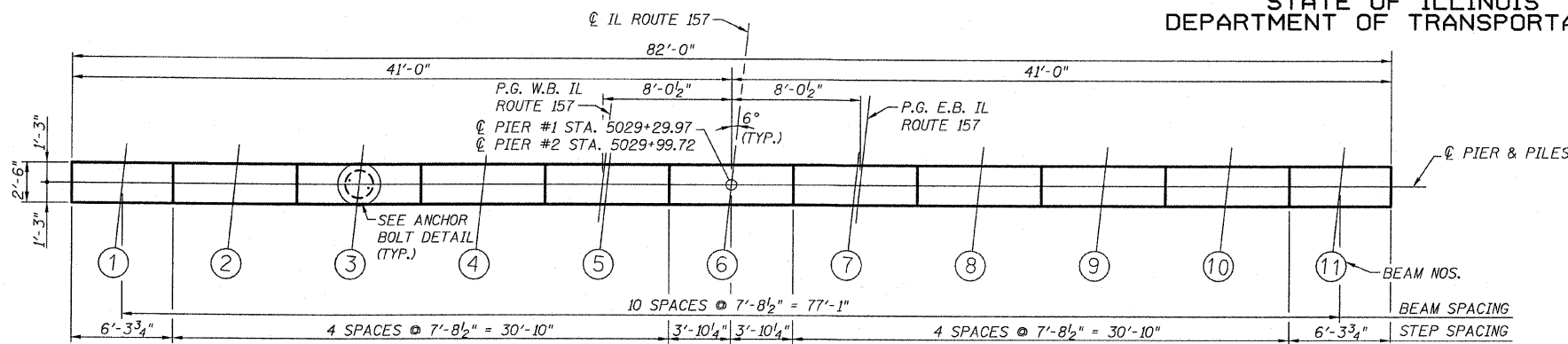
	PIER 1	PIER 2
CONCRETE STRUCTURES	Cu. Yd. 218.7	218.1
REINFORCEMENT BARS EPOXY COATED	Pound 12465	12465
FURNISHING METAL SHELL PILES 14" X 0.250"	Foot 1628	2068
TEST PILE METAL SHELL	Each 1	1
DRIVING PILES	Foot 1628	2068
STRUCTURE EXCAVATION	Cu. Yd. 96	96

ELEVATION	PIER 1	PIER 2
A	438.80	438.77
B	438.97	438.92
C	439.13	439.08
D	439.29	439.23
E	439.46	439.39
F	439.62	439.55
G	439.46	439.38
H	439.30	439.22
I	439.15	439.05
J	438.99	438.89
K	438.83	438.72

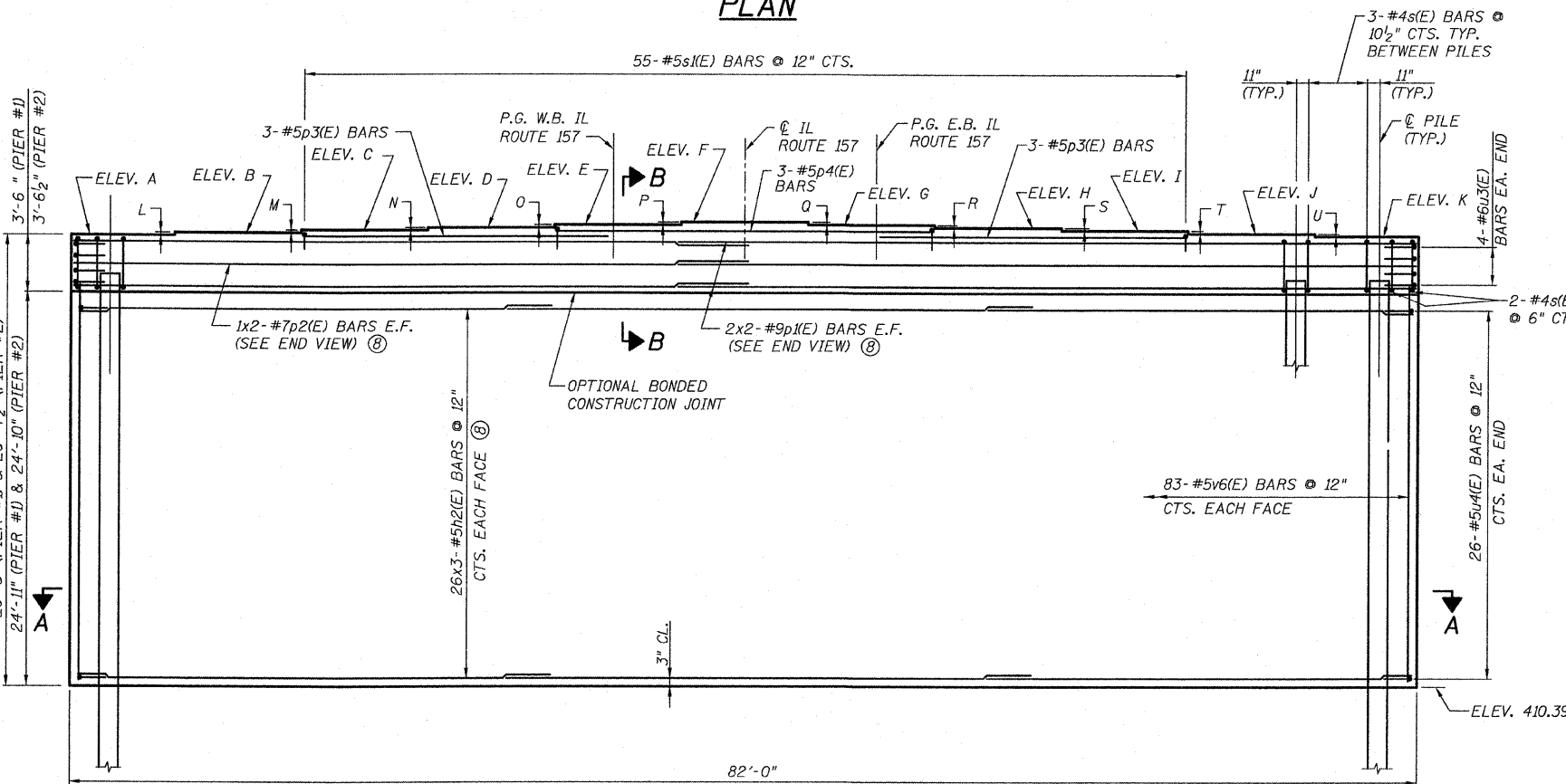
DIMENSION	PIER 1	PIER 2
L	1 7/8"	1 7/8"
M	2"	1 7/8"
N	2"	1 7/8"
O	1 7/8"	1 7/8"
P	2"	1 7/8"
Q	2"	2"
R	1 3/4"	2"
S	1 7/8"	1 7/8"
T	2"	2"
U	1 7/8"	2"

TABLE OF SEAT DIMENSIONS

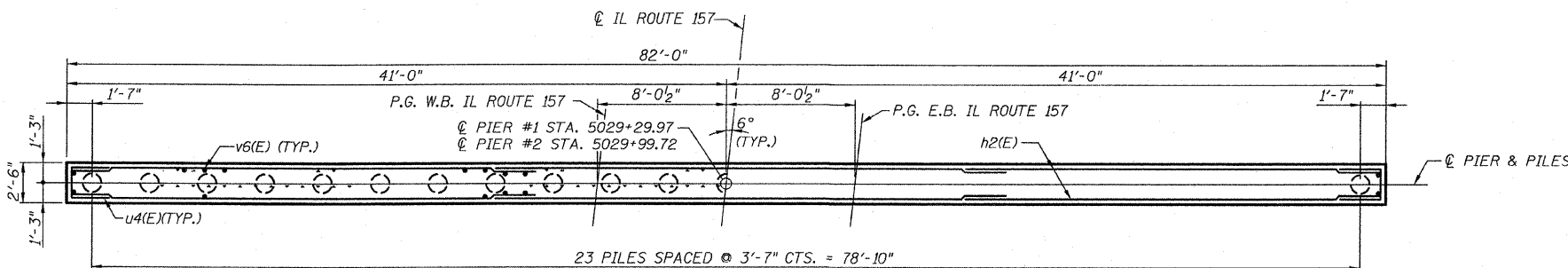
PIER DETAILS
F.A.P. 592 (IL Rte. 157) OVER
UNION PACIFIC RAILROAD
SECTION 121-1R, 121HB
ST. CLAIR COUNTY
STATION 5029+64.85
STRUCTURE NO. 082-0303



PLAN



ELEVATION
(LOOKING EAST)



SECTION A-A

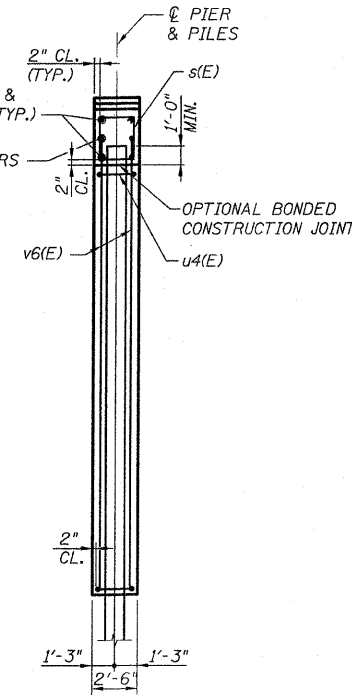
PILE DATA

TYPE & SIZE: METAL SHELL - 14" X 0.250" WALLS
NOMINAL REQUIRED BEARING: 390 kips
ALLOWABLE RESISTANCE AVAILABLE: 110 kips
EST. LENGTH: 74' @ PIER #1 & 94' @ PIER #2
NO. REQ'D: 22 PLUS ONE TEST PILE (EACH PIER)

BARS u3(E) & u4(E)

BAR s1(E)

BAR s(E)



END VIEW

SECTION B-B

TABLE OF ELEVATIONS

ANCHOR BOLT LAYOUT

NOTES:

- POUR STEPS MONOLITHICALLY WITH CAP.
- ALL EDGES SHALL HAVE STANDARD 3/4" CHAMFER.
- SPACE REINFORCEMENT IN CAP TO MISS ANCHOR BOLTS.
- E.F. DENOTES EACH FACE.
- REINFORCEMENT BARS DESIGNATED (E) SHALL BE EPOXY COATED.
- FOR METAL SHELL PILE DETAILS & REINFORCEMENT, SEE SHEET 15 OF 20.
- BAR LAPS - #5 BAR - 3'-0"
#7 BAR - 4'-10"
#9 BAR - 8'-1"
- BARS INDICATED THUS 26x2 DENOTES 26 LINES OF BARS WITH 2 LENGTHS PER LINE.

PLOT DATE = 3/5/2008
 FILE NAME = H:\P\21015\Microstat\Struct\0820303.pier-sh.dgn
 PLOT SCALE = 1/8" = 1'-0"
 USER NAME = 40587