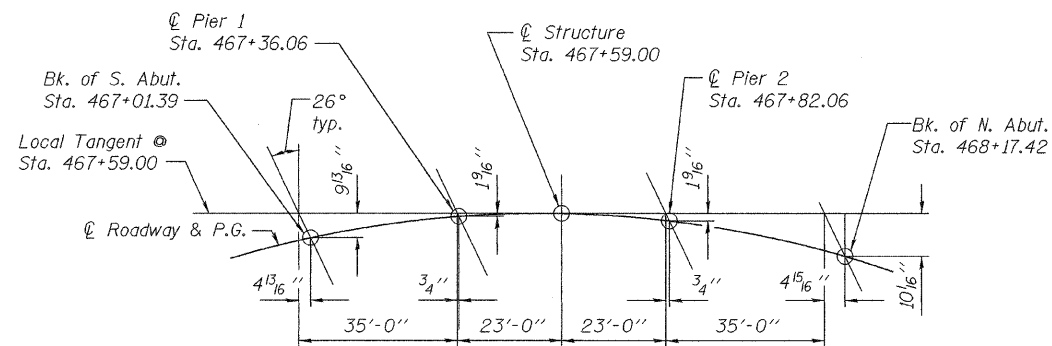


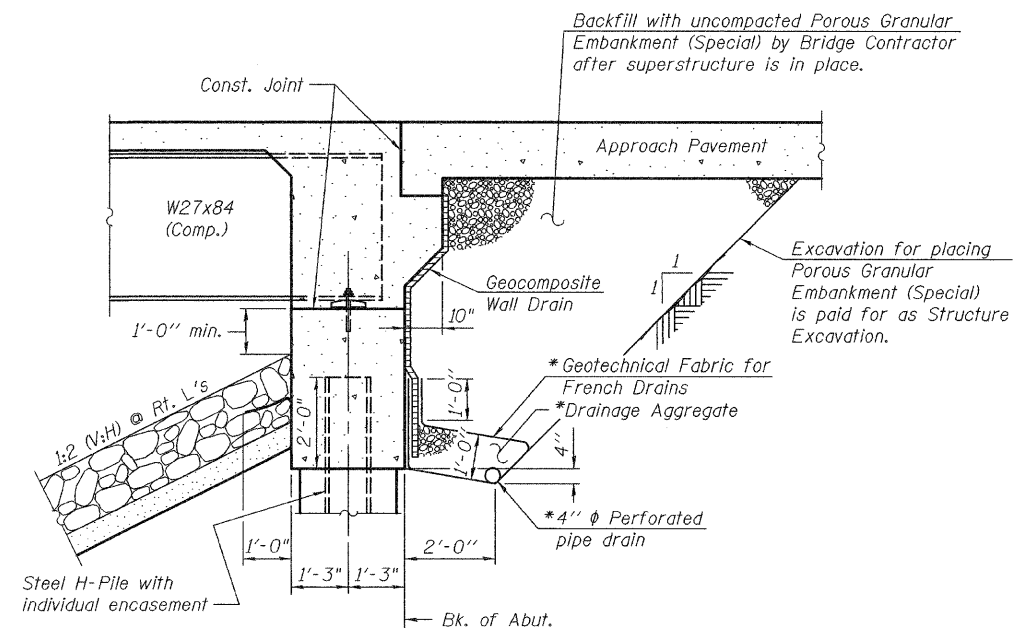
STATE OF ILLINOIS
DEPARTMENT OF TRANSPORTATION

ROUTE NO.	SECTION	COUNTY	TOTAL SHEETS	SHEET NO.	SHEET NO. 3
F.A.P. 304	5BR-2	CALHOUN	68	27	28 SHEETS
FED. ROAD DIST. NO. 7	ILLINOIS	FED. AID PROJECT-			

Contract #76948



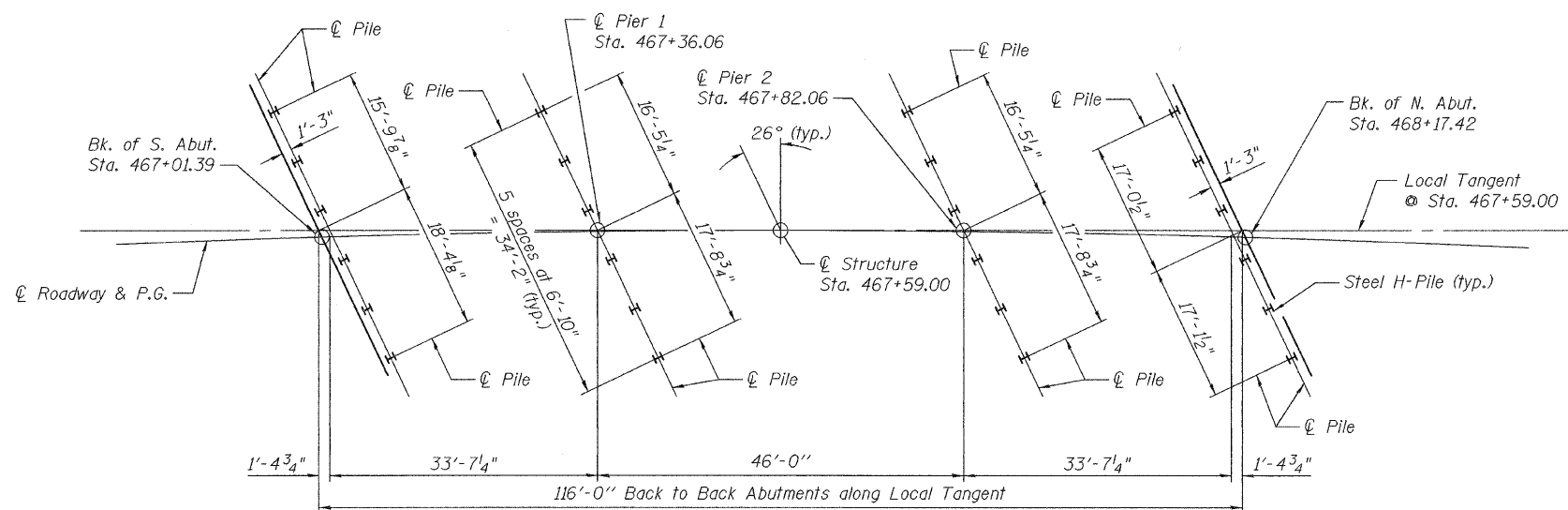
GEOMETRIC LAYOUT



SECTION THRU INTEGRAL ABUTMENT
(Horiz. dim. @ Rt. L's)

* Included in the cost of Pipe Underdrains for Structures 4".

Note:
All drainage system components shall extend to 2'-0" from the end of each wingwall except an outlet pipe shall extend until intersecting with the side slopes. The pipes shall drain into concrete headwalls. (See Article 601.05 of the Standard Specifications and Highway Standard 601101).



FOUNDATION LAYOUT

Note:
Pile encasement not shown for clarity.

DESIGNED	YSS
CHECKED	RLM
DRAWN	PRC
CHECKED	RLM



02/27/08

FOUNDATION LAYOUT
IL. ROUTE 100 OVER
CRAWFORD CREEK
F.A.P. ROUTE 304 - SECTION 5BR-2
CALHOUN COUNTY
STATION 467+59.00
STRUCTURE NO. 007-0027