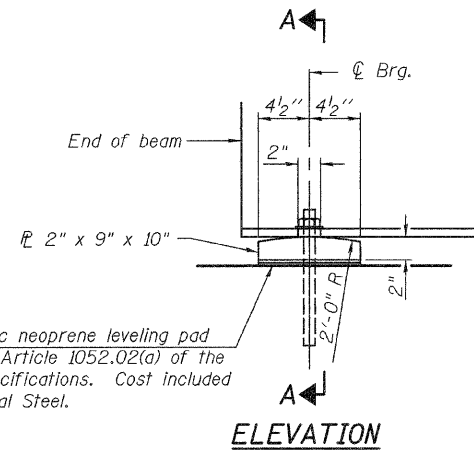


STATE OF ILLINOIS
DEPARTMENT OF TRANSPORTATION

ROUTE NO.	SECTION	COUNTY	TOTAL SHEETS	SHEET NO.	SHEET NO. 17
F.A.P. 304	5BR-2	CALHOUN	48	41	28 SHEETS
FED. ROAD DIST. NO. 7	ELLINOIS	FED. AID PROJECT-			

Contract #76948

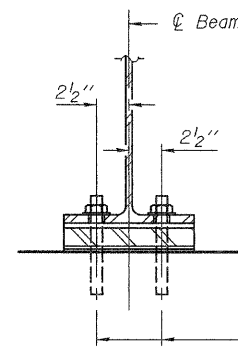


1/8" elastomeric neoprene leveling pad according to Article 1052.02(a) of the Standard Specifications. Cost included with Structural Steel.

ELEVATION

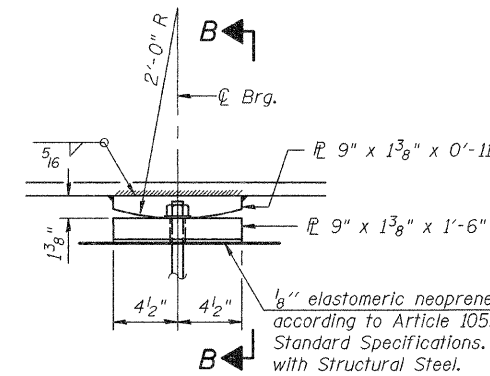
FIXED BEARING AT ABUTMENT

(12 Required)



1" ϕ x 12" anchor bolts (Grade 36) with 2 1/4" x 2 1/4" x 5/16" PL washer under nut. 1 3/8" x 2" slotted hole in flange. 1/2" ϕ holes in bearing plate.

SECTION A-A

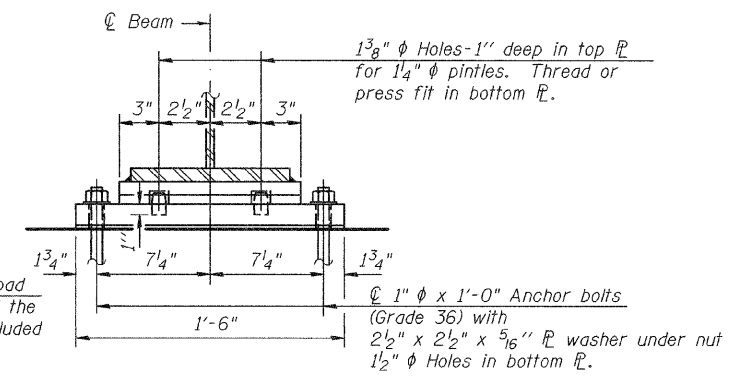


1/8" elastomeric neoprene leveling pad according to Article 1052.02(a) of the Standard Specifications. Cost included with Structural Steel.

ELEVATION

FIXED BEARING AT PIER

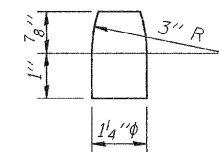
(12 Required)



1 3/8" ϕ Holes-1" deep in top PL for 1/4" ϕ pintles. Thread or press fit in bottom PL.

1" ϕ x 1'-0" Anchor bolts (Grade 36) with 2 1/2" x 2 1/2" x 5/16" PL washer under nut. 1/2" ϕ Holes in bottom PL.

SECTION B-B



PINTLE

(24 Required)

Notes:

Bearing plates and pintles shall be AASHTO M270 Grade 50.

Anchor bolts shall be ASTM F1554 all-thread (or an Engineer-approved alternate material) of the grade(s) and diameter(s) specified. ASTM A307 Grade C anchor bolts may be used in lieu of ASTM F1554 Grade 36 (Fy=36ksi). The corresponding specified grade of AASHTO M314 anchor bolts may be used in lieu of ASTM F1554.

Anchor bolts at fixed bearings may be either cast in place or installed in holes drilled after the supported member is in place.

Drilled and set anchor bolts shall be installed according to Article 521.06 of the Standard Specifications.

Two 1/8 in. adjusting shims shall be provided for each bearing in addition to all other plates or shims and placed as shown on bearing details.

BILL OF MATERIAL

Item	Unit	Total
Anchor Bolts, 1"	Each	48

DESIGNED	YSS
CHECKED	RLM
DRAWN	PRC
CHECKED	YSS



02/27/08

BEARING DETAILS
IL. ROUTE 100 OVER
CRAWFORD CREEK
F.A.P. ROUTE 304 - SECTION 5BR-2
CALHOUN COUNTY
STATION 467+59.00
STRUCTURE NO. 007-0027